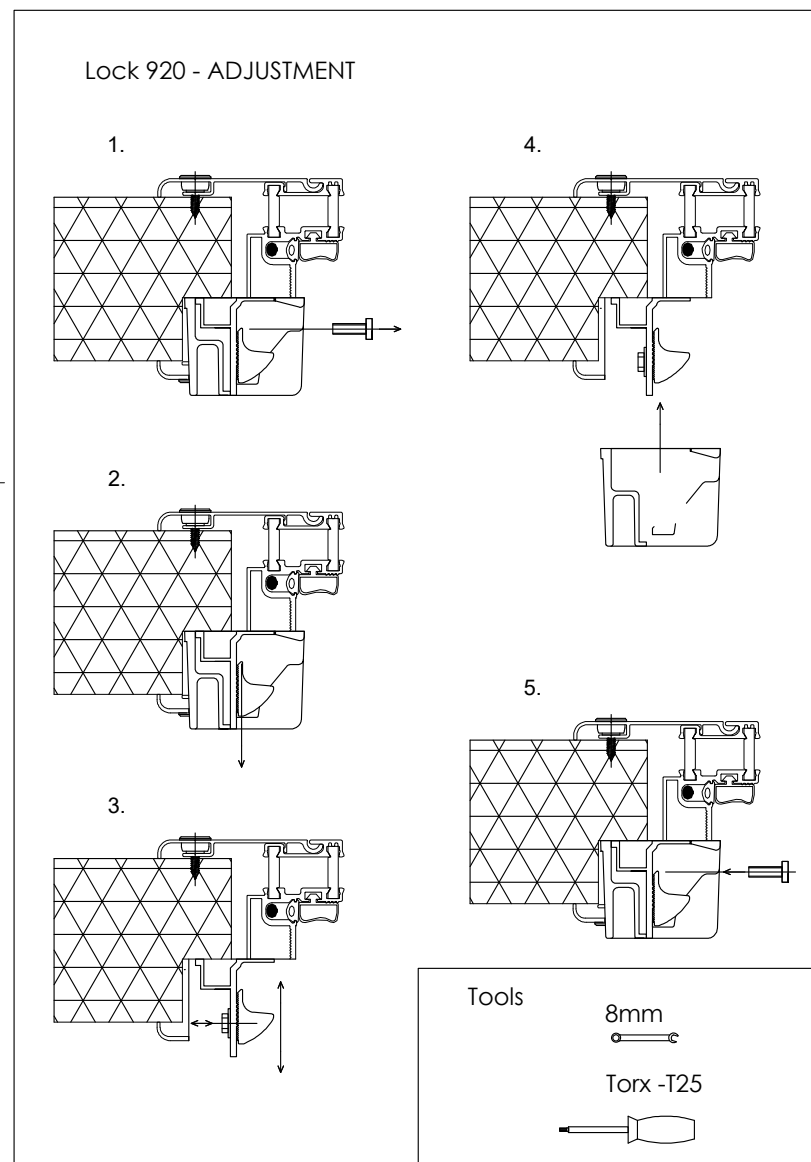
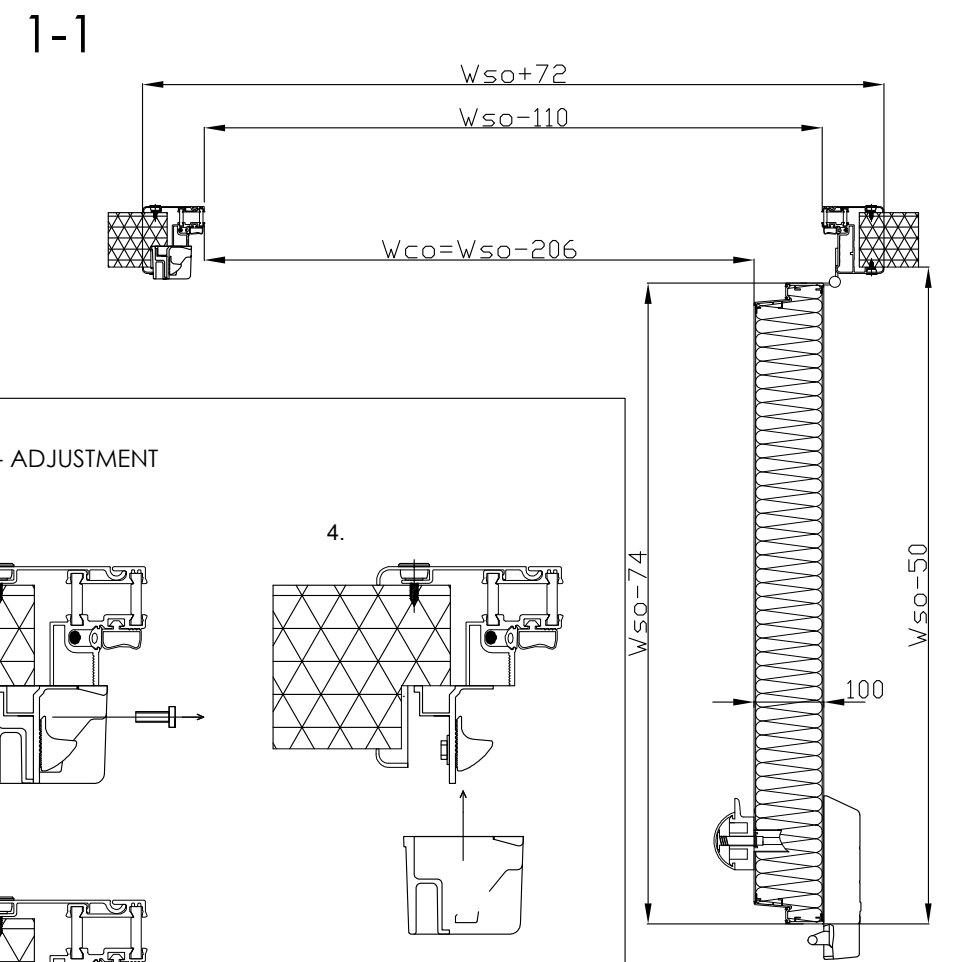
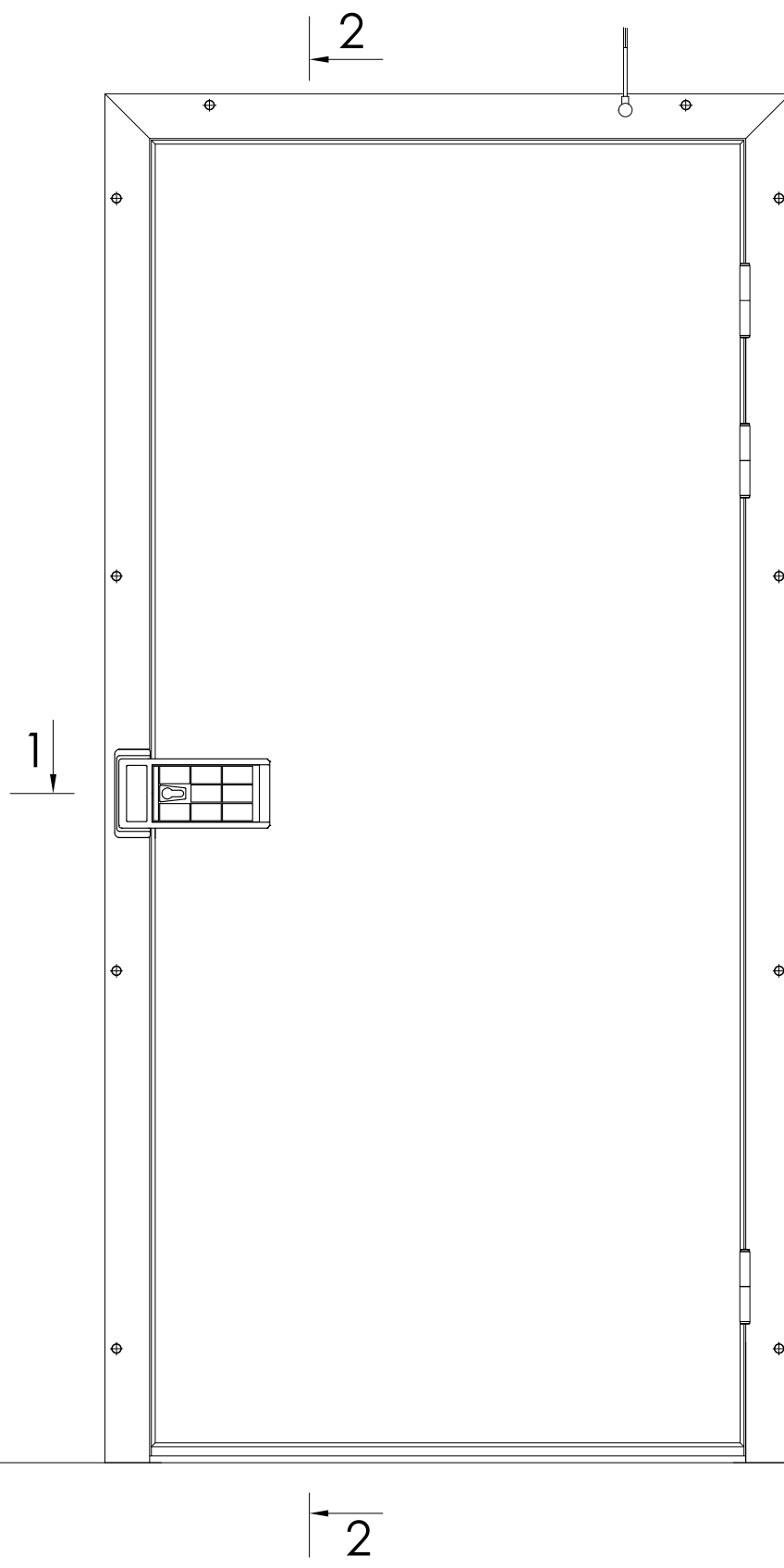
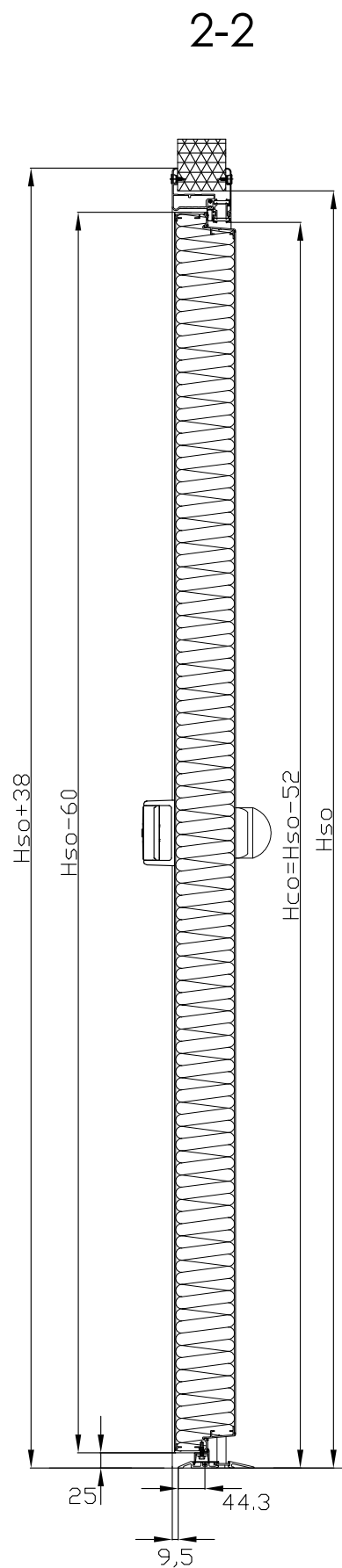


CHANGE HISTORY TABLE

No	Rev.	Modification description	Date	Initials
1.	01	Initial Release	24-05-2019	AD
2.	02	Adjustment	05-09-2019	EM
3.				



	Contact address: THERMOD AB Söderborgsvägen 32 SE-671 95 Klässbol, Sweden tel. (0)570 72 74 70 fax. (0)570 72 74 71 info@thermod.se	Drawing name: FD, lock 920 - ADJUSTMENT	Drawing number: 030-024-01
	Date: 05-09-2019	Drawn by: E. MALCZAK	Scale: 1:10
			Revision: 02