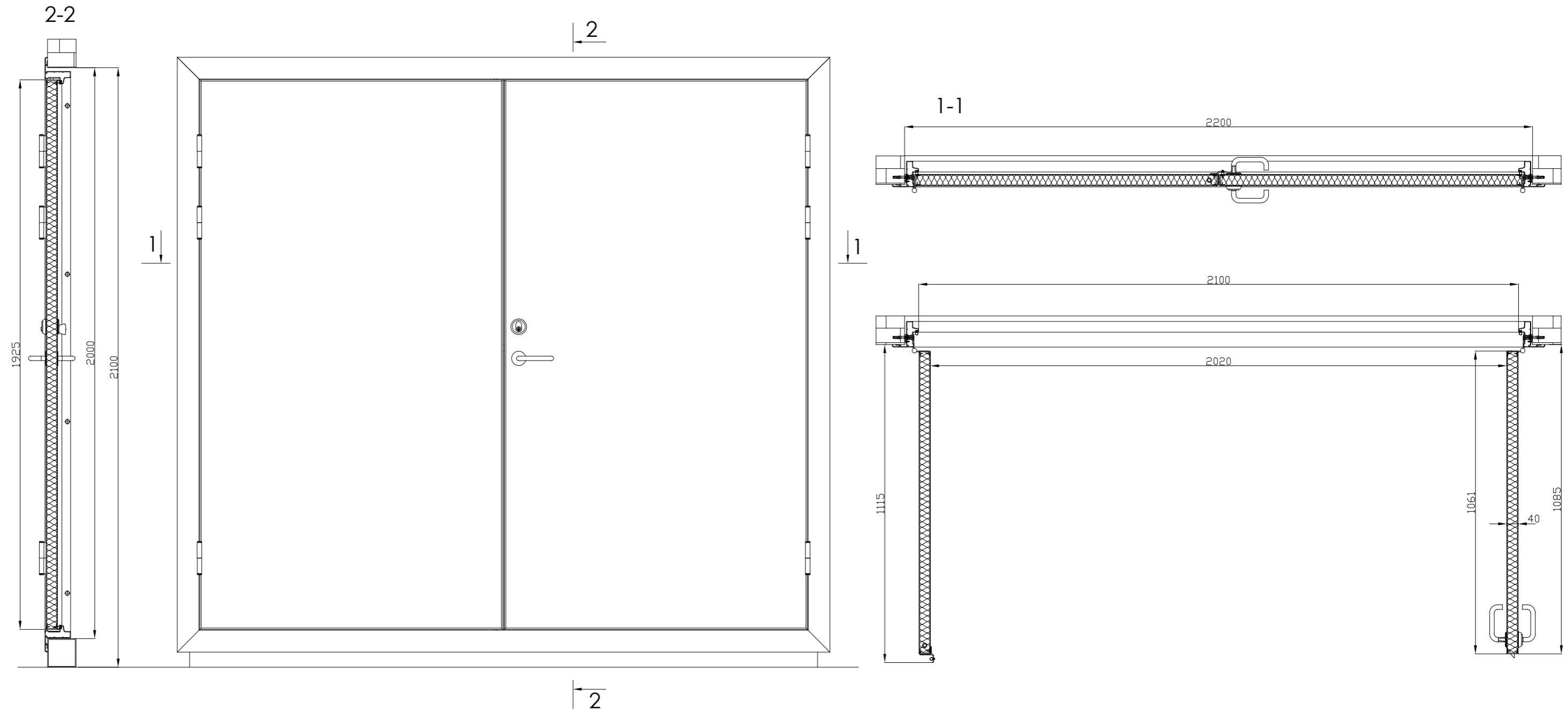


CHANGE HISTORY TABLE

No	Rev.	Modification description	Date	Initials
1.	01	Initial Release	18-01-2012	PB
2.	02	Frame around added	18-01-2012	PB
3.				
4.				

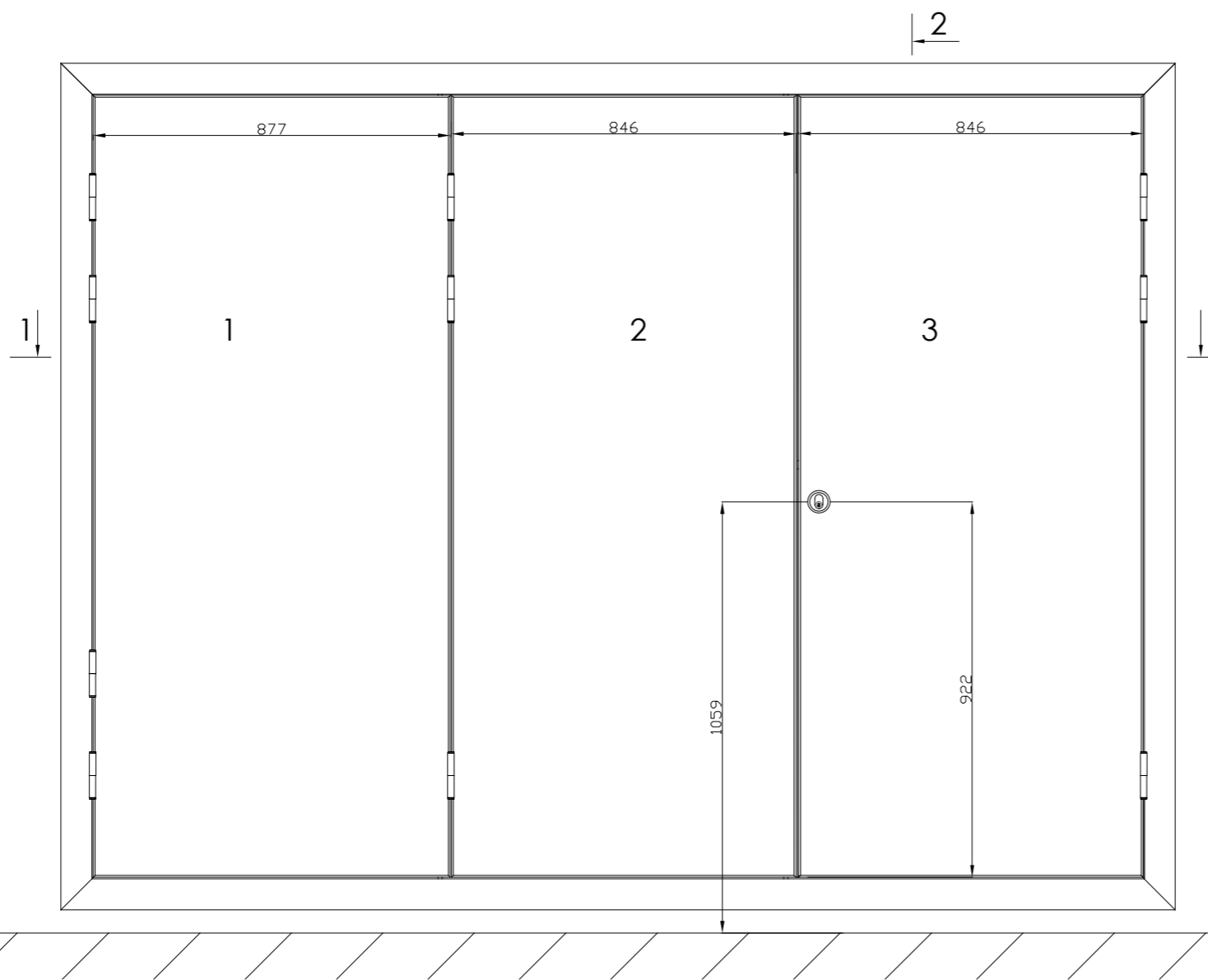
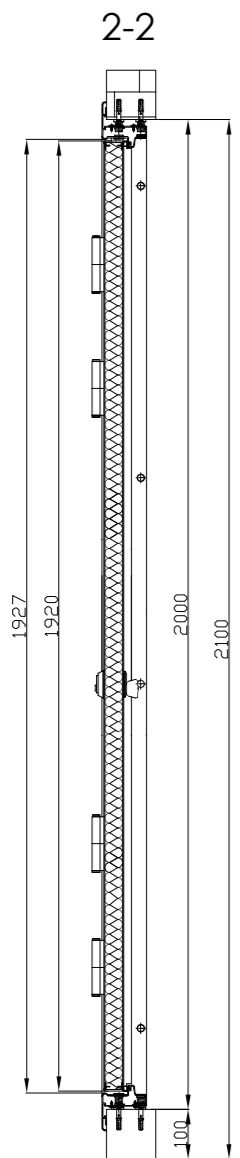
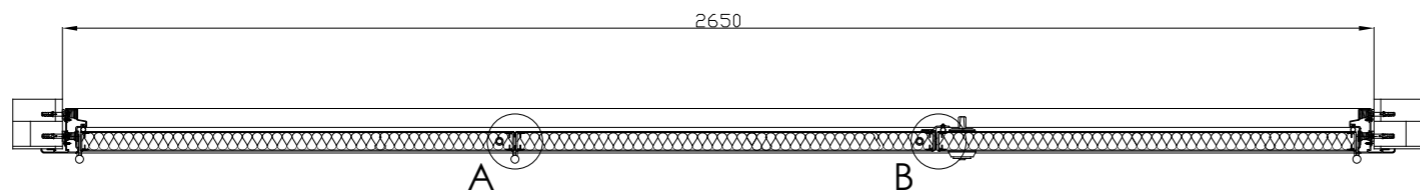


Contact address:  
 THERMOD AB  
 Söderborgsvägen 32  
 SE-671 95 Klässbol, Sweden  
 tel. (0)570 72 74 70  
 fax. (0)570 72 74 71  
 info@thermod.se

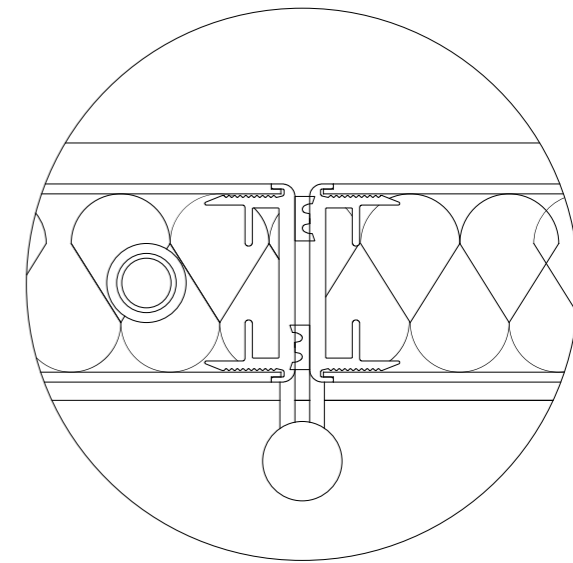
Drawing name:  
 IDD 22x20, two sided cover,  
 mounting for wall

Drawing number:

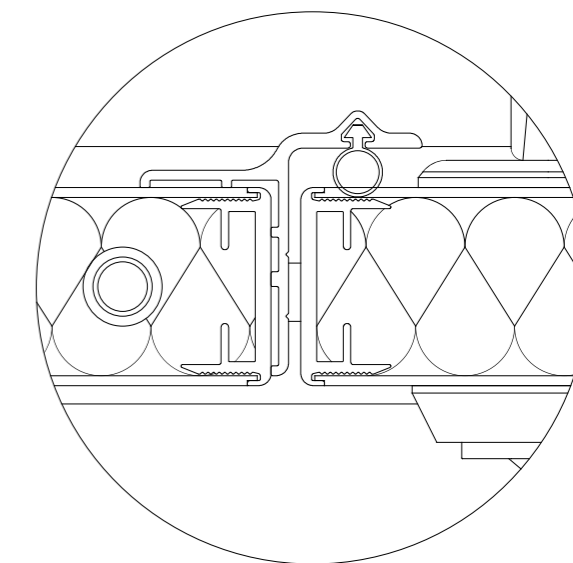
Date: 18-01-2012  
 Drawn by: A.DZIEWIALTOWSKI  
 Scale: 1:10  
 Print format: A2  
 Revision: 02




A(1:1)



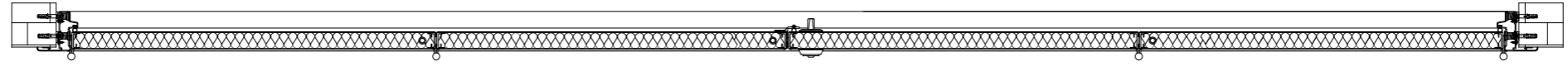
B(1:1)



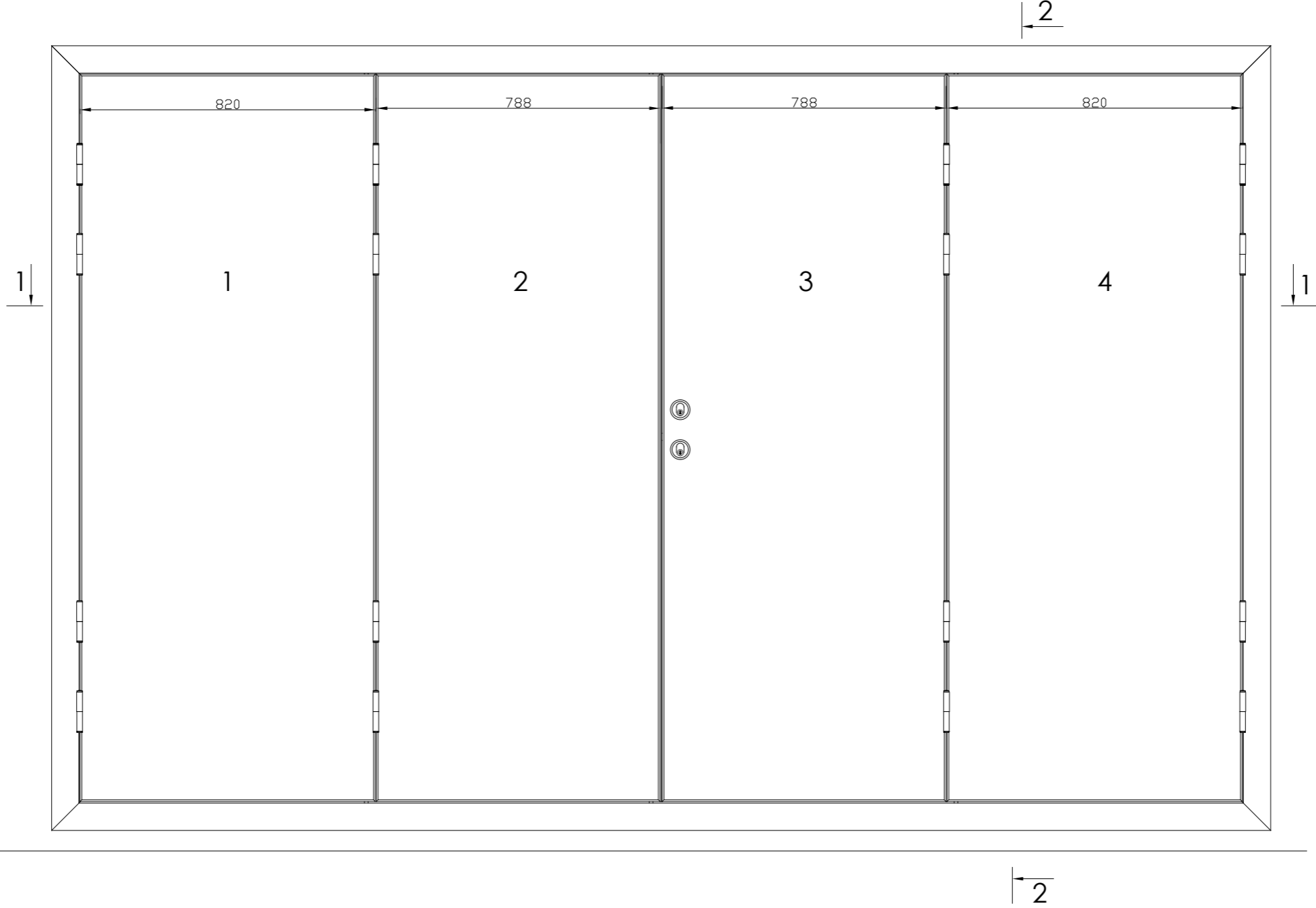
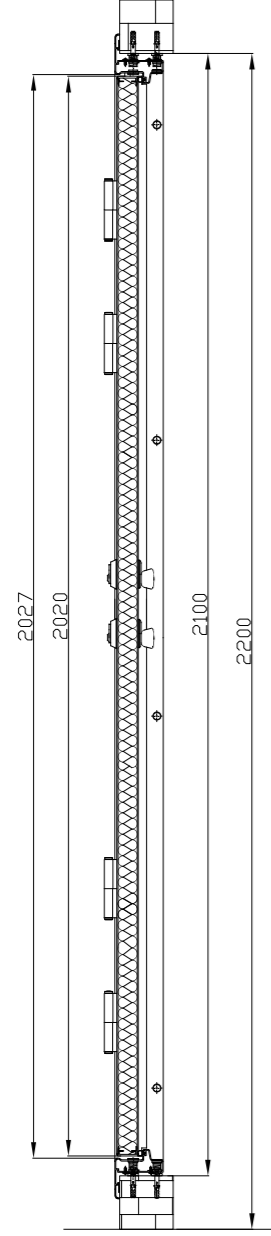
	Contact address: THERMOD AB Söderborgsvägen 32 SE-671 95 Klässbol, Sweden tel. (0)570 72 74 70 fax. (0)570 72 74 71 info@thermod.se	Drawing name: 8549 EF27 Elnisch for confirmation	Drawing number: 001-000-00	
	Date: 09-01-2018	Drawn by: A. Dziewiałtowski	Scale: 1:10	Print format: A2


CHANGE HISTORY TABLE				
No	Rev.	Modification description	Date	Initials
1.	01	Initial Release	01-02-2012	PB
2.	02	Double kartro set added	01-02-2012	PB
3.	03	Lock changed to 415, hight change 20->21	02-02-2012	PB
4.				

1-1



2-2



	Contact address: THERMOD AB Söderborgsvägen 32 SE-671 95 Klässbol, Sweden tel. (0)570 72 74 70 fax. (0)570 72 74 71 info@thermod.se	Drawing name: IDDD 33x21, mounting for wall	Drawing number: 	
	Date: 02-02-2012	Drawn by: P.Batura	Scale: 1:10	Print format: A2