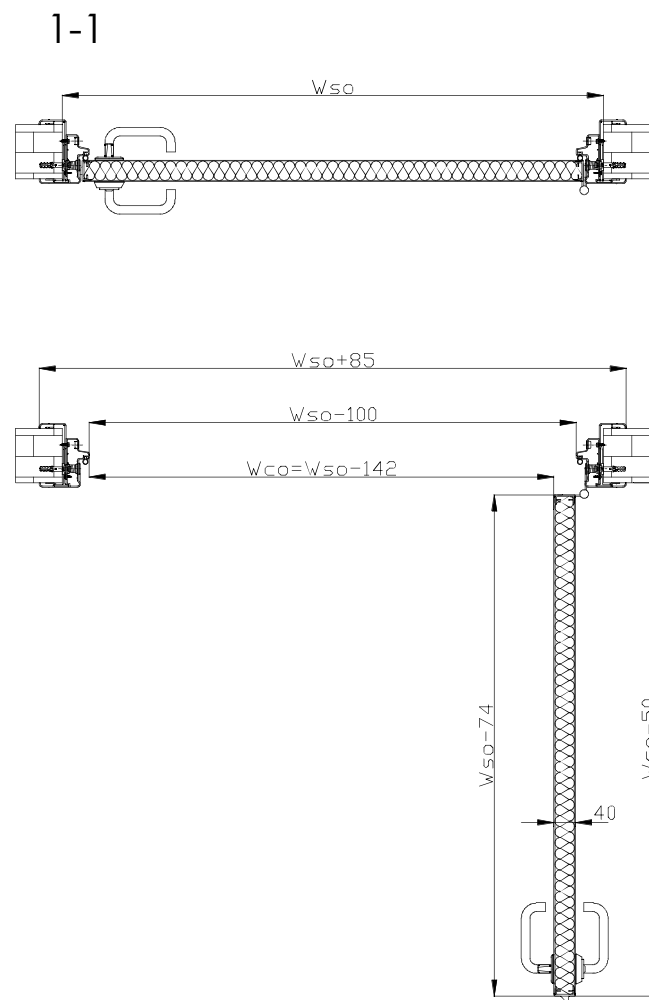


CHANGE HISTORY TABLE			Date	Initials
1.	01	Initial Release	31-05-2011	PB
2.	02	Drawing table format updated (drawing number added), single Quick left	30-06-2011	PB
3.	03	Gasket geometry updated	09-01-2012	AD
4.				



Contact address:  
**THERMOD AB**  
 Söderborgsvägen 32  
 SE-671 95 Klässbol, Sweden  
 tel. (0)570 72 74 70  
 fax. (0)570 72 74 71  
 info@thermod.se

Drawing name:  
**ID, two sided cover,  
 mounting for wall**

Drawing number:  
**010-011-00**

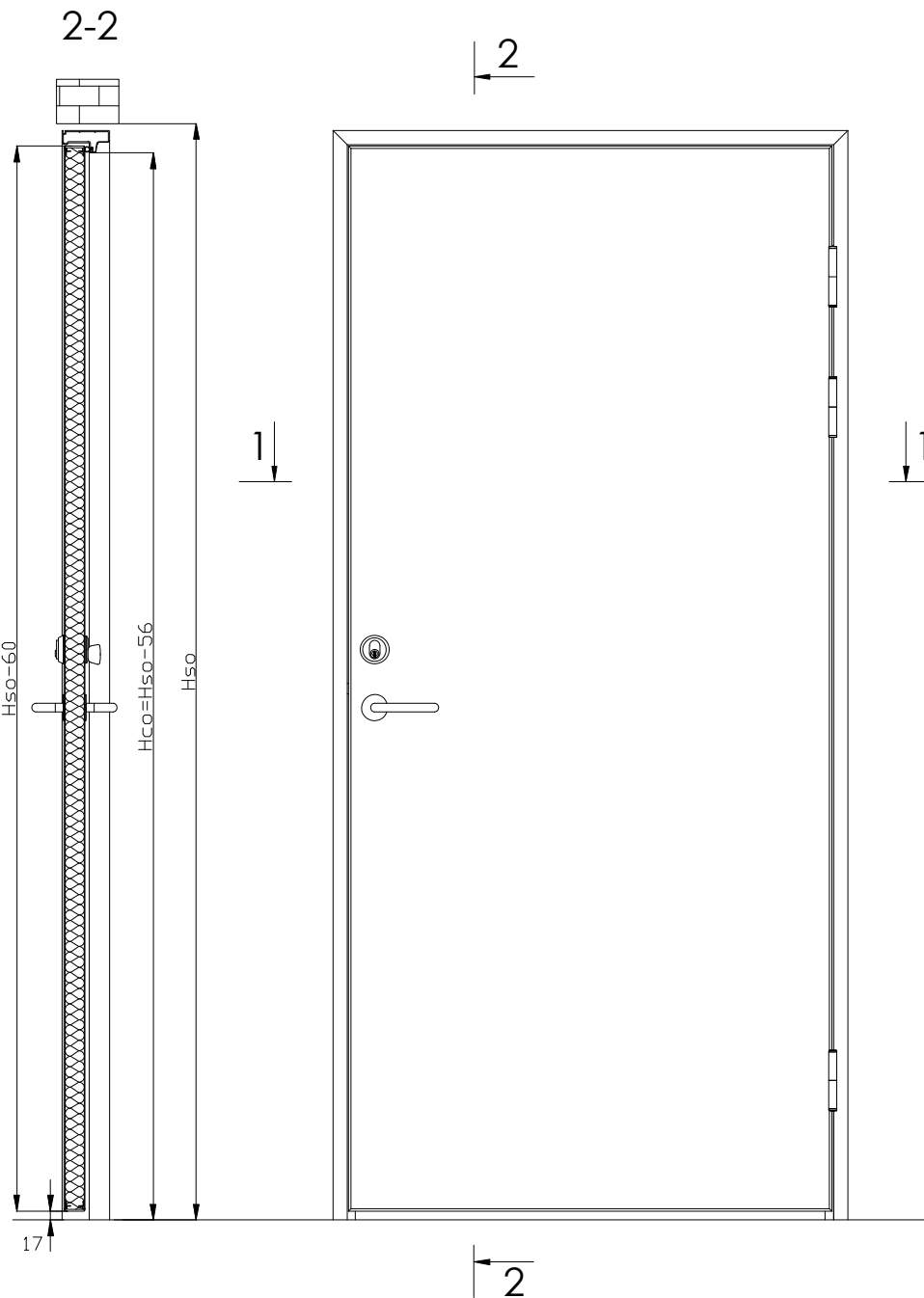
Date:  
**09-01-2011**

Drawn by:  
**A.DZIEWIALTOWSKI**

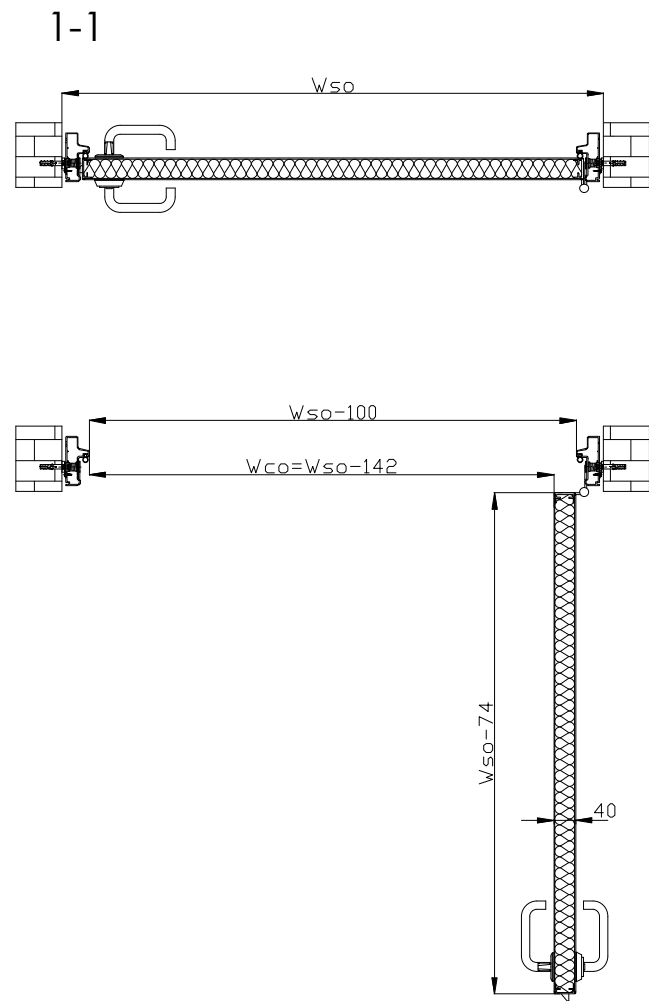
Scale:  
**1:10**

Print format:  
**A3**

Revision:  
**03**



CHANGE HISTORY TABLE				
No	Rev.	Modification description	Date	Initials
1.	01	Initial Release	31-05-2011	PB
2.	02	Drawing table format updated (drawing number added), single Quick left	30-06-2011	PB
3.	03	Gasket geometry updated	09-01-2012	AD
4.				



Contact address:  
**THERMOD AB**  
 Söderborgsvägen 32  
 SE-671 95 Klässbol, Sweden  
 tel. (0)570 72 74 70  
 fax. (0)570 72 74 71  
 info@thermod.se

Drawing name:  
**ID, without cover,  
 mounting for wall**

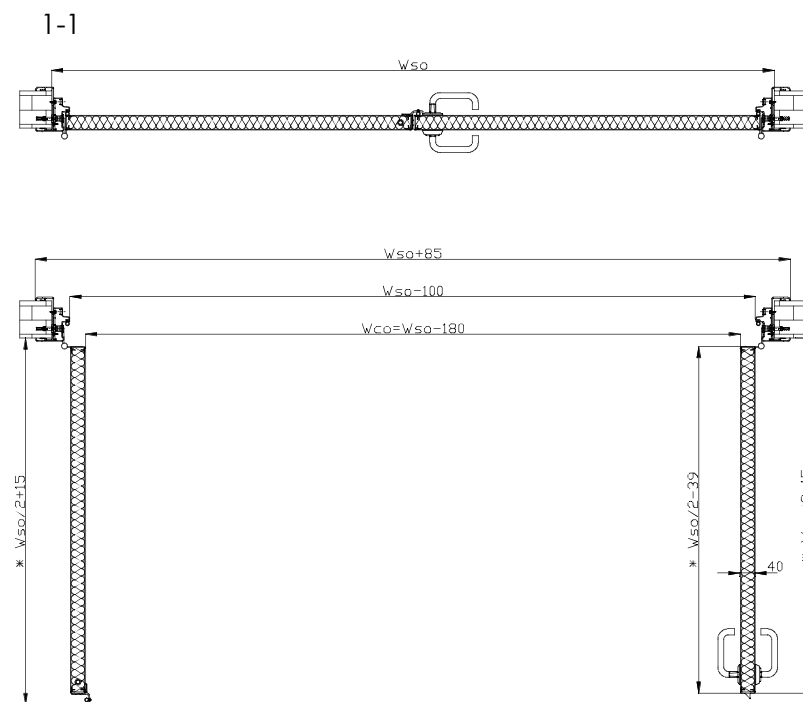
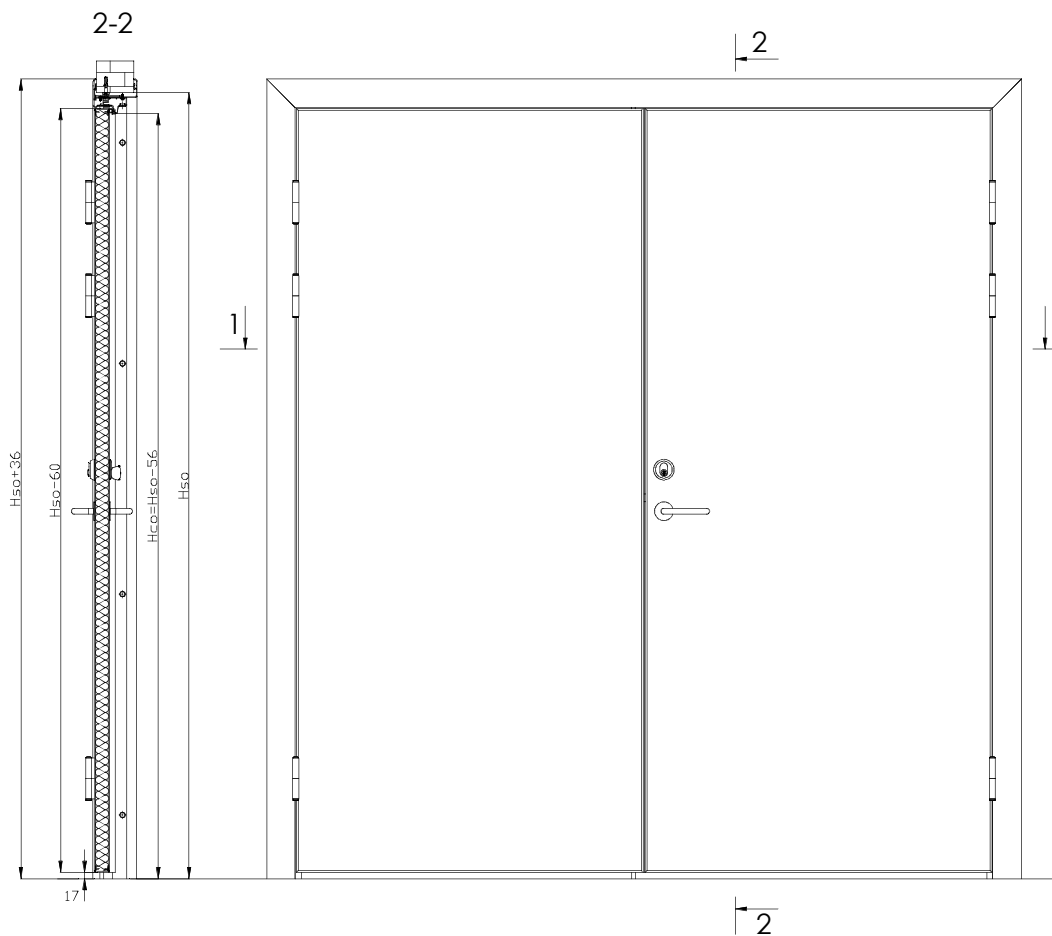
Date: 09-01-2011  
 Drawn by: A.DZIEWIALTOWSKI  
 Scale: 1:10

Drawing number:  
**010-014-00**

Print format: A3  
 Revision: 03

CHANGE HISTORY TABLE

No	Rev.	Modification description	Date	Initials
1.	01	Initial Release	31-05-2011	PB
2.	02	Drawing table format updated (drawing number added), single Quick left	30-06-2011	PB
3.	03	Gasket geometry updated	09-01-2012	AD
4.	04	Quick on top of the frame added	20-02-2012	PB

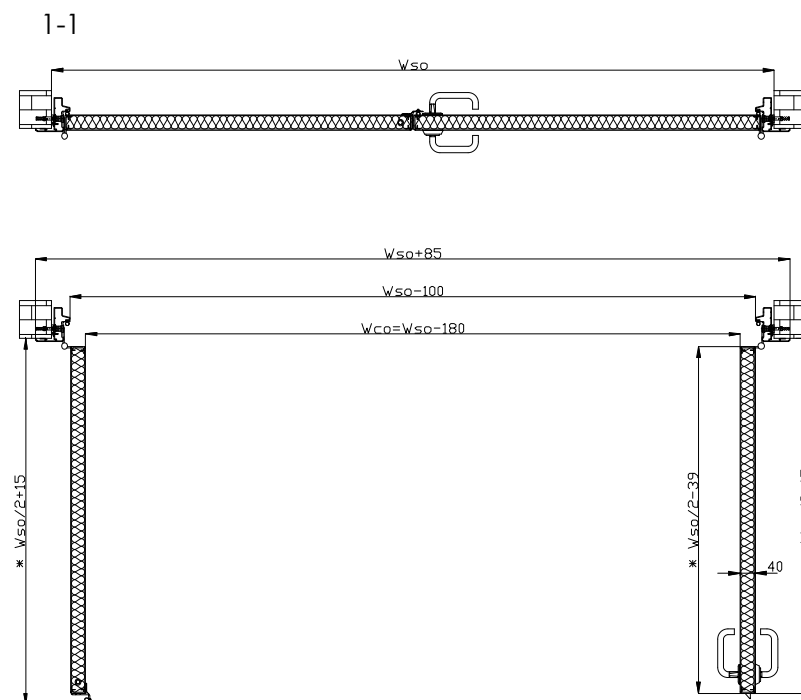
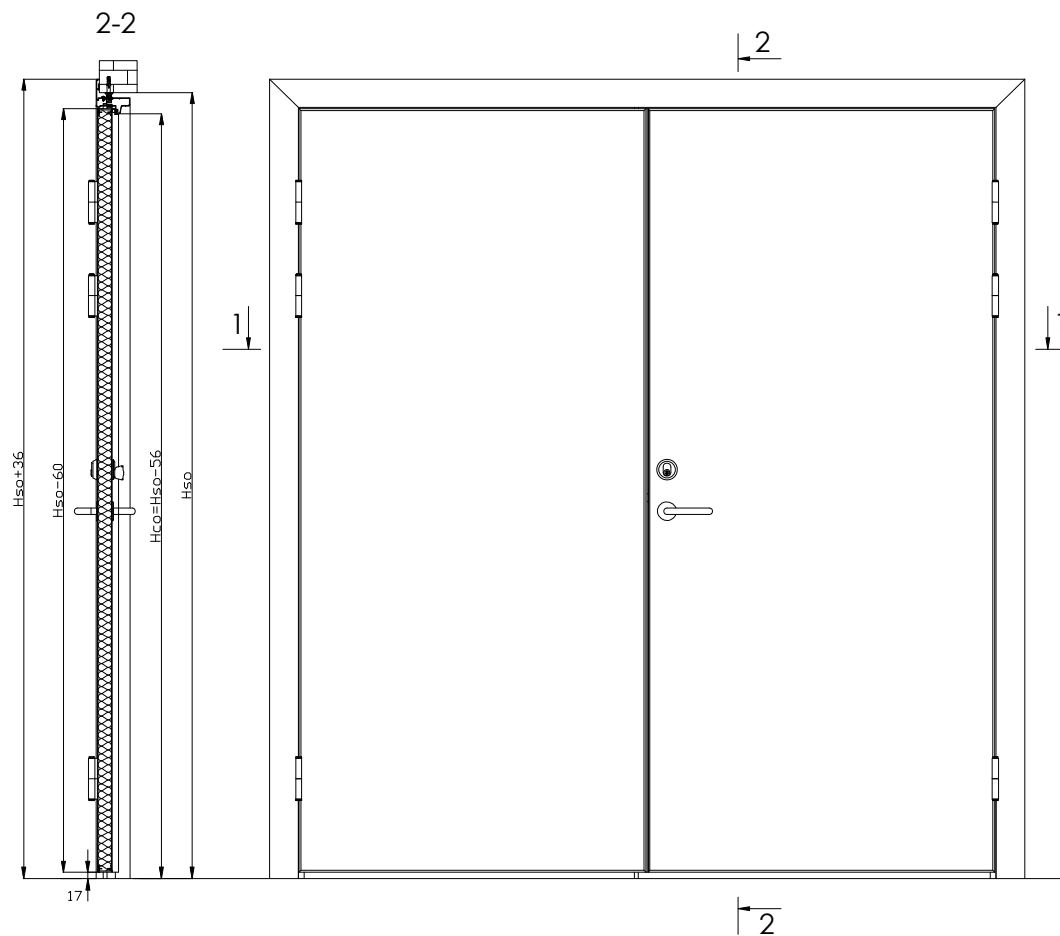


\* formula valid only for symmetrical leaves

	Contact address: THERMOD AB Söderborgsvägen 32 SE-671 95 Klässbol, Sweden tel. (0)570 72 74 70 fax. (0)570 72 74 71 info@thermod.se	Drawing name: IDD, two sided cover, mounting for wall	Drawing number: 010-021-00
	Date: 20-02-2012	Drawn by: P. Batura	Scale: 1:10
		Revision: 04	

CHANGE HISTORY TABLE

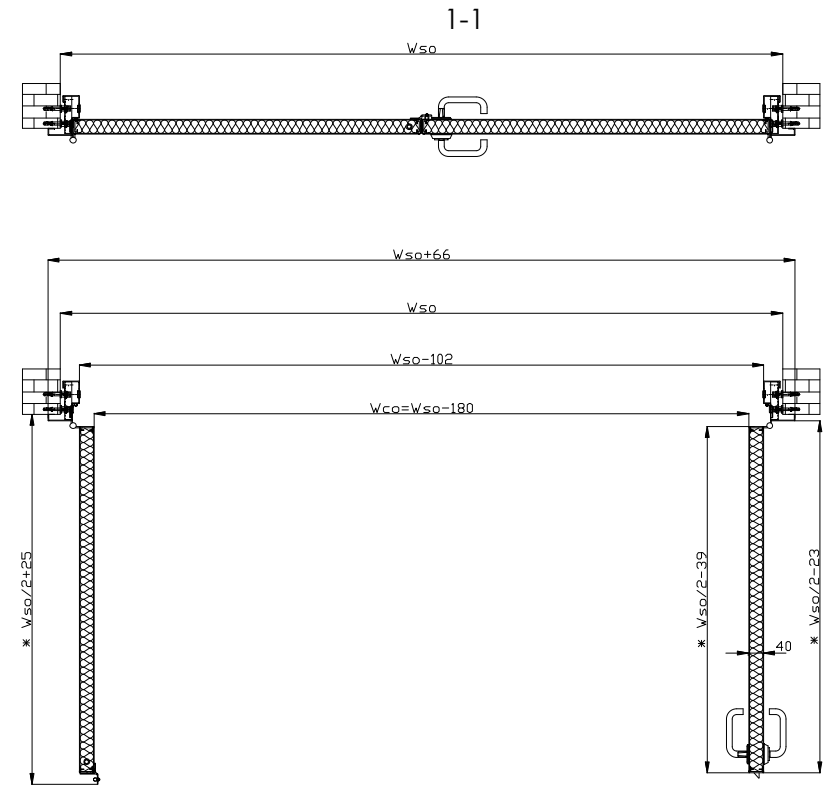
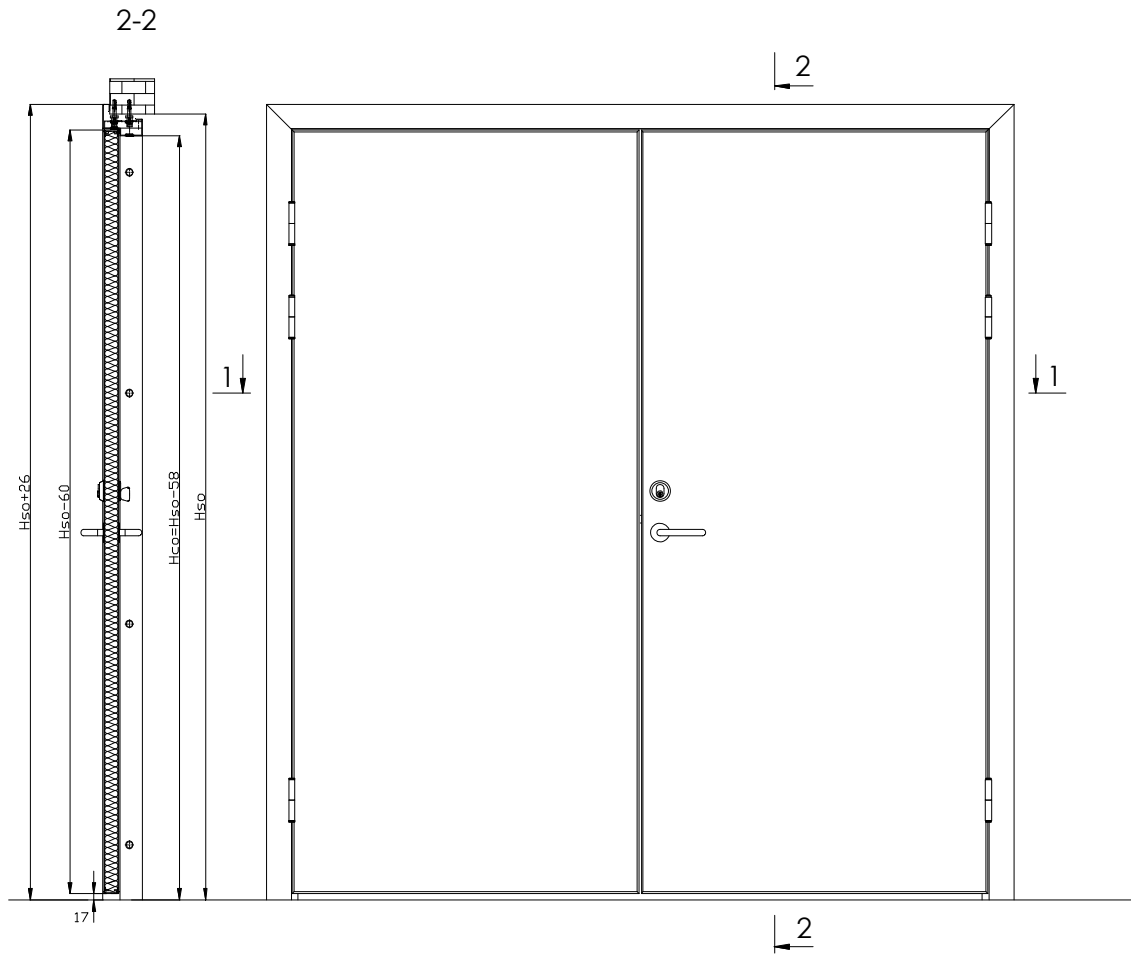
No	Rev.	Modification description	Date	Initials
1.	01	Initial Release	31-05-2011	PB
2.	02	Drawing table format updated (drawing number added), single Quick left	30-06-2011	PB
3.	03	Gasket geometry updated	09-01-2012	AD
4.	04	Quick on top of the frame added	20-02-2012	PB




\* formula valid only for symmetrical leaves

	Contact address: THERMOD AB Söderborgsvägen 32 SE-671 95 Klässbol, Sweden tel. (0)570 72 74 70 fax. (0)570 72 74 71 info@thermod.se	Drawing name: IDD, one sided cover, mounting for wall	Drawing number: 010-020-00
	Date: 20-02-2012	Drawn by: P. Batura	Scale: 1:10
		Revision: 04	

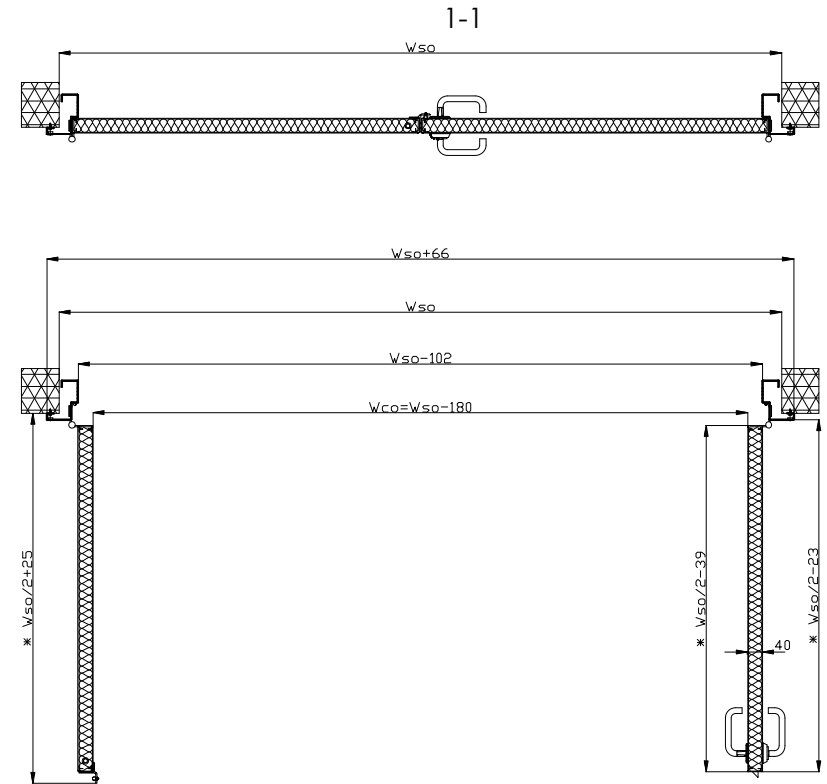
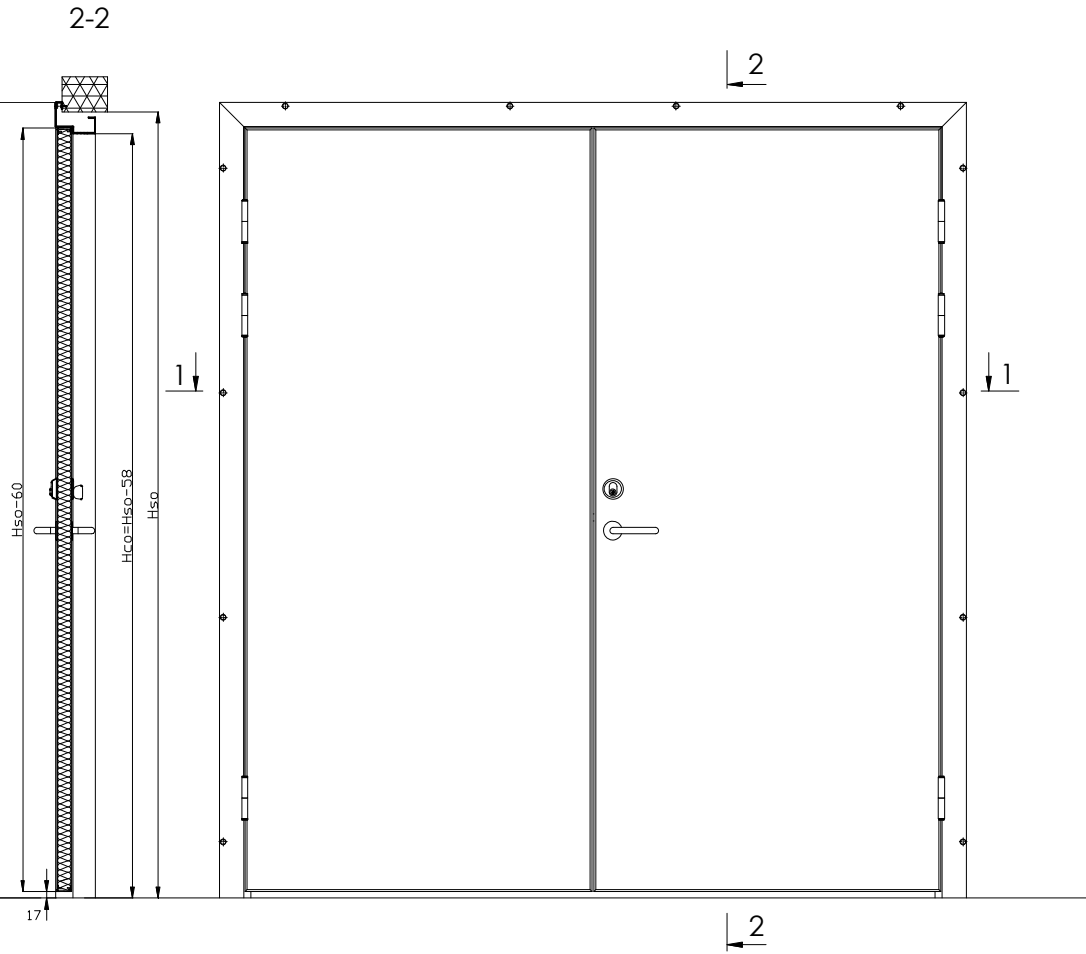
CHANGE HISTORY TABLE				
No	Rev.	Modification description	Date	Initials
1.	01	Initial Release	04-04-2014	AD
2.	02	Frame profile and accessories change	02-07-2014	SK




\* formula valid only for symmetrical leaves

	Contact address: THERMOD AB Söderborgsvägen 32 SE-671 95 Klässbol, Sweden tel. (0)570 72 74 70 fax. (0)570 72 74 71 info@thermod.se	Drawing name: IDD, stainless frame, one sided cover, mounting for wall	Drawing number: 010-120-00
	Date: 18-06-2014	Drawn by: S. Kogut	Scale: 1:10
		Revision: 02	

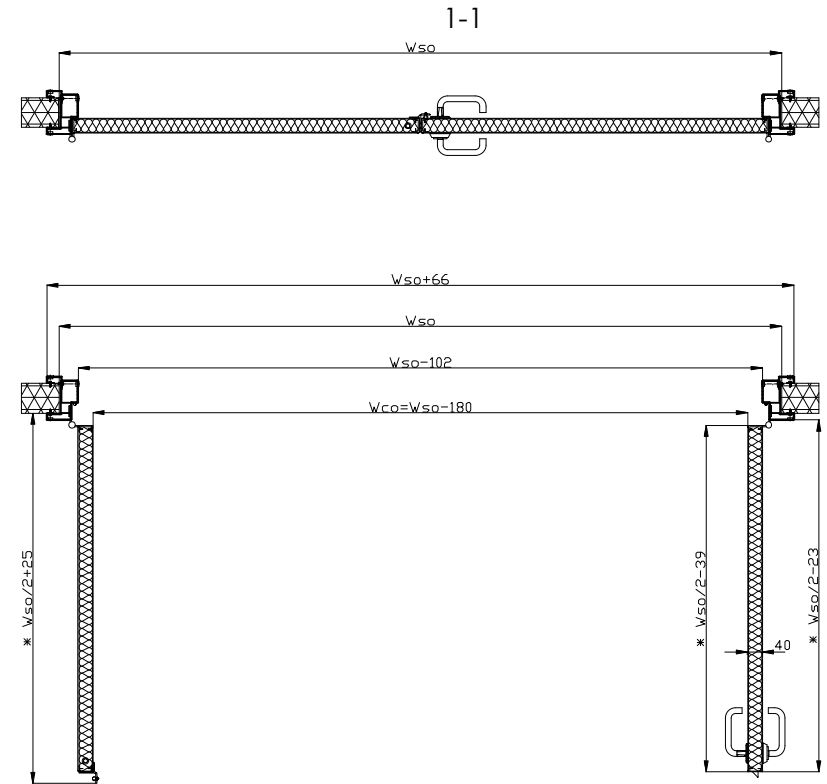
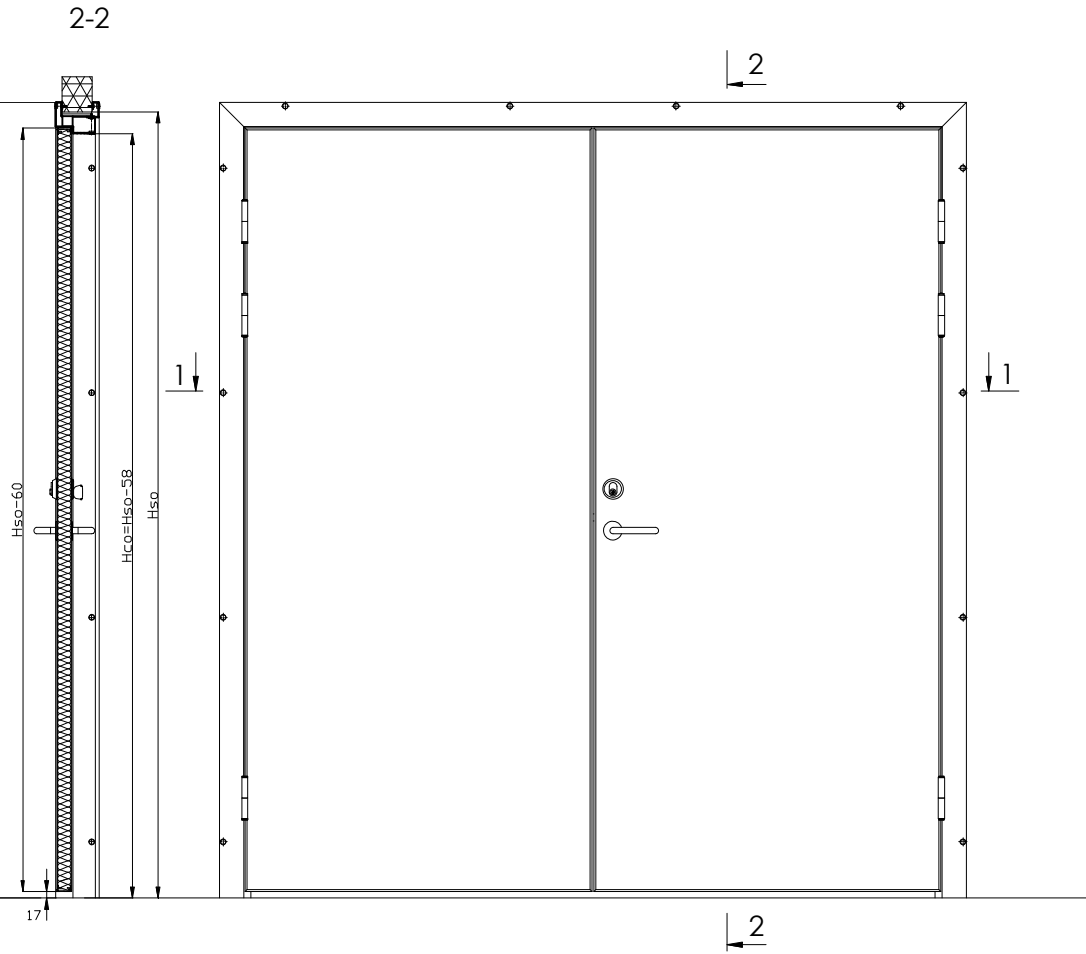
CHANGE HISTORY TABLE			Date	Initials
No	Rev.	Modification description		
1.	01	Initial Release	02-07-2014	SK
2.				




\* formula valid only for symmetrical leaves

	Contact address: THERMOD AB Söderborgsvägen 32 SE-671 95 Klånsbol, Sweden tel. (0)570 72 74 70 fax. (0)570 72 74 71 info@thermod.se	Door: TDD, stainless frame, one sided cover, mounting for panel	Drawing number: 010-122-00	
	Date: 18-06-2014	Drawn by: S. Kogut	Scale: 1:10	Print format: A2

CHANGE HISTORY TABLE				
No	Rev.	Modification description	Date	Initials
1.	01	Initial Release	04-04-2014	AD
2.	02	Frame construction change	02-07-2014	SK

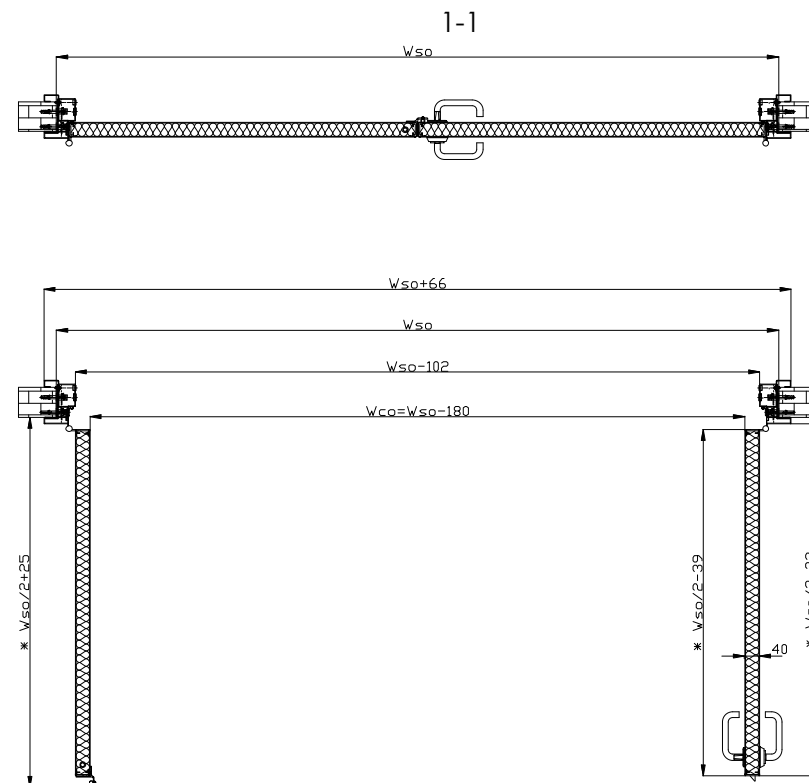
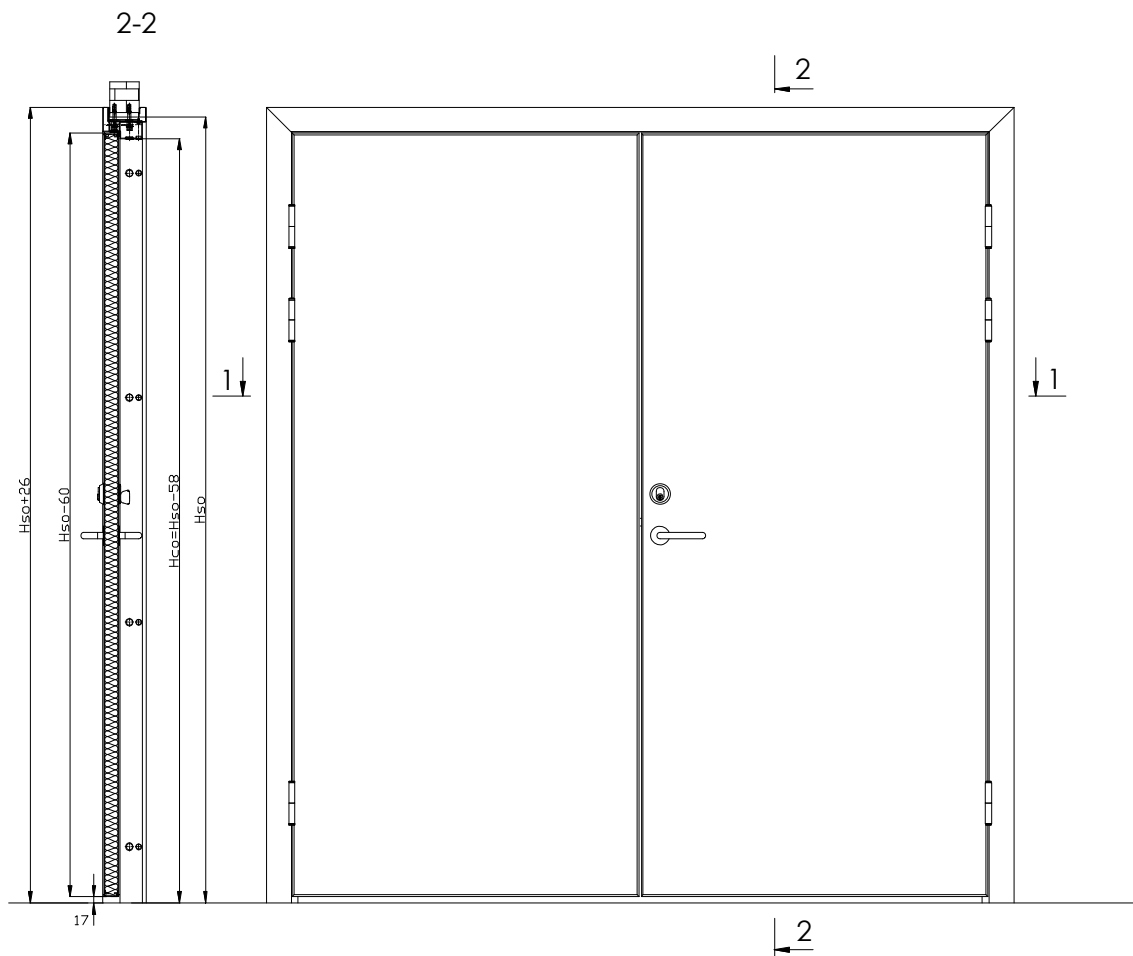


\* formula valid only for symmetrical leaves

	Contact address: THERMOD AB Söderborgsvägen 32 SE-671 95 Klässbol, Sweden tel. (0)570 72 74 70 fax. (0)570 72 74 71 info@thermod.se	Door: TDD, stainless frame, one sided cover, mounting for panel	Drawing number: 010-123-00
	Date: 18-06-2014	Drawn by: S. Kogut	Scale: 1:10
		Revision: 02	

CHANGE HISTORY TABLE

No	Rev.	Modification description	Date	Initials
1.	01	Initial Release	04-04-2014	AD
2.	02	Frame construction change	02-07-2014	SK



\* formula valid only for symmetrical leaves

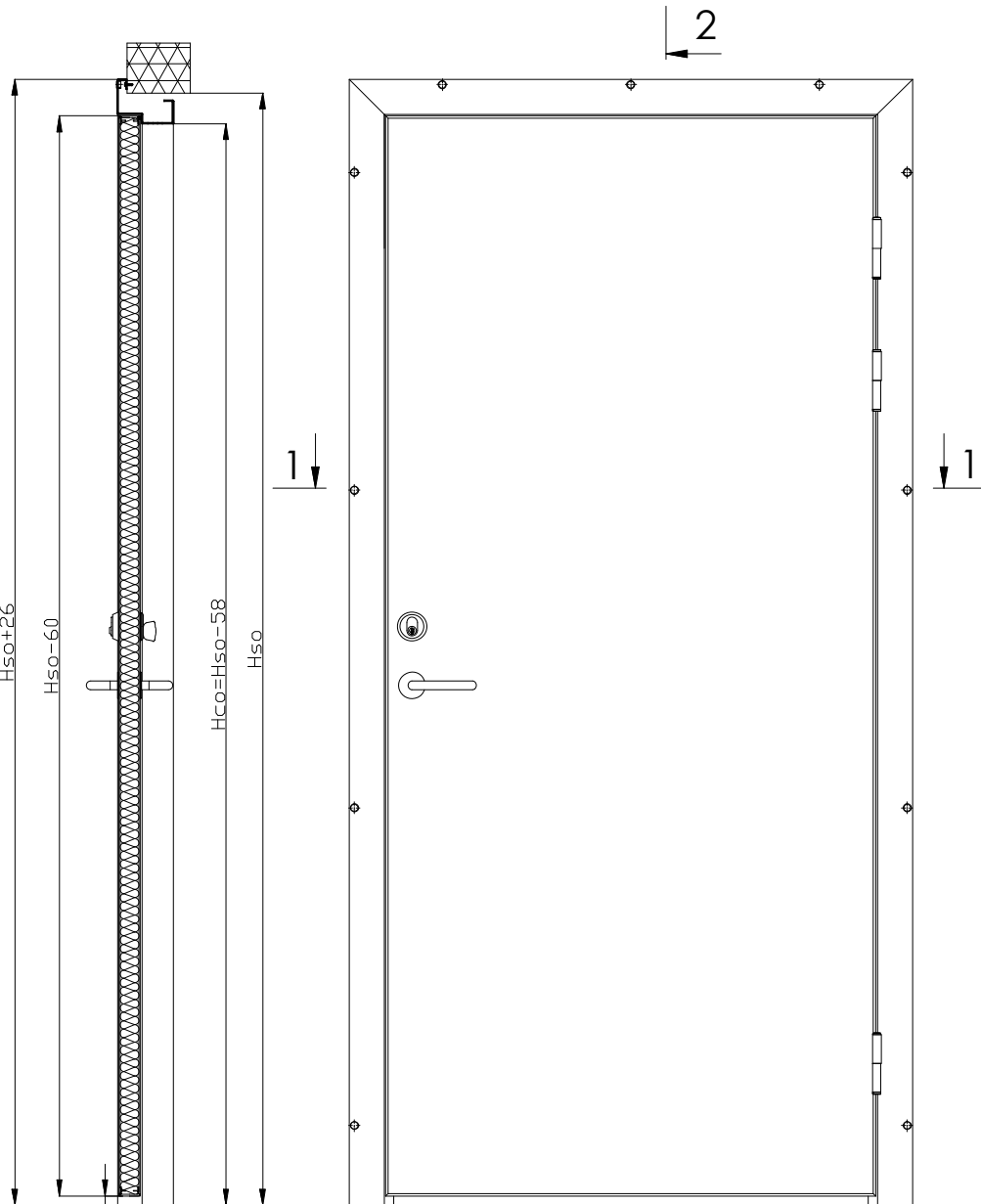
	Contact address:	THERMOD AB Söderborgsvägen 32 SE-671 95 Klässbol, Sweden tel. (0)570 72 74 70 fax. (0)570 72 74 71 info@thermod.se	Drawing name: IDD, stainless frame, one sided cover, mounting for wall	Drawing number: 010-121-00
	Date:	Drawn by: S. Kogut	Scale: 1:10	Print format: A2



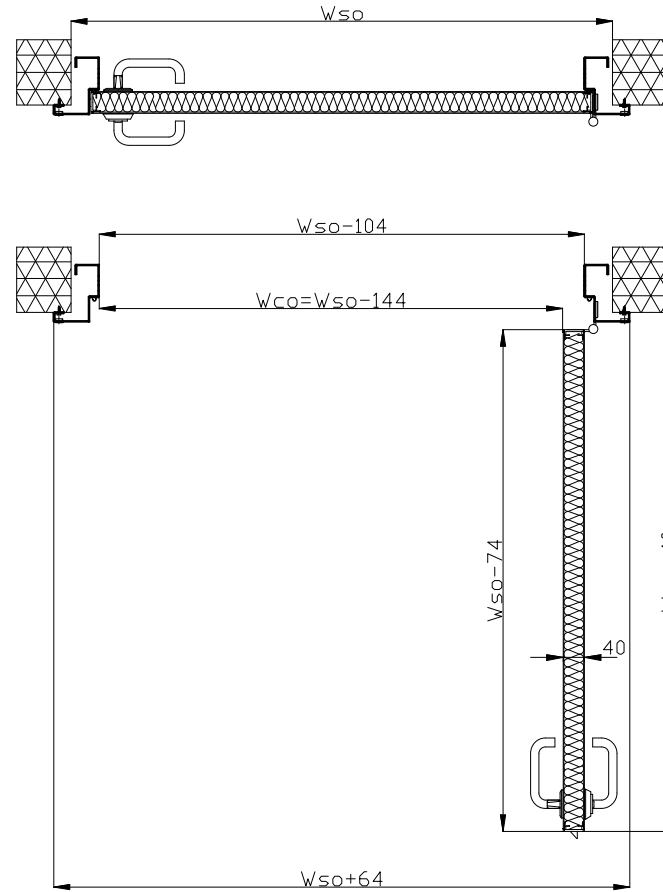
CHANGE HISTORY TABLE

No	Rev.	Modification description	Date	Initials
1.	01	Initial Release	02-07-2014	SK
2.				
3.				

2-2




1-1



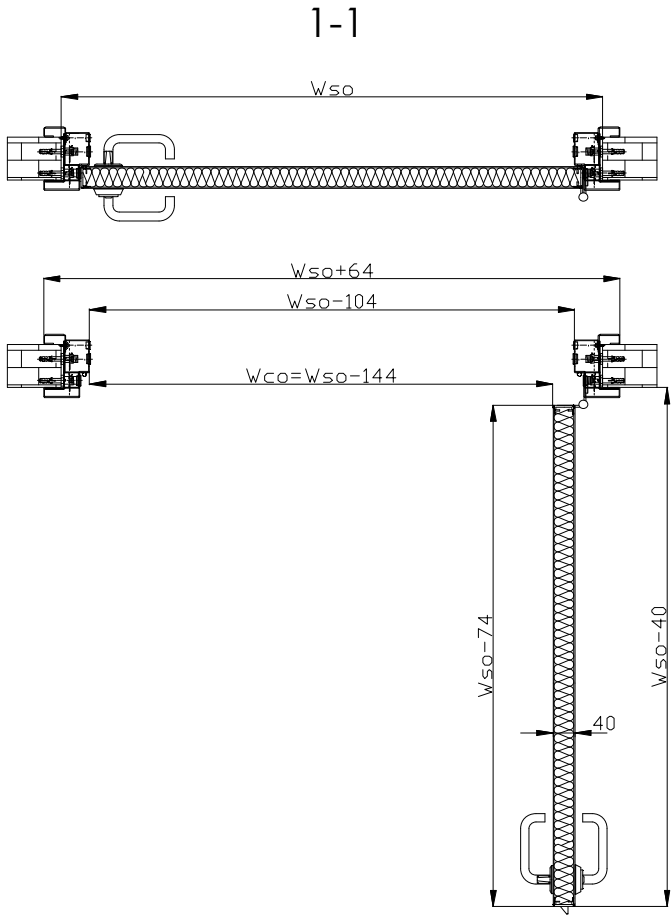
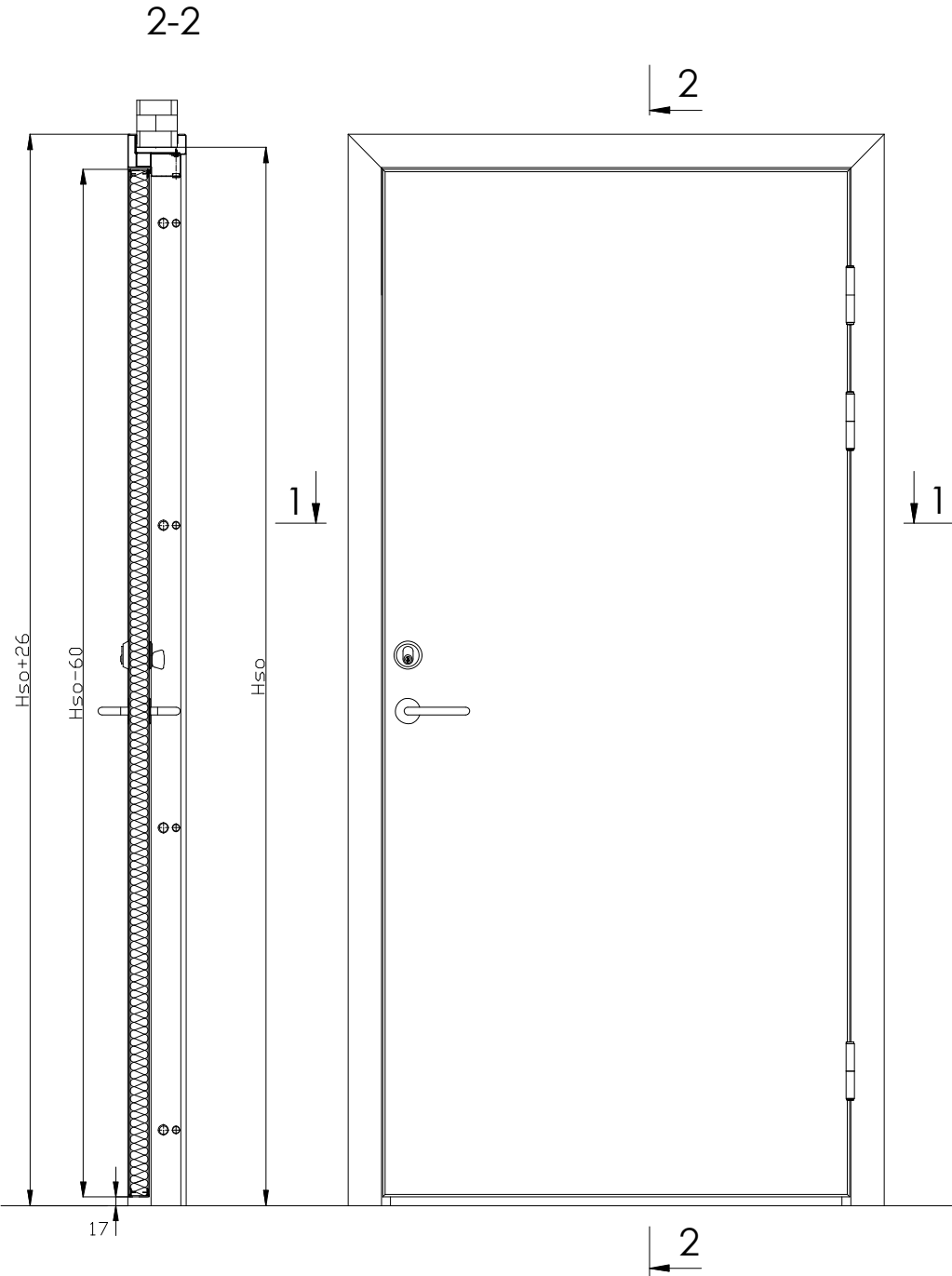
17

2

	Contact address: THERMOD AB Söderborgsvägen 32 SE-671 95 Klässbol, Sweden tel. (0)570 72 74 70 fax. (0)570 72 74 71 info@thermod.se	Drawing name: ID, stainless frame, one sided cover, mounting for panel	Drawing number: 010-102-00	
	Date: 18-06-2014	Drawn by: S. Kogut	Scale: 1:10	Print format: A3

CHANGE HISTORY TABLE

No	Rev.	Modification description	Date	Initials
1.	01	Initial Release	25-10-2012	AD
2.	02	Frame construction change	02-07-2014	SK
3.				



Contact address:  
**THERMOD AB**  
 Söderborgsvägen 32  
 SE-671 95 Klässbol, Sweden  
 tel. (0)570 72 74 70  
 fax. (0)570 72 74 71  
 info@thermod.se

Drawing name:  
**ID, stainless frame, two sided cover, mounting for wall**

Drawing number:  
**010-101-00**

Date:  
**18-06-2014**

Drawn by:  
 S. Kogut

Scale:  
**1:10**

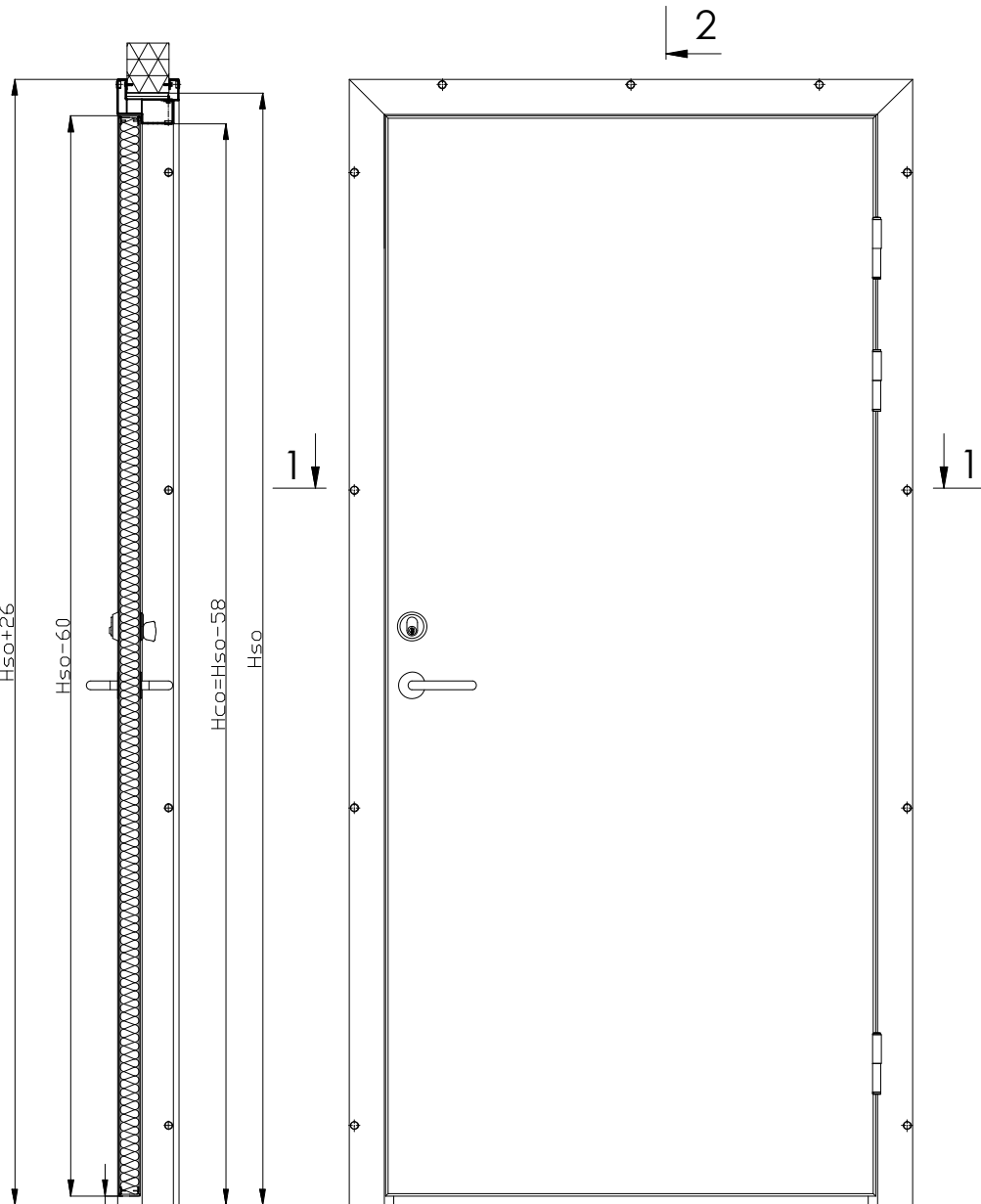
Print format:  
**A3**

Revision:  
**02**

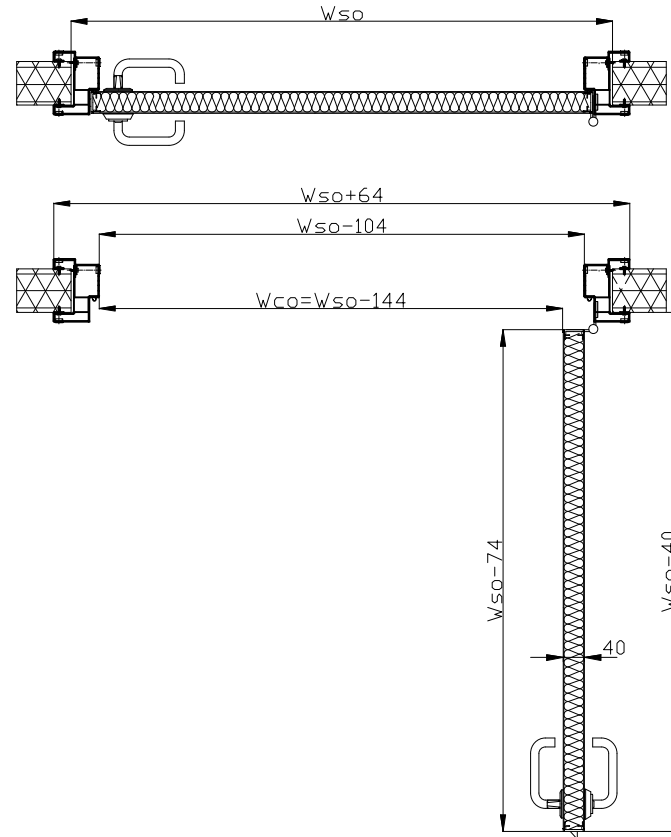
CHANGE HISTORY TABLE

No	Rev.	Modification description	Date	Initials
1.	01	Initial Release	25-10-2012	AD
2.	02	Frame construction change	02-07-2014	SK
3.				

2-2




1-1



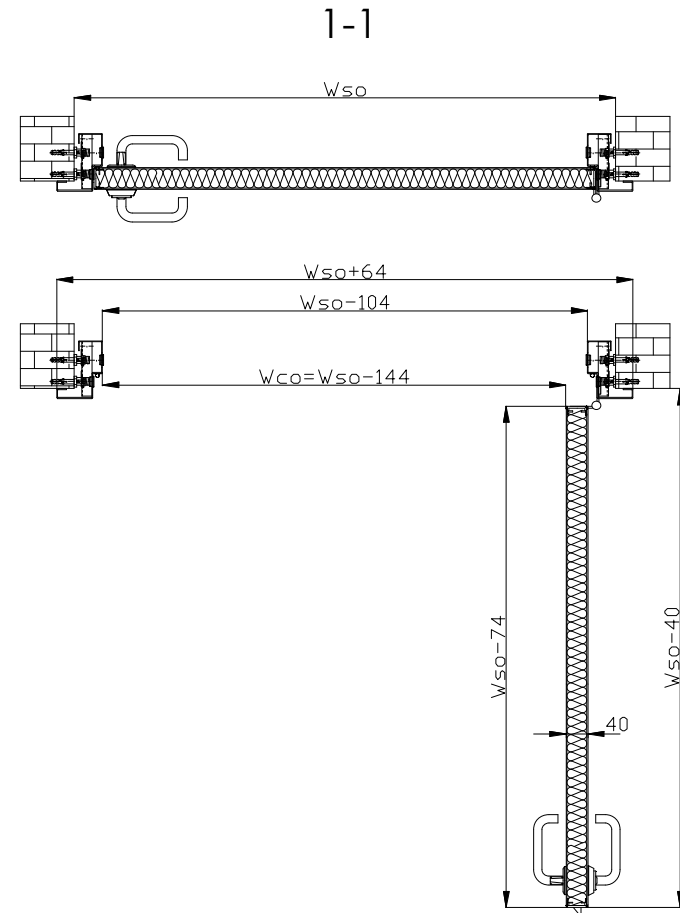
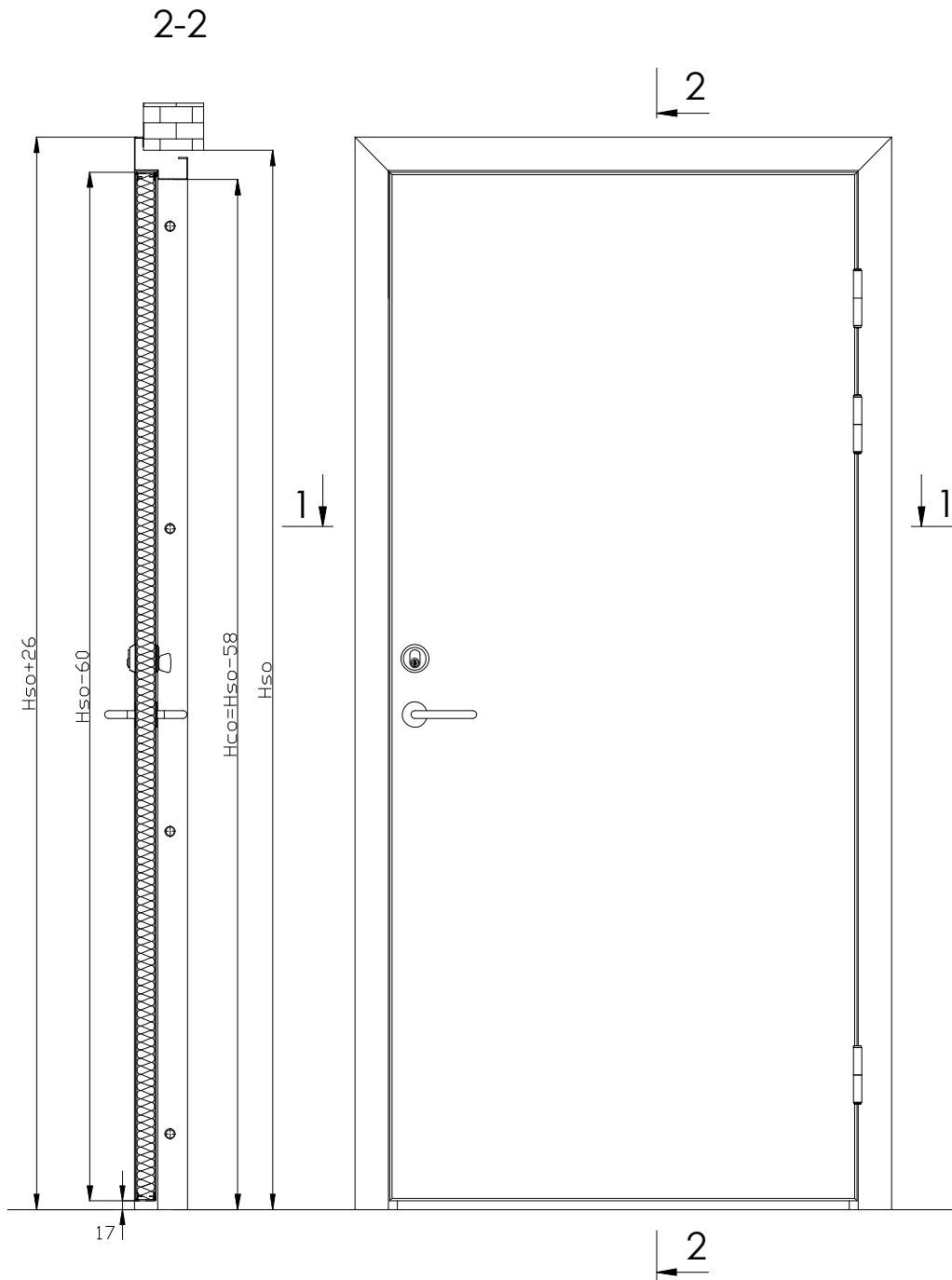
17

2

	Contact address: THERMOD AB Söderborgsvägen 32 SE-671 95 Klässbol, Sweden tel. (0)570 72 74 70 fax. (0)570 72 74 71 info@thermod.se	Drawing name: ID, stainless frame, two sided cover, mounting for panel	Drawing number: 010-103-00	
	Date: 18-06-2014	Drawn by: S. Kogut	Scale: 1:10	Print format: A3

CHANGE HISTORY TABLE

No	Rev.	Modification description	Date	Initials
1.	01	Initial Release	05-12-2012	AD
2.	02	Frame profile and accessories change	02-07-2014	SK
3.				



Contact address:  
 THERMOD AB  
 Söderborgsvägen 32  
 SE-671 95 Klässbol, Sweden  
 tel. (0)570 72 74 70  
 fax. (0)570 72 74 71  
 info@thermod.se

Drawing name:  
 ID, stainless frame, one sided  
 cover, mounting for wall

Drawing number:  
 010-100-00

Date: 05-12-2012	Drawn by: A. Dziewiałtowski	Scale: 1:10	Print format: A3	Revision: 02
---------------------	--------------------------------	----------------	---------------------	-----------------