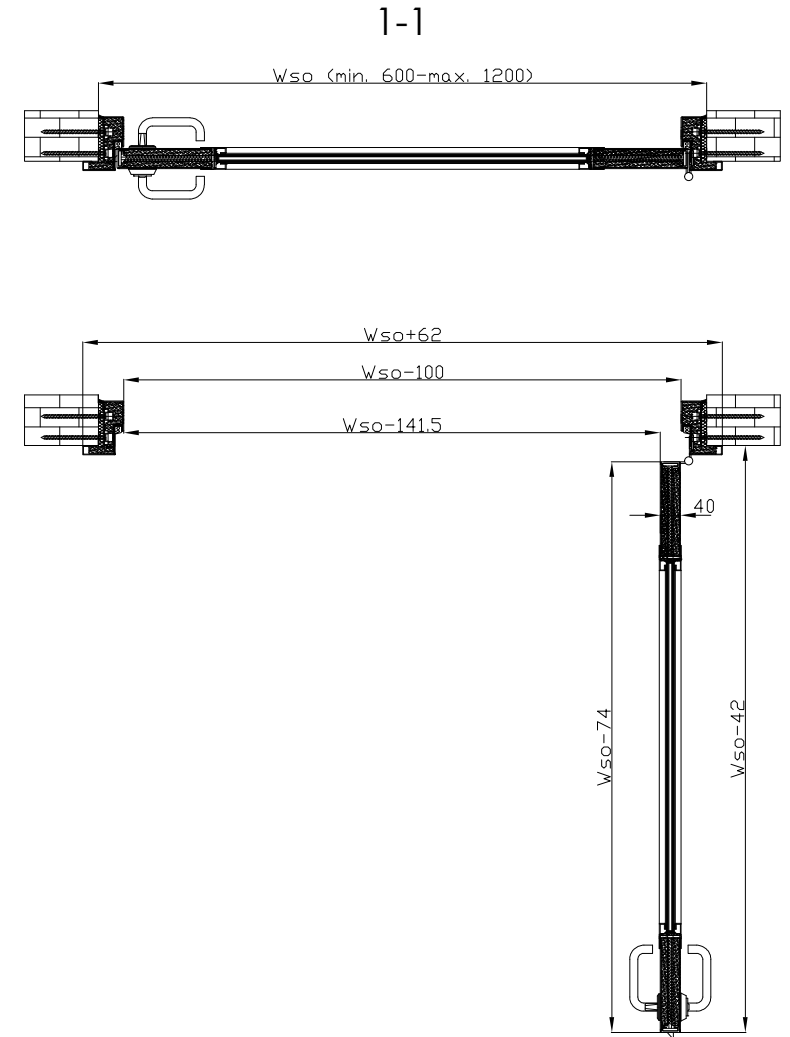
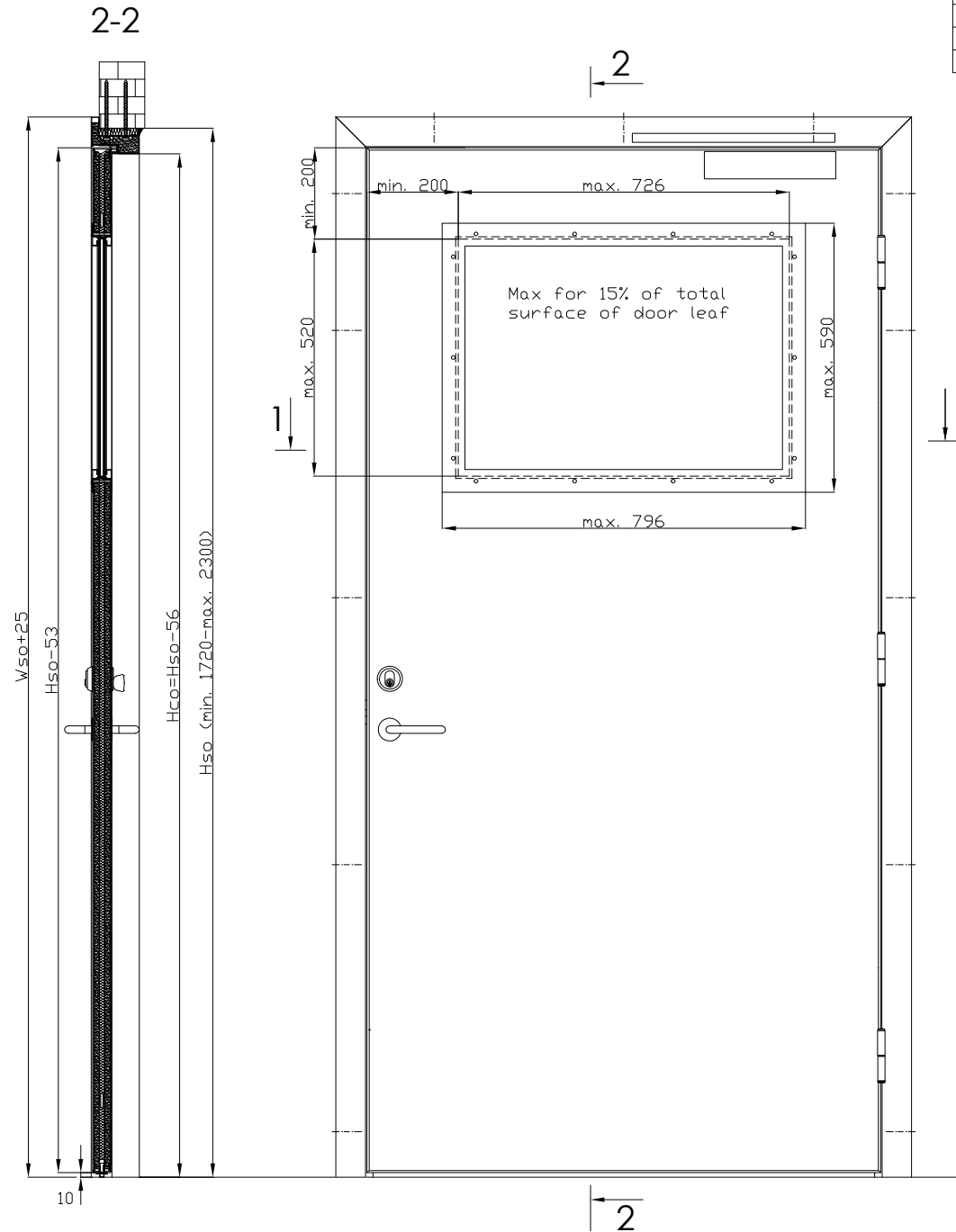


CHANGE HISTORY TABLE

No	Rev.	Modification description	Date	Initials
1.	01	Initial Release	14-11-2016	SK
2.				
3.				
4.				



Contact address:  
 THERMOD AB  
 Söderborgsvägen 32  
 SE-671 95 Klässbol, Sweden  
 tel. (0)570 72 74 70  
 fax. (0)570 72 74 71  
 info@thermod.se

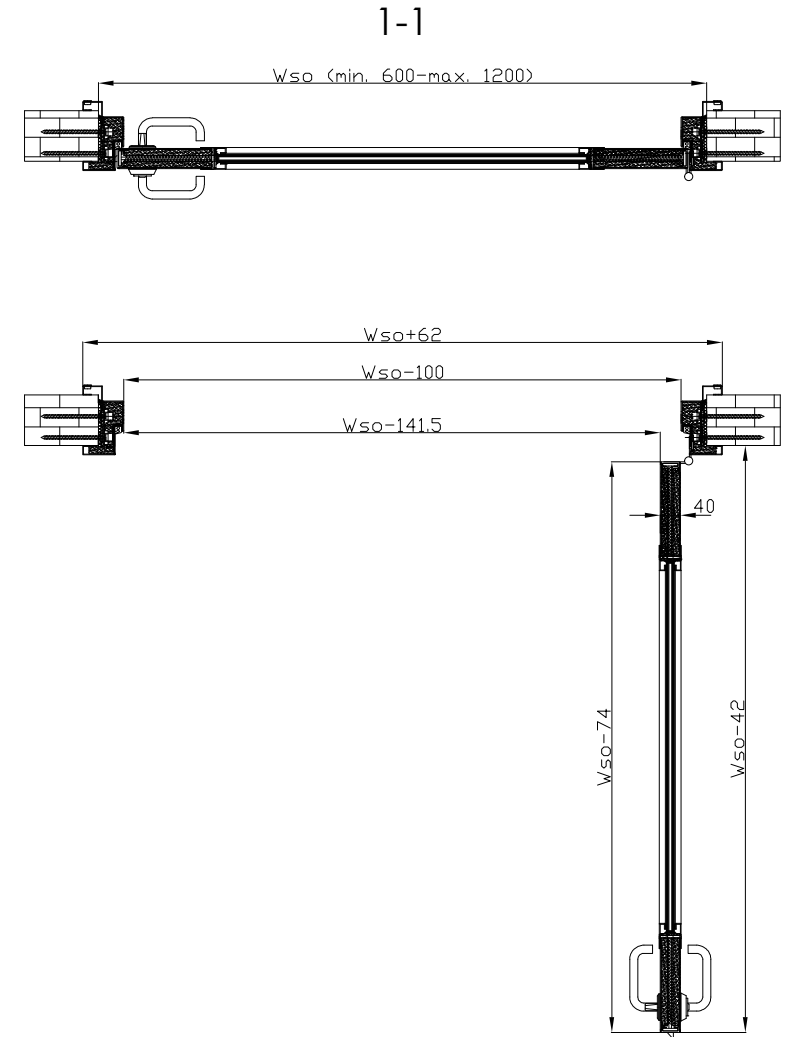
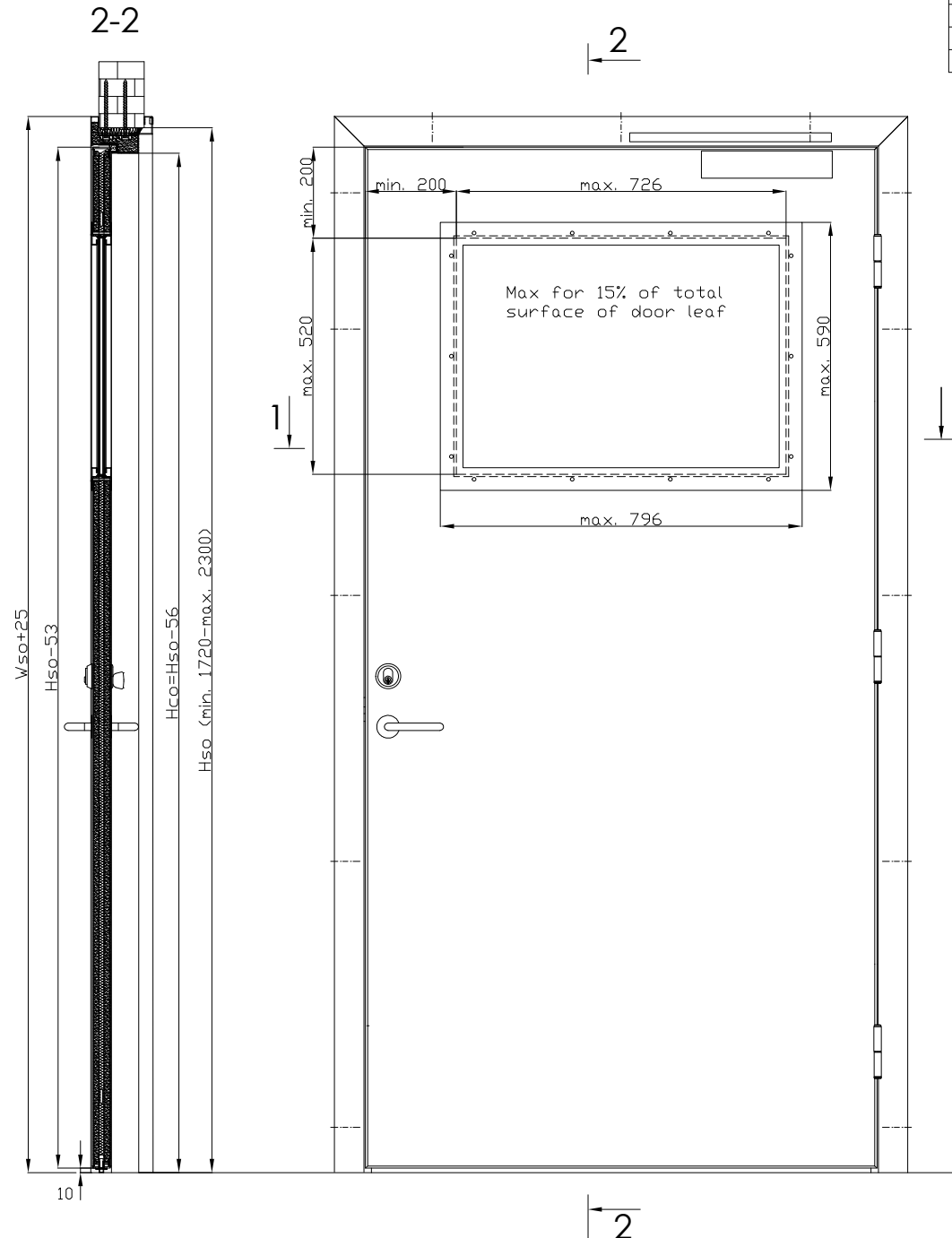
Drawing name:  
 ID EI30 Sa Sm  
 One side cover

Drawing number:  
 010-400-00

Date: 14-11-2016	Drawn by: S.Kogut	Scale: 1:10	Print format: A3	Revision: 01
---------------------	----------------------	----------------	---------------------	-----------------

CHANGE HISTORY TABLE

No	Rev.	Modification description	Date	Initials
1.	01	Initial Release	14-11-2016	SK
2.				
3.				
4.				



Contact address:  
 THERMOD AB  
 Söderborgsvägen 32  
 SE-671 95 Klässbol, Sweden  
 tel. (0)570 72 74 70  
 fax. (0)570 72 74 71  
 info@thermod.se

Drawing name:  
**ID EI30 Sa Sm**  
**Two sides cover**

Date: 14-11-2016  
 Drawn by: S.Kogut  
 Scale: 1:10

Drawing number:  
**010-410-00**

Print format: A3  
 Revision: 01