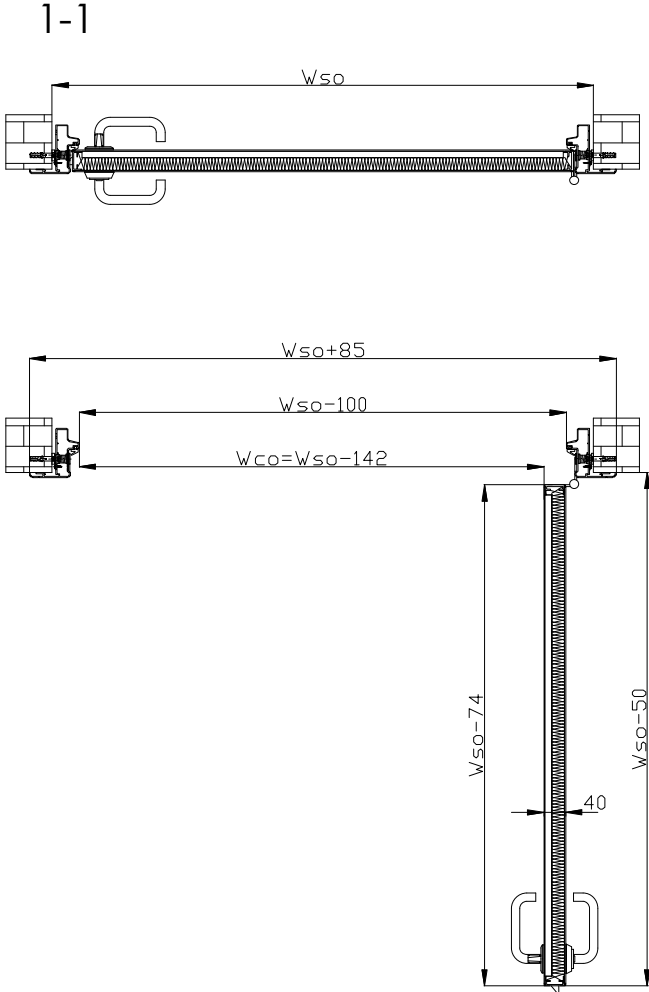
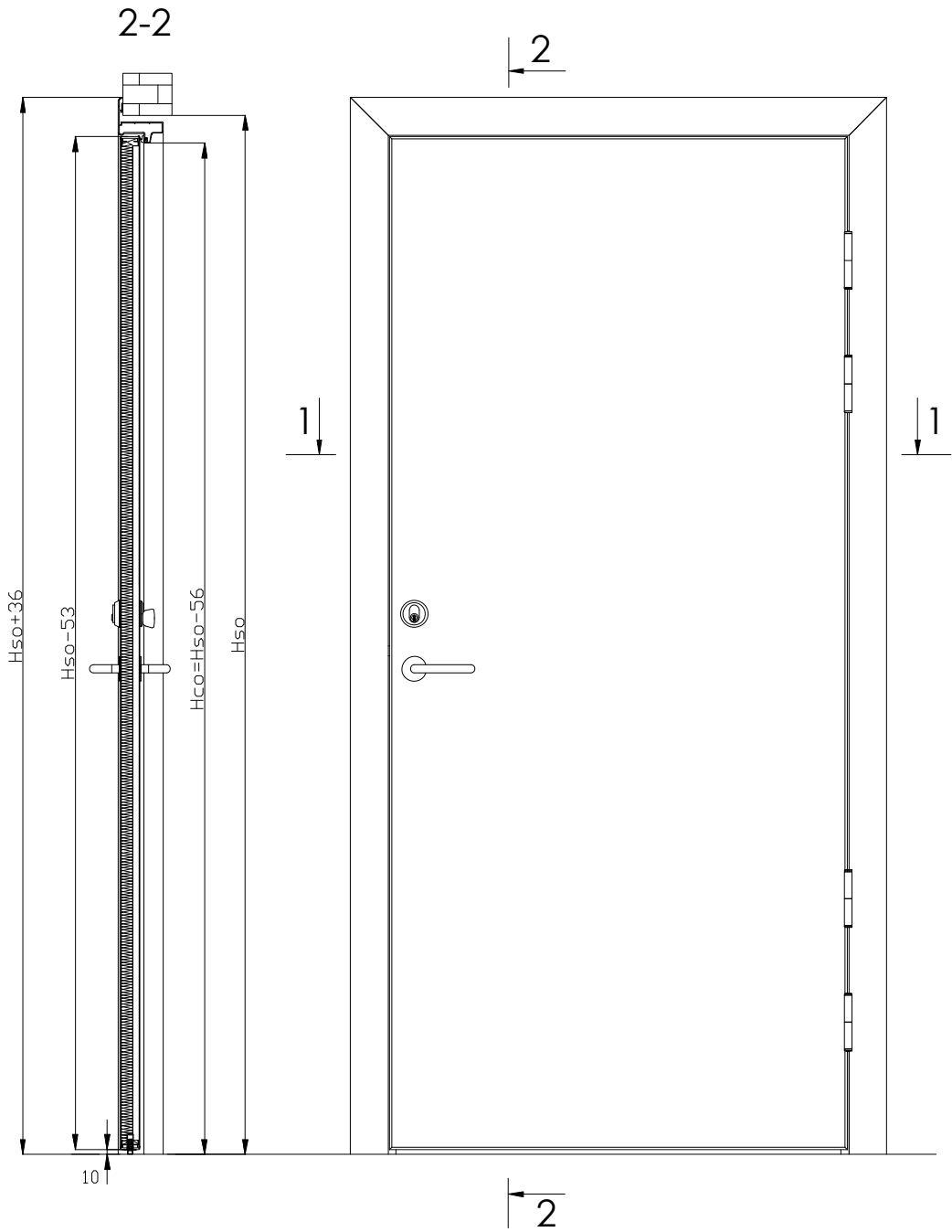


CHANGE HISTORY TABLE

No	Rev.	Modification description	Date	Initials
1.	01	Initial Release	02-09-2013	EM
2.				
3.				
4.				



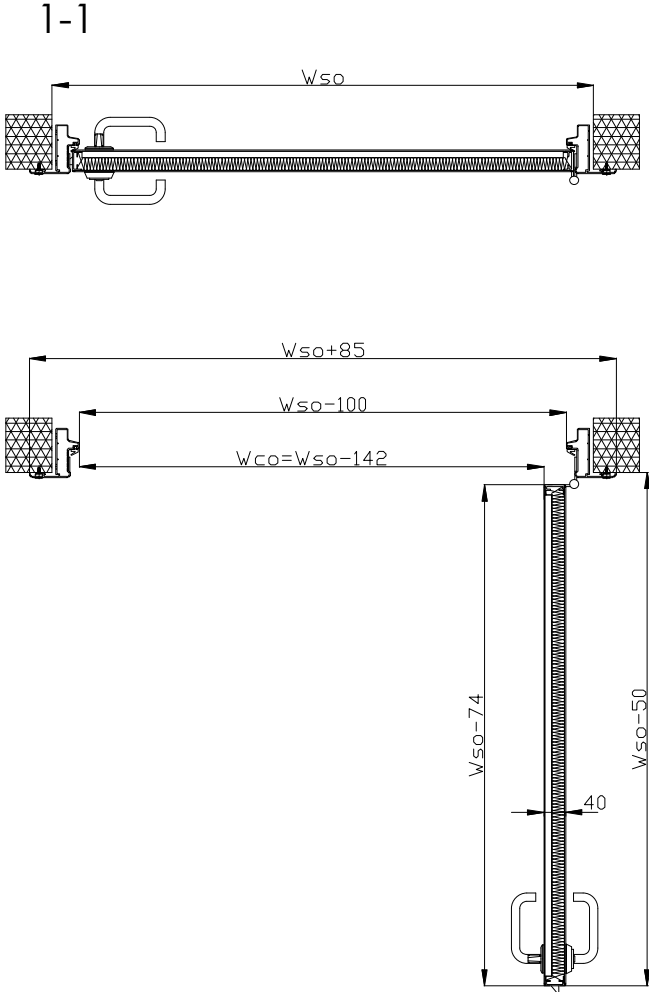
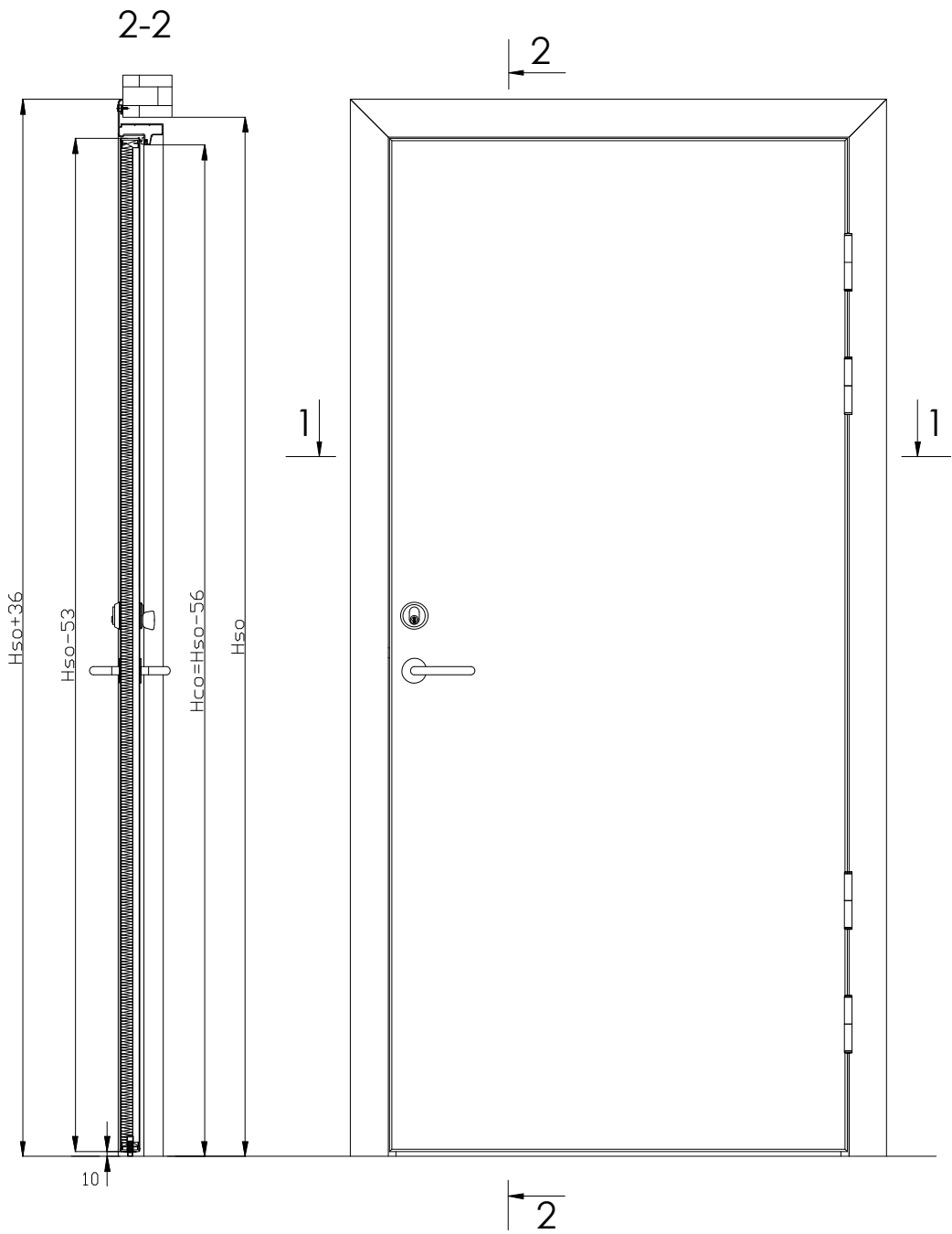
Contact address:
THERMOD AB
 Söderborgsvägen 32
 SE-671 95 Klässbol, Sweden
 tel. (0)570 72 74 70
 fax. (0)570 72 74 71
 info@thermod.se

Drawing name:
ID Rw 30 certified door, one sided cover, mounting for wall
 Date: 02-09-2013
 Drawn by: E.Malczak
 Scale: 1:10

Drawing number:
010-034-00
 Print format: A3
 Revision: 01

CHANGE HISTORY TABLE

No	Rev.	Modification description	Date	Initials
1.	01	Initial Release	02-09-2013	EM
2.				
3.				
4.				



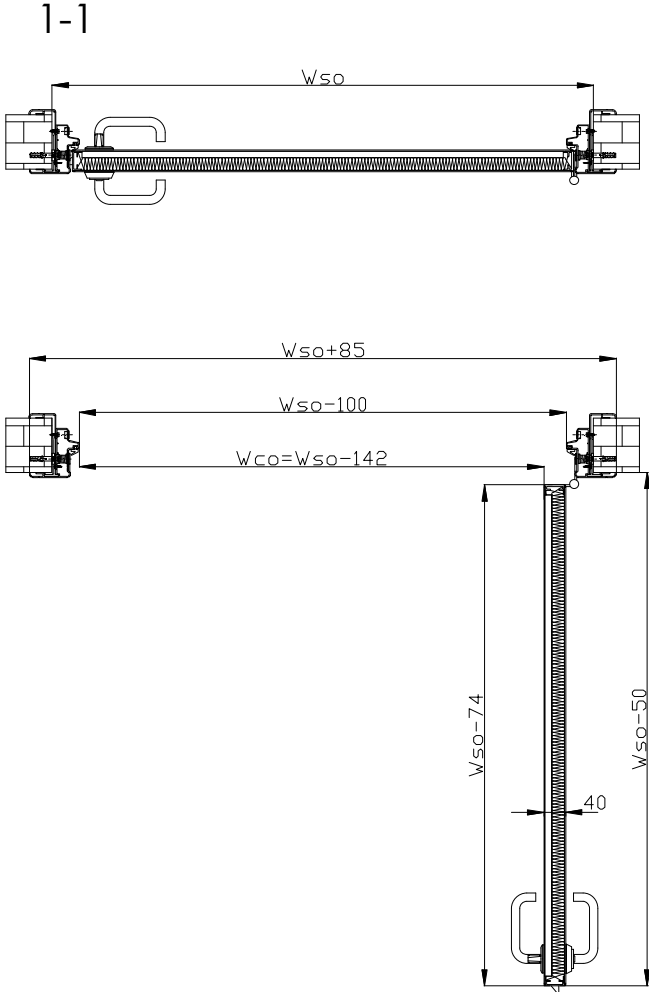
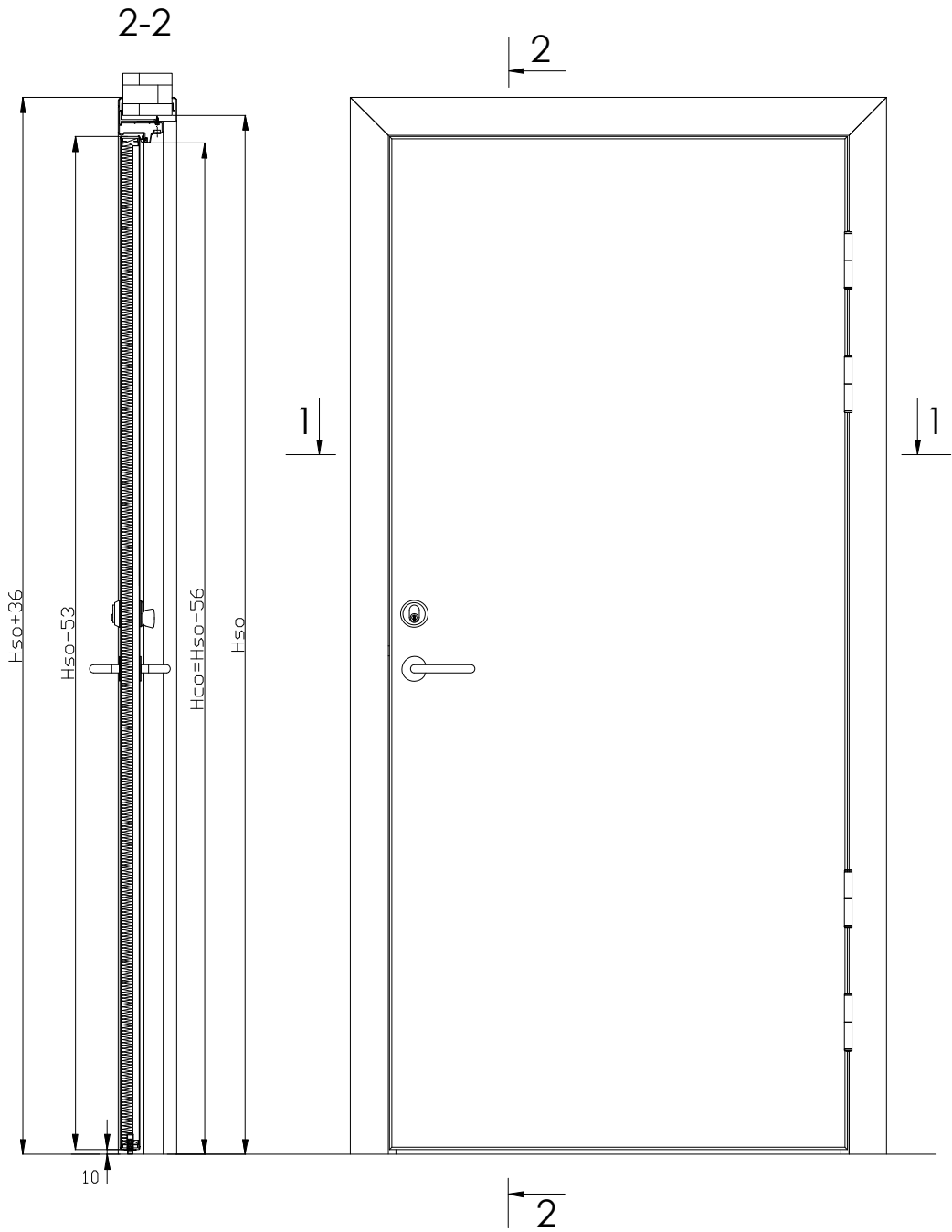
Contact address:
THERMOD AB
 Söderborgsvägen 32
 SE-671 95 Klässbol, Sweden
 tel. (0)570 72 74 70
 fax. (0)570 72 74 71
 info@thermod.se

Drawing name:
ID Rw 30 certified door, one sided cover, mounting for panel
 Date: 02-09-2013
 Drawn by: E.Malczak
 Scale: 1:10

Drawing number:
010-036-00
 Print format: A3
 Revision: 01

CHANGE HISTORY TABLE

No	Rev.	Modification description	Date	Initials
1.	01	Initial Release	02-09-2013	EM
2.				
3.				
4.				



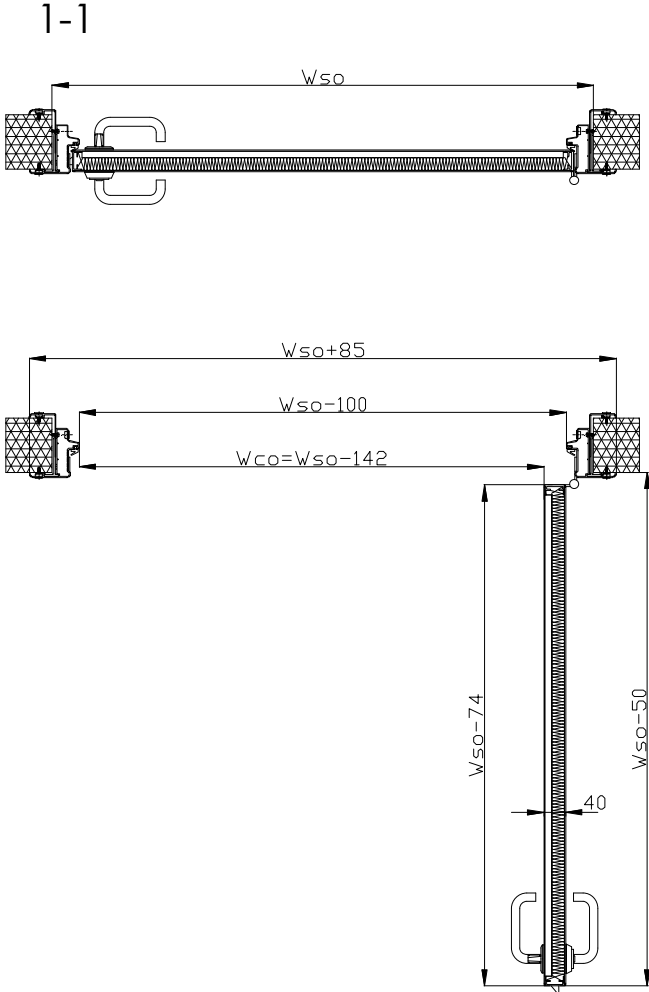
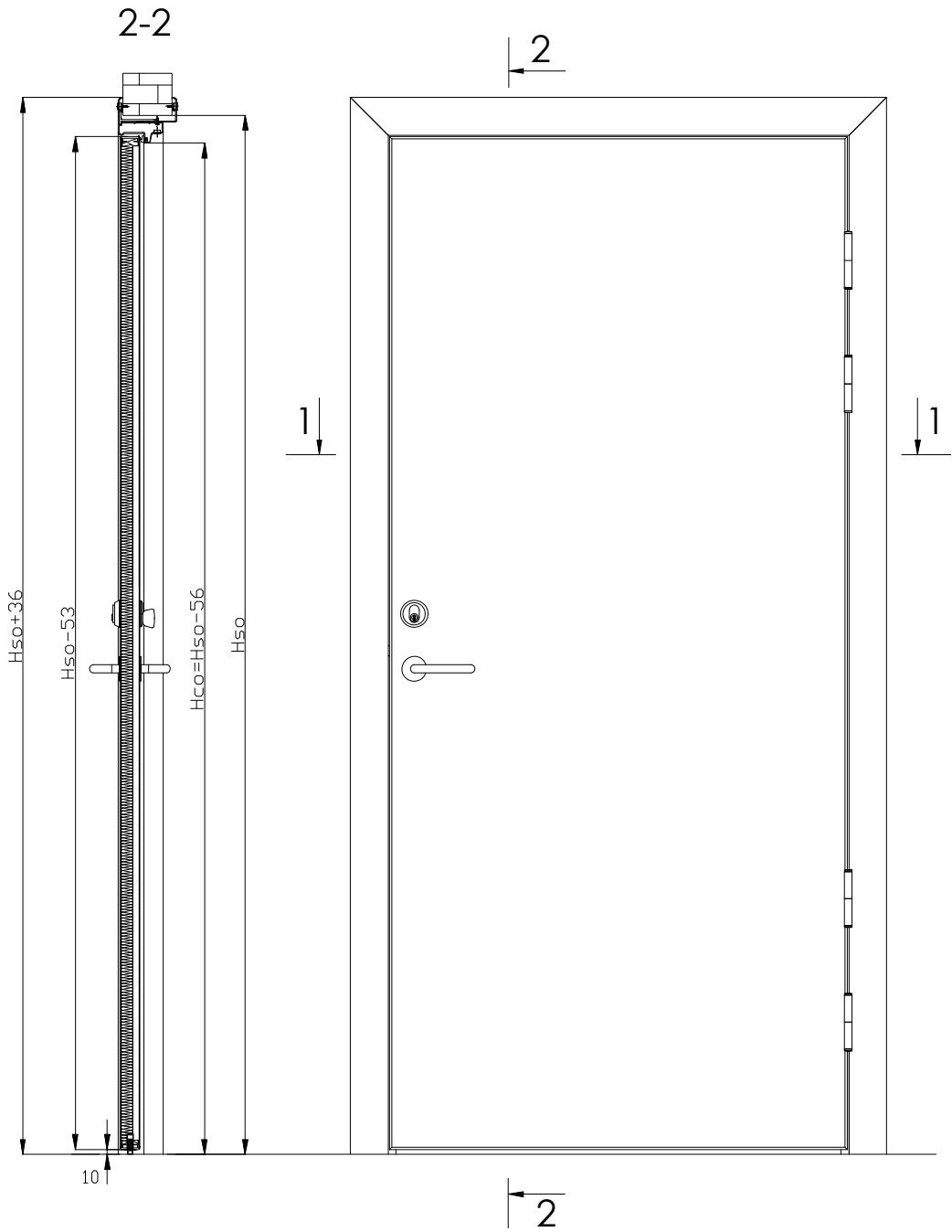
Contact address:
THERMOD AB
 Söderborgsvägen 32
 SE-671 95 Klässbol, Sweden
 tel. (0)570 72 74 70
 fax. (0)570 72 74 71
 info@thermod.se


Drawing name:
ID Rw 30 certified door, two sided cover, mounting for wall
 Date: 02-09-2013
 Drawn by: E.Malczak
 Scale: 1:10

Drawing number:
010-035-00
 Print format: A3
 Revision: 01

CHANGE HISTORY TABLE

No	Rev.	Modification description	Date	Initials
1.	01	Initial Release	02-09-2013	EM
2.				
3.				
4.				



	Contact address: THERMOD AB Söderborgsvägen 32 SE-671 95 Klässbol, Sweden tel. (0)570 72 74 70 fax. (0)570 72 74 71 info@thermod.se	Drawing name: ID Rw 30 certified door, twp sided cover, mounting for panel	Drawing number: 010-037-00	
	Date: 02-09-2013	Drawn by: E.Malczak	Scale: 1:10	Print format: A3