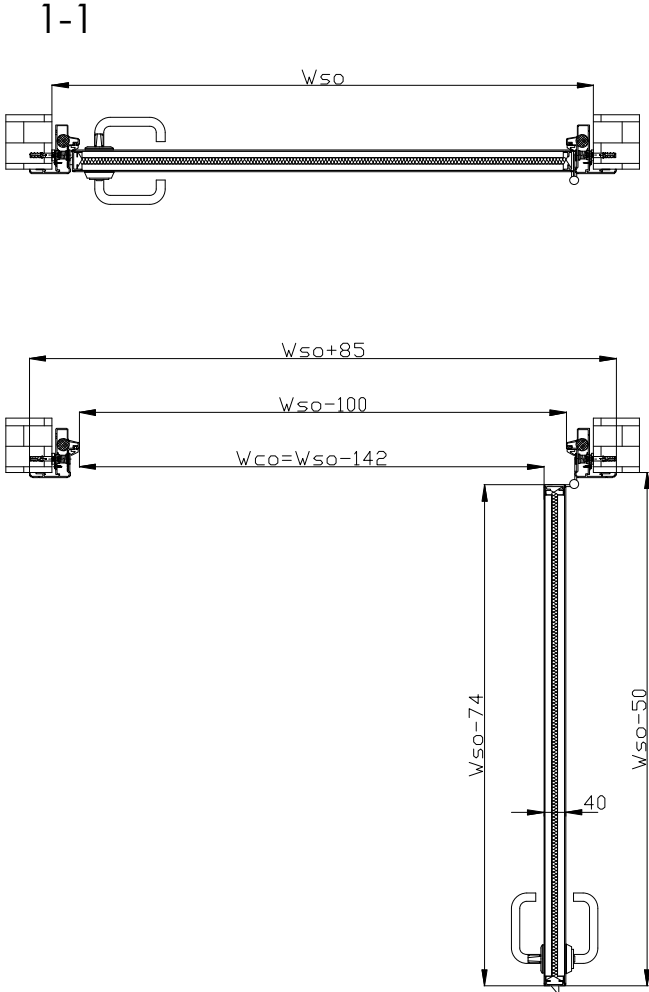
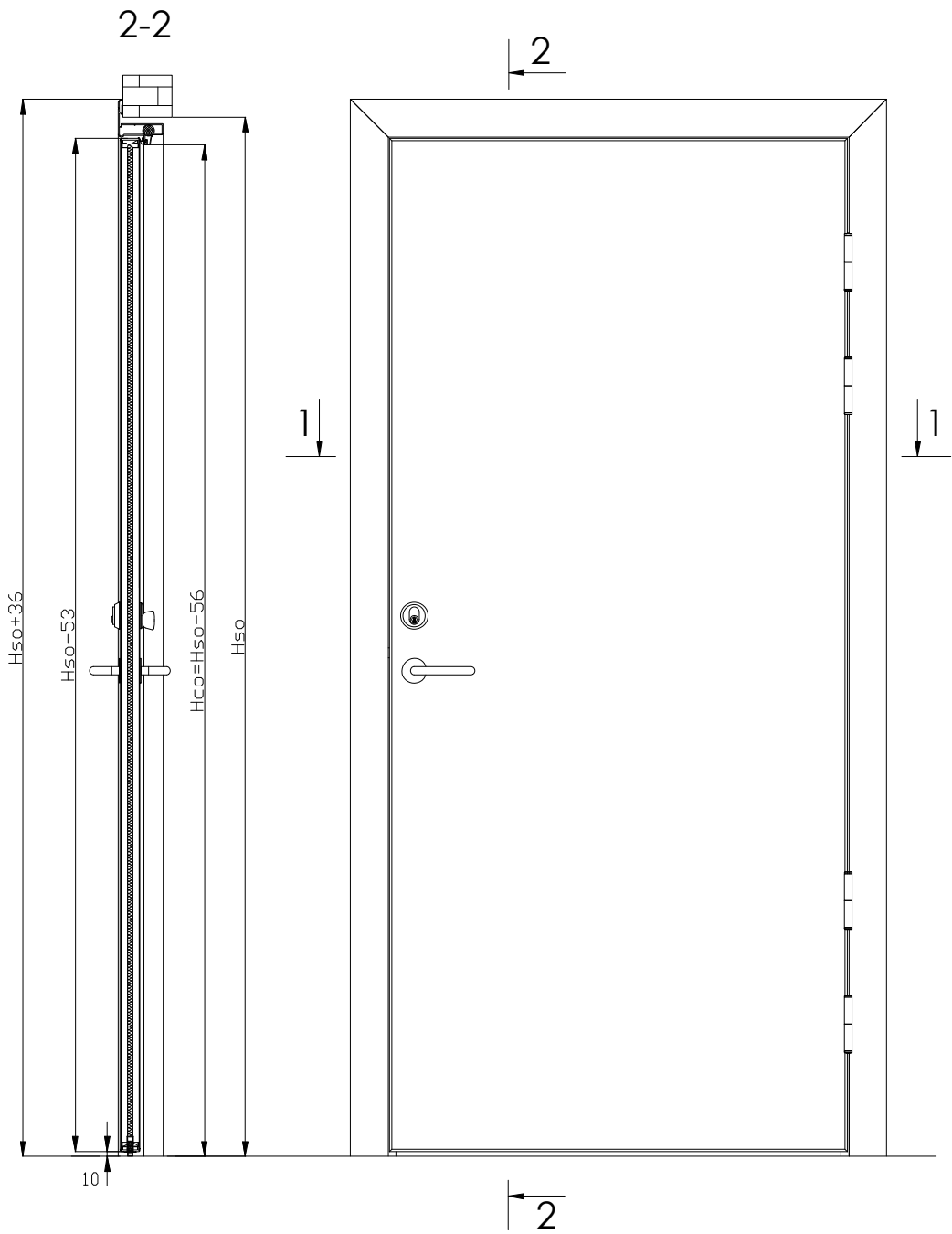


CHANGE HISTORY TABLE

No	Rev.	Modification description	Date	Initials
1.	01	Initial Release	25-02-2013	AD
2.				
3.				
4.				



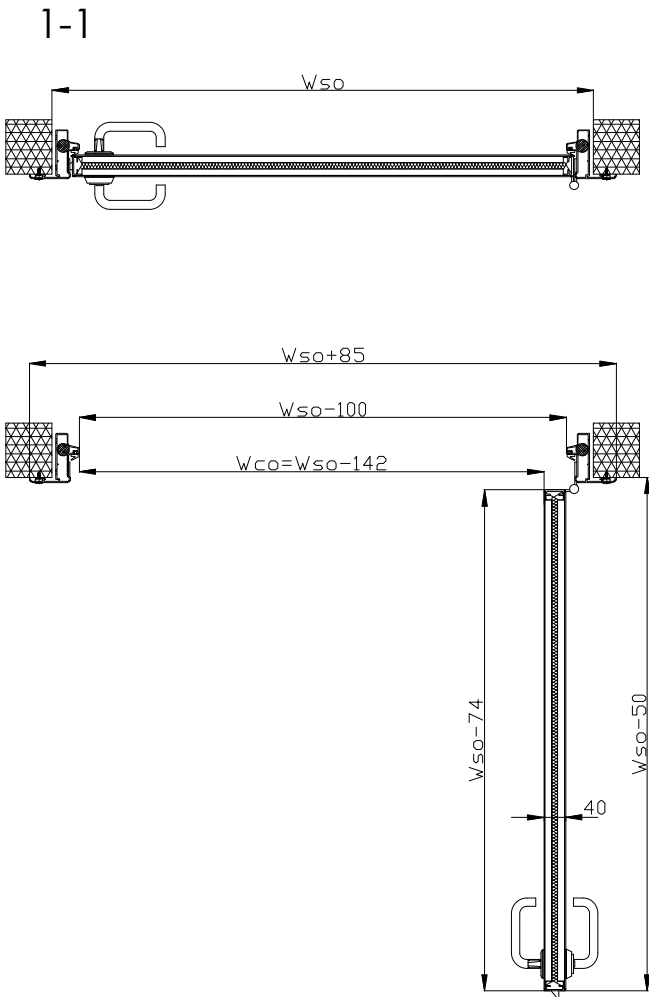
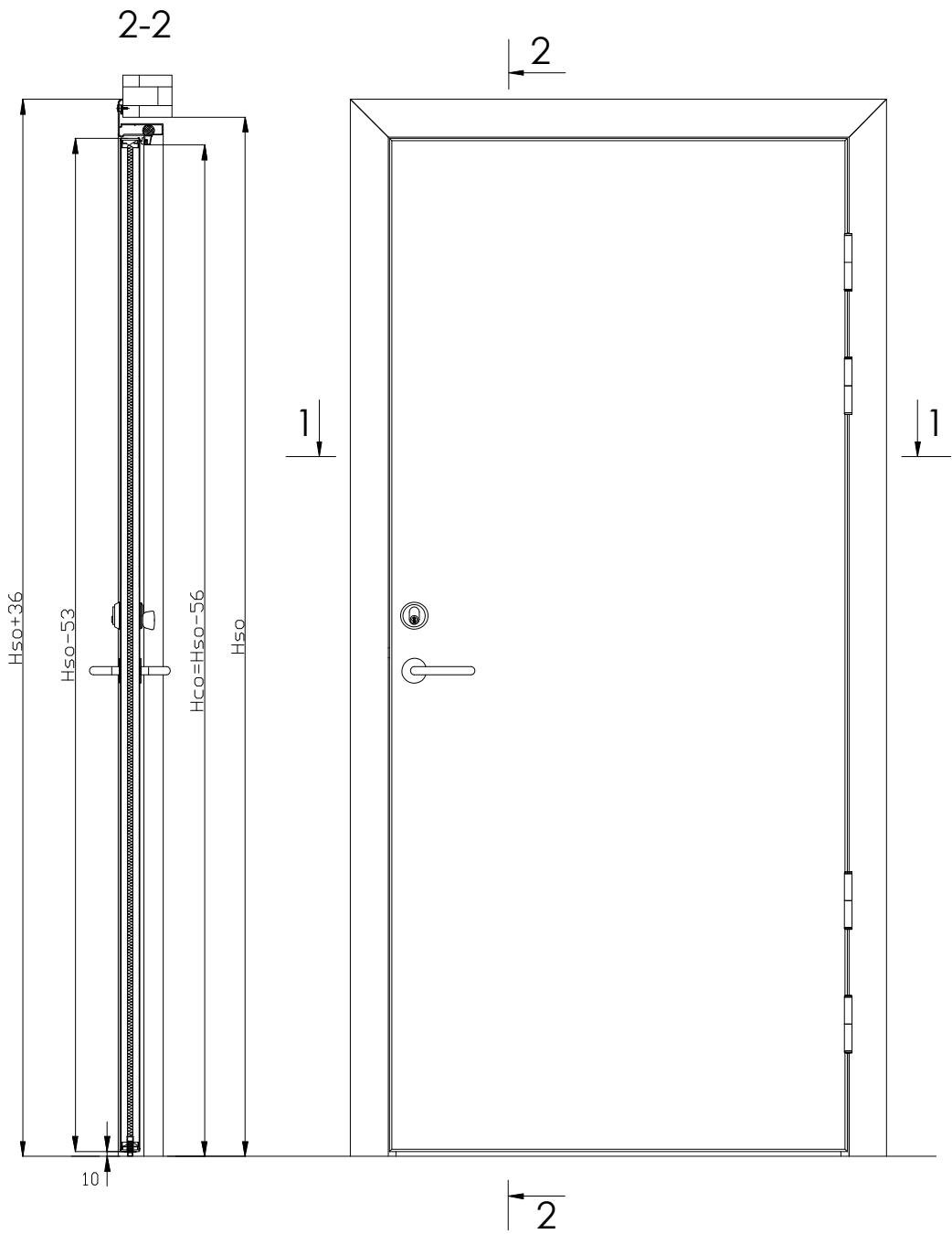
Contact address:  
**THERMOD AB**  
 Söderborgsvägen 32  
 SE-671 95 Klässbol, Sweden  
 tel. (0)570 72 74 70  
 fax. (0)570 72 74 71  
 info@thermod.se

Drawing name:  
**ID Rw 34 certified door, one sided cover, mounting for wall**  
 Date: 25-02-2013  
 Drawn by: A.DZIEWALTOWSKI  
 Scale: 1:10

Drawing number:  
**010-030-00**  
 Print format: A3  
 Revision: 01

CHANGE HISTORY TABLE

No	Rev.	Modification description	Date	Initials
1.	01	Initial Release	20-03-2013	AD
2.				
3.				
4.				



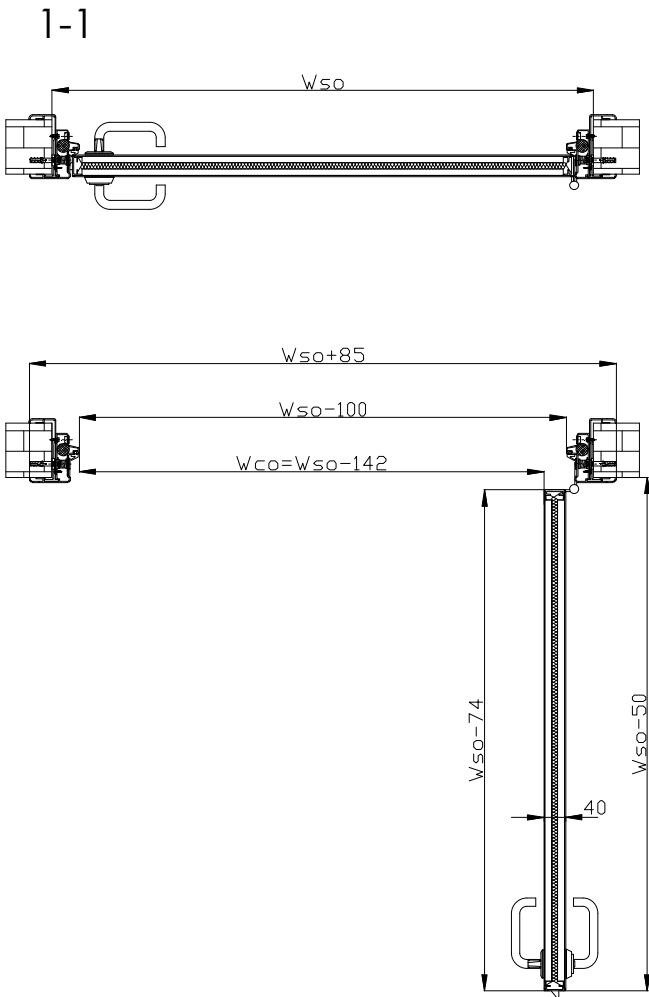
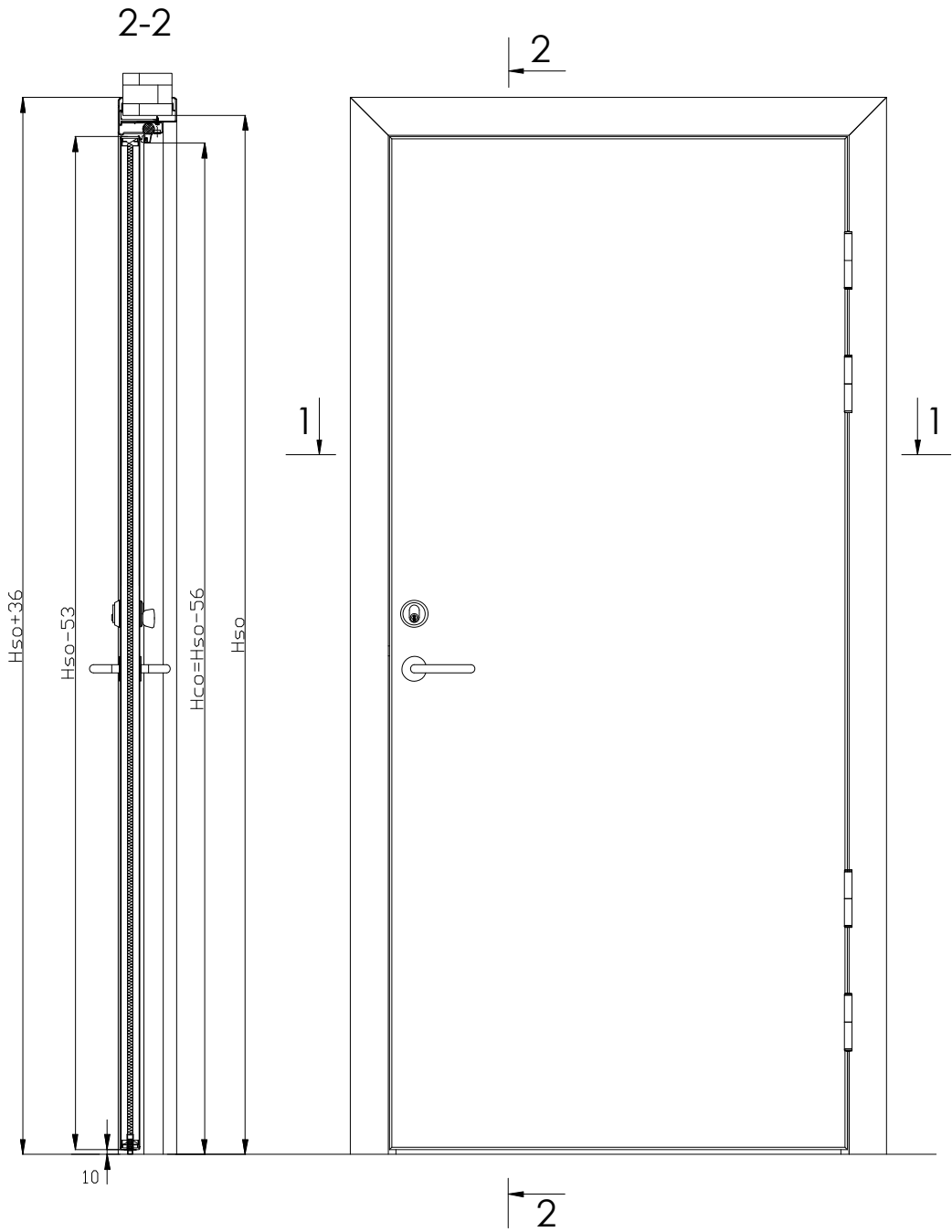
Contact address:  
**THERMOD AB**  
 Söderborgsvägen 32  
 SE-671 95 Klässbol, Sweden  
 tel. (0)570 72 74 70  
 fax. (0)570 72 74 71  
 info@thermod.se

Drawing name:  
**ID Rw 34 certified door, one sided cover, mounting for panel**  
 Date: 20-03-2013  
 Drawn by: A.DZIEWIALTOWSKI  
 Scale: 1:10

Drawing number:  
**010-032-00**  
 Print format: A3  
 Revision: 01

CHANGE HISTORY TABLE

No	Rev.	Modification description	Date	Initials
1.	01	Initial Release	20-03-2013	AD
2.				
3.				
4.				



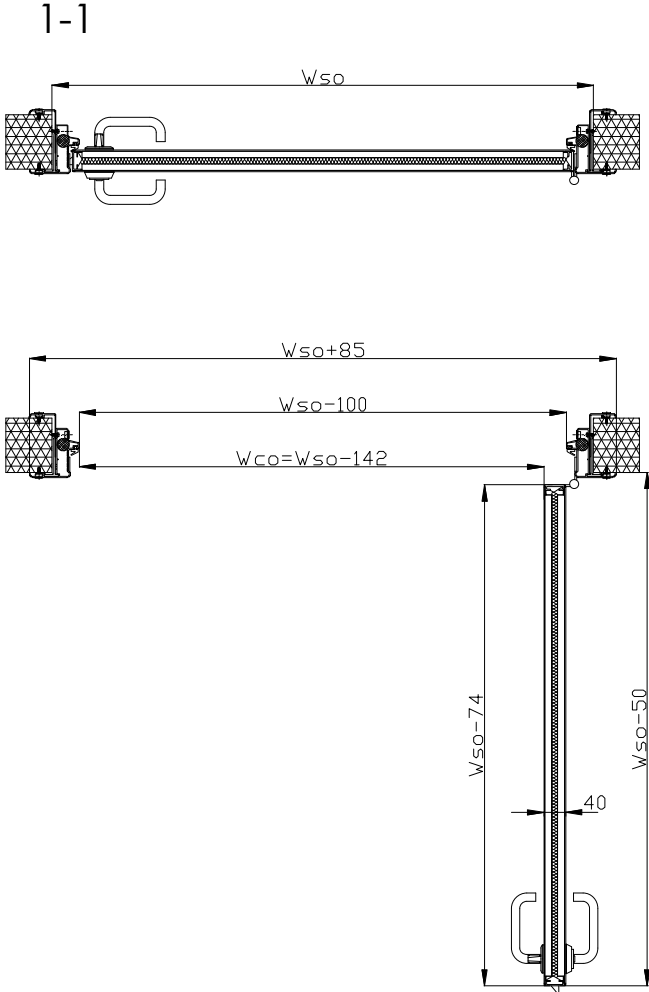
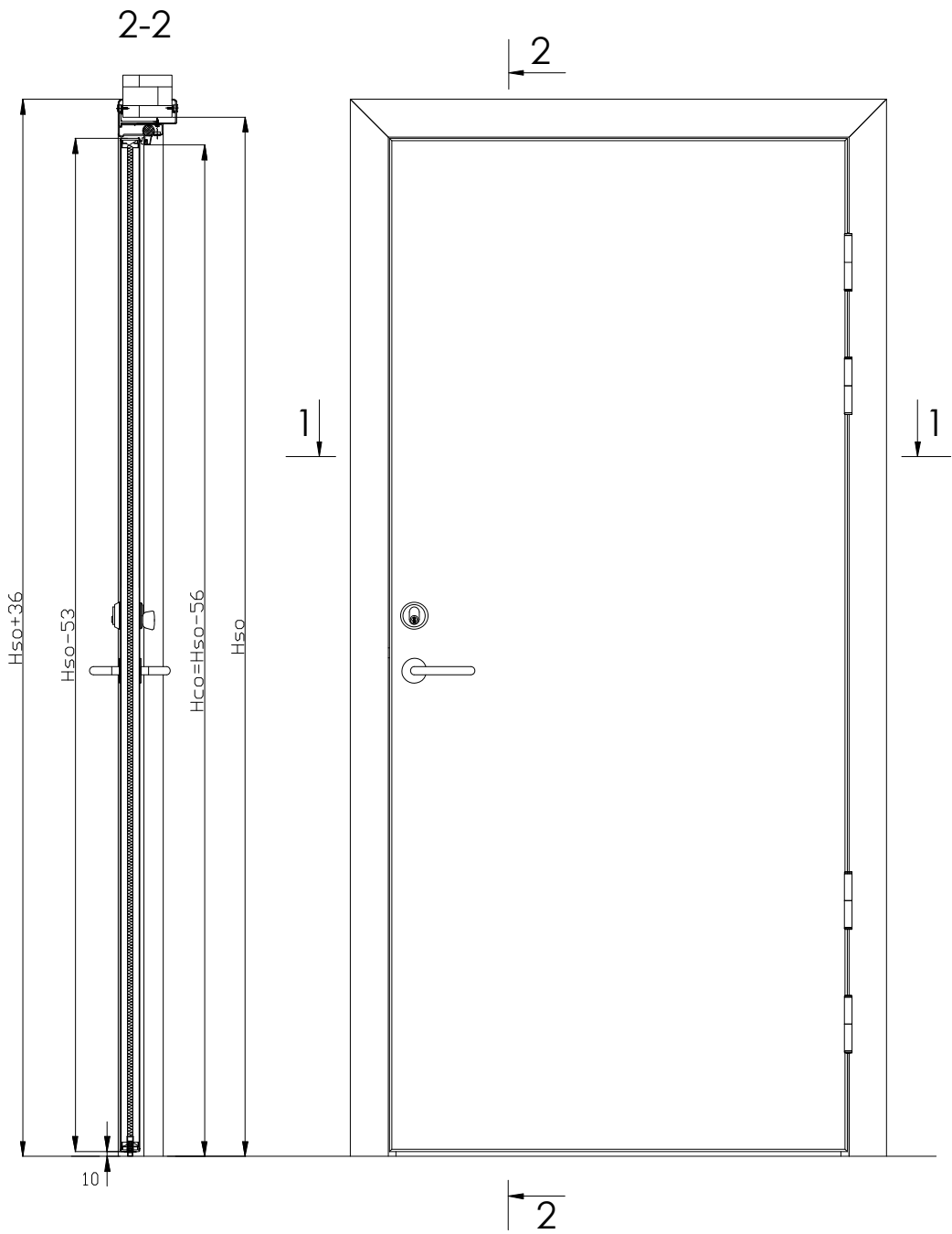
Contact address:  
**THERMOD AB**  
 Söderborgsvägen 32  
 SE-671 95 Klässbol, Sweden  
 tel. (0)570 72 74 70  
 fax. (0)570 72 74 71  
 info@thermod.se


Drawing name:  
**ID Rw 34 certified door, two sided cover, mounting for wall**  
 Date: 20-03-2013  
 Drawn by: A.DZIEWIALTOWSKI  
 Scale: 1:10

Drawing number:  
**010-031-00**  
 Print format: A3  
 Revision: 01

CHANGE HISTORY TABLE

No	Rev.	Modification description	Date	Initials
1.	01	Initial Release	20-03-2013	AD
2.				
3.				
4.				



	Contact address: THERMOD AB Söderborgsvägen 32 SE-671 95 Klässbol, Sweden tel. (0)570 72 74 70 fax. (0)570 72 74 71 info@thermod.se	Drawing name: <b>ID Rw 34 certified door, twp sided cover, mounting for panel</b>	Drawing number: 010-033-00	
	Date: 20-03-2013	Drawn by: A.DZIEWIALTOWSKI	Scale: 1:10	Print format: A3