

manusa 

DDS-S SENSOR



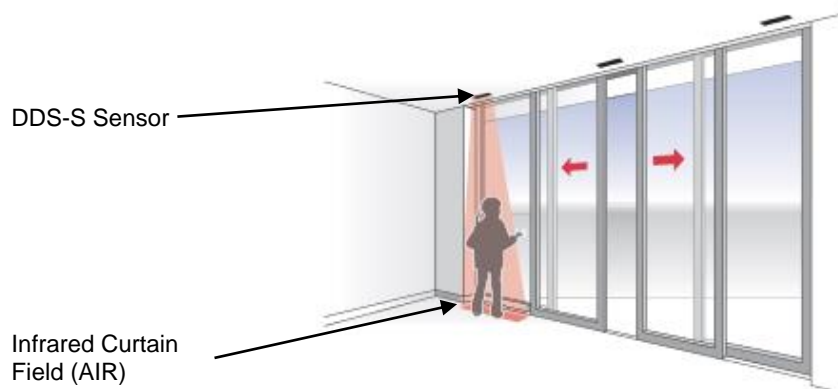
1 - DESCRIPTION

The MANUSA **DDS-S** Sensor is an innovative detector with active infrared technology (AIR) for pedestrian protection in the **opening area** of the automatic sliding doors, providing an especially important protection for children, elderly people, people with disabilities or with reduced mobility.

It can also be used for the protection of pedestrians in the **closing area** where the door is not activated by a sensor and, for example it is activated by a button instead.

The active infrared presence detection (AIR) from the DDS-S sensor **safely** offers the ability to detect a person or object, keeping the door in a safe position as long as the person remains in the safe area, even if the person is not in motion. The detection area allows a **precise adjustment**.

The size of the detection area and the rest of the parameters can be digitally adjusted very easily thanks to the sensor's **LCD display**.

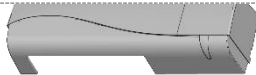



The sensor uses four visible beam spots on the floor to set the angle of the safety curtain.

Together with the range of **DDS hybrid sensors**, it allows configuration of the most complete set of safety and activation solutions for **manusa** automatic sliding doors.




2 - COMPONENTS

The DDS-S sensor is comprised of:

Cover	
Sensor	
Connection cable	

3 - ACCESSORIES

The DDS-S sensor has the following specific accessories:

CA: Recessed Kit	BA: Top Bracket	RA: Anti-Rain Cover
Accessory allowing the sensor to be embedded in the door cover or in a false ceiling to minimise the visual impact.	Bracket to secure the sensor to the ceiling.	Accessory to protect the sensor from inclement weather.
		

4 – TECHNICAL SPECIFICATIONS

Technology	Active infrared (AIR)
Voltage	12 - 30 V DC
Power consumption	2,5W (210 mA @ 12V)
Outputs	Open standard potential free contact (optocoupled)
Mounting height	2 m - 3,5 m
Presence detection area (AIR)	2 x 0.2 m to 2.2 m high
Ambient working temperature:	-25°C up to +55°C
Max. relative humidity:	95% without condensation
Protection type:	IP54
Dimensions:	265 x 60 x 55 mm
AIR performance level in accordance with EN 13849	Cat. 2 PL c

5 – APPLICABLE STANDARDS AND DIRECTIVES

Safety in Use of Automatic Doors	UNE-EN 16005
Safety Devices for Automatic Doors	UNE-EN 12978
Electromagnetic Compatibility Directive	2004/108/CE
Machinery Directive	2006/42/CE

manusa 

OFICINAS CENTRALES
 Av. Vía Augusta, 85-87, 6^a
 08174 Sant Cugat del Vallés
 Barcelona - España
 Tel. +34 902 321 400
 Fax +34 902 321 450

Las características reflejadas en este documento se dan a título informativo, y no tienen carácter contractual. El fabricante se reserva el derecho a modificaciones sin previo aviso.
 The characteristics indicated in this manual are purely informative and are in no way binding. The manufacturer reserves the right to make modifications without prior notice.
 Les caractéristiques reflétées dans ce document sont données à titre indicatif, elles n'ont pas de caractère contractuel. Le fabricant se réserve un droit de modifications sans avis préalable.
 As características exibidas neste manual se dão a título informativo, e não têm caráter contratual. O fabricante se reserva o direito a alterações sem aviso prévio.