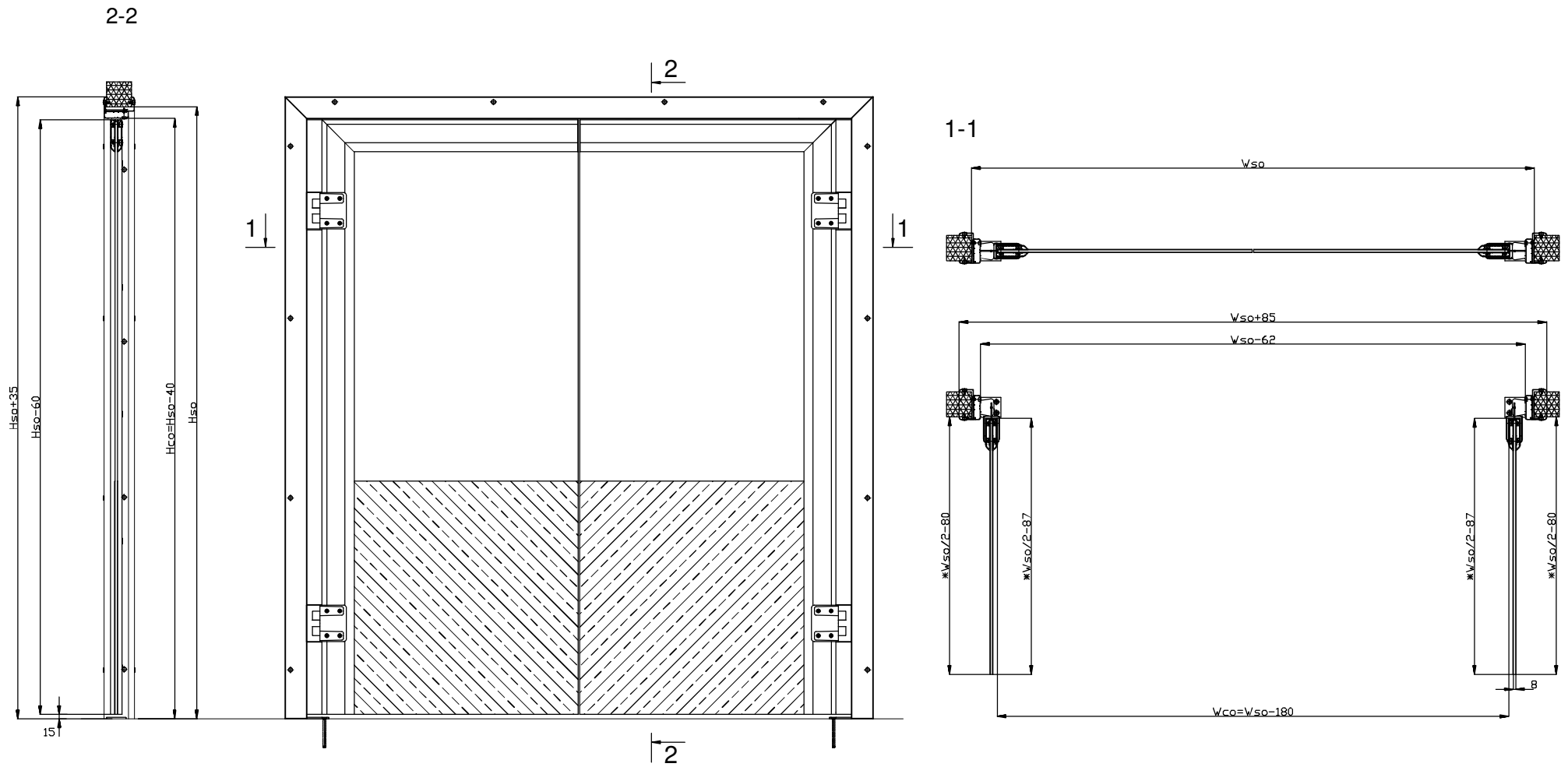


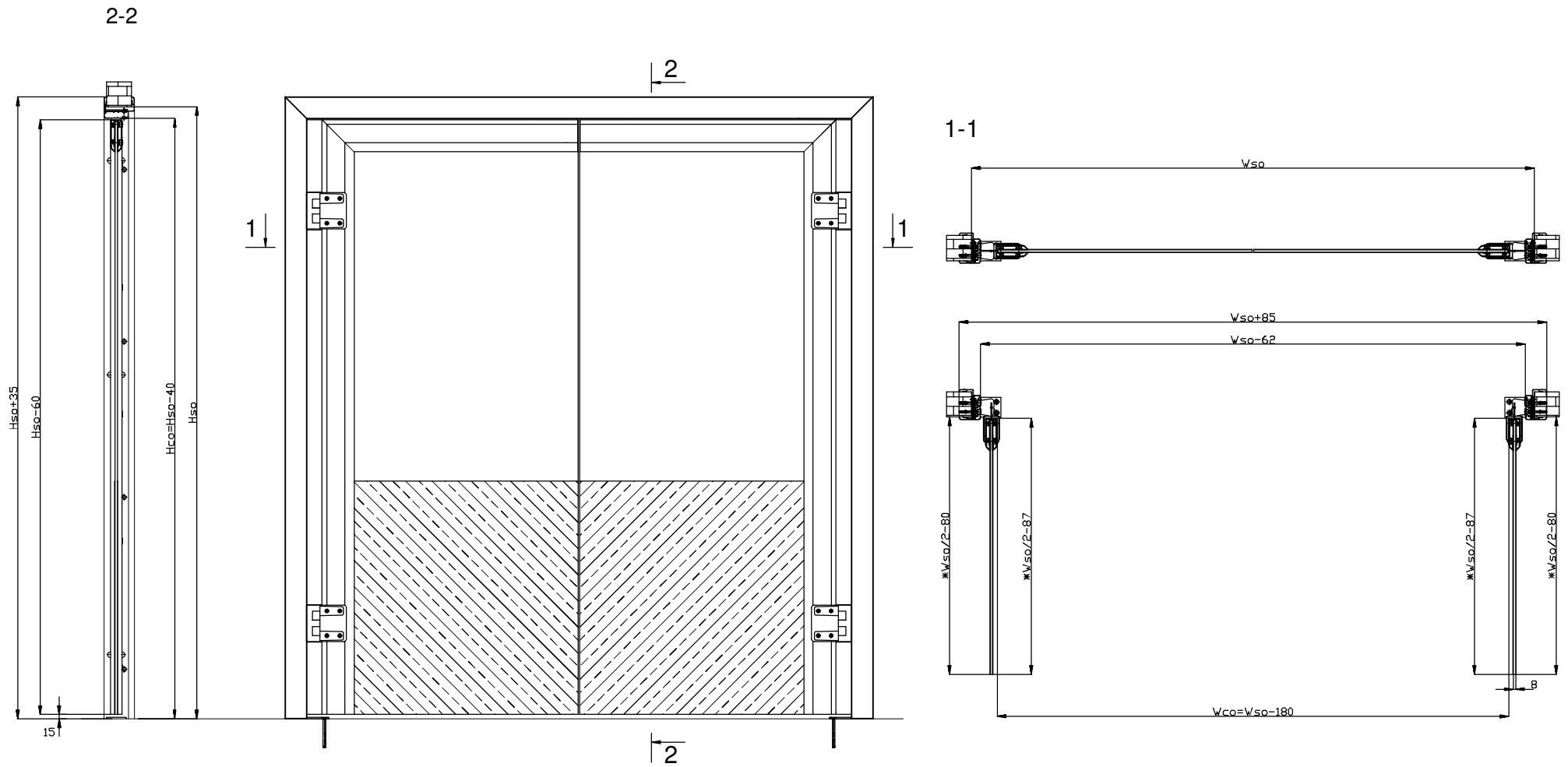
CHANGE HISTORY TABLE				
No	Rev.	Modification description	Date	Initials
1.	01	Initial Release	23-03-2012	PB
2.				
3.				



\* formula valid only for symmetrical leaves

	Contact address: THERMOD AB Söderborgsvägen 32 SE-671 95 Klässbol, Sweden tel. (0)570 72 74 70 fax. (0)570 72 74 71 info@thermod.se	Drawing name: PDKD, two sided cover (N2), mounting for panel	Drawing number: 050-023-00
	Date: 23-03-2012	Drawn by: P.Batura	Scale: 1:10

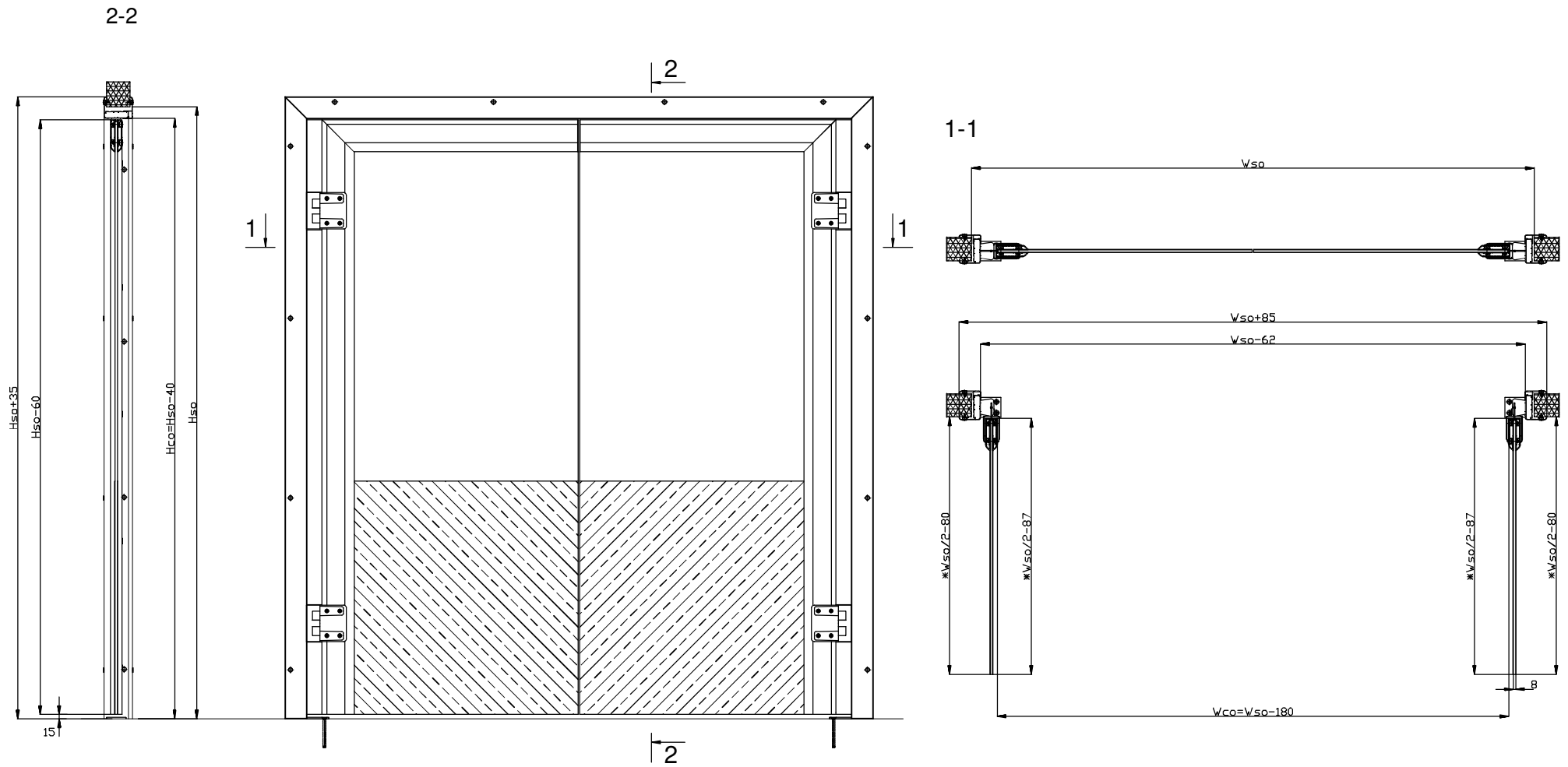
CHANGE HISTORY TABLE				
No	Rev.	Modification description	Date	Initials
1.	01	Initial Release	23-03-2012	PB
2.				
3.				



\* formula valid only for symmetrical leaves

	Contact address: THERMOD AB Söderborgsvägen 32 SE-671 95 Klässbol, Sweden tel. (0)570 72 74 70 fax. (0)570 72 74 71 info@thermod.se	Drawing name: PDKD, two sided cover (N2), mounting for wall	Drawing number: 050-021-00
	Date: 23-03-2012	Drawn by: P.Batura	Scale: 1:10

CHANGE HISTORY TABLE				
No	Rev.	Modification description	Date	Initials
1.	01	Initial Release	23-03-2012	PB
2.				
3.				

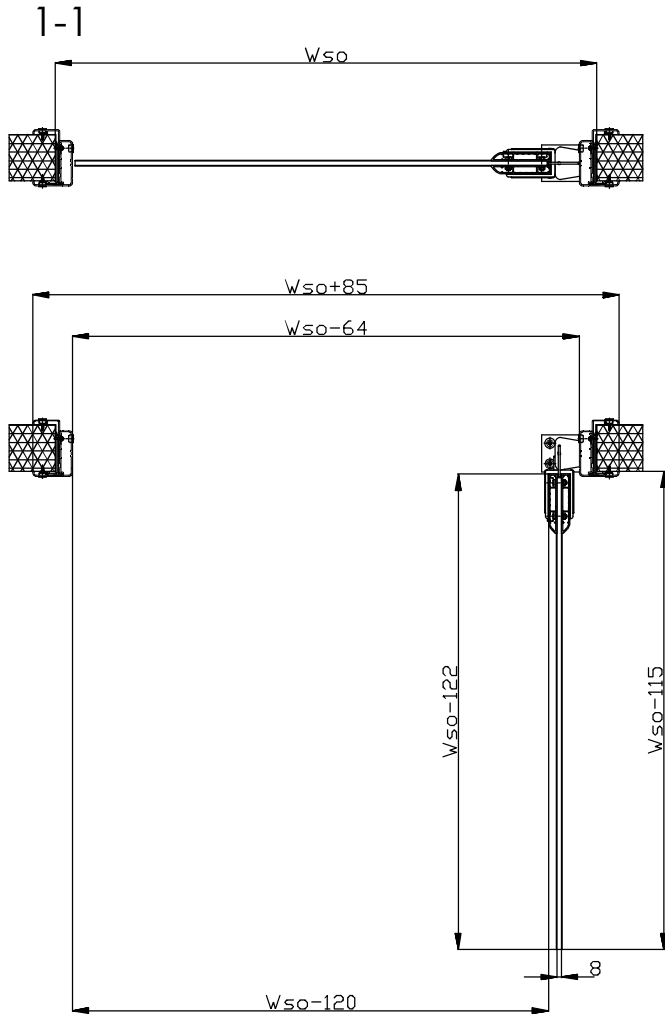
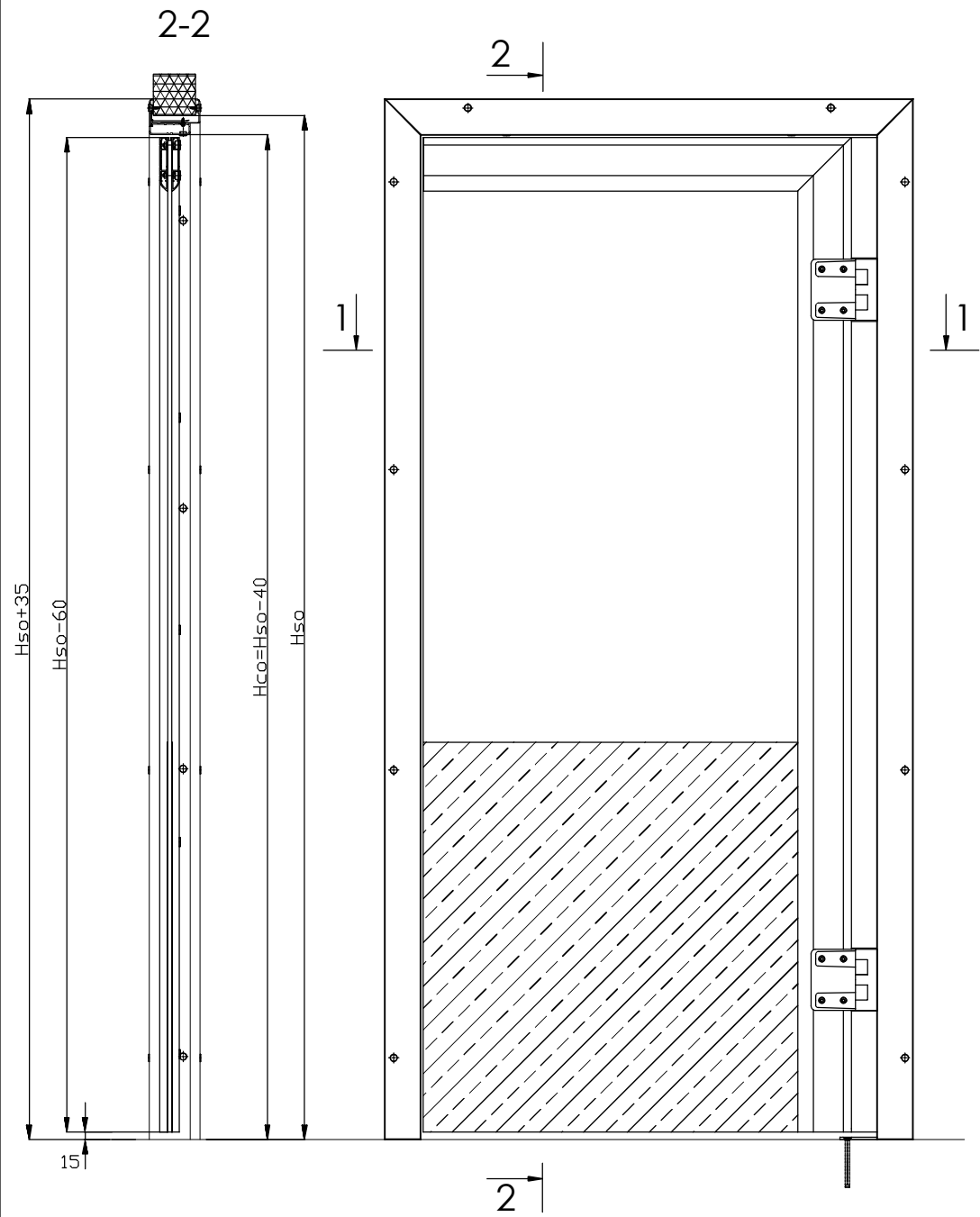


\* formula valid only for symmetrical leaves

	Contact address:	Drawing name:	Revision:
	THERMOD AB Söderborgsvägen 32 SE-671 95 Klässbol, Sweden tel. (0)570 72 74 70 fax. (0)570 72 74 71 info@thermod.se	PDKD, two sided cover (N1), mounting for panel 80mm	050-024-00
Date:	Drawn by:	Scale:	Print format:
23-03-2012	P.Batura	1:10	A2
			Revision:
			01

CHANGE HISTORY TABLE

No	Rev.	Modification description	Date	Initials
1.	01	Initial Release	22-03-2012	PB
2.				
3.				



Contact address:  
**THERMOD AB**  
 Söderborgsvägen 32  
 SE-671 95 Klässbol, Sweden  
 tel. (0)570 72 74 70  
 fax. (0)570 72 74 71  
 info@thermod.se

Drawing name:  
**PDK, two sided cover (N2),  
 mounting for panel**

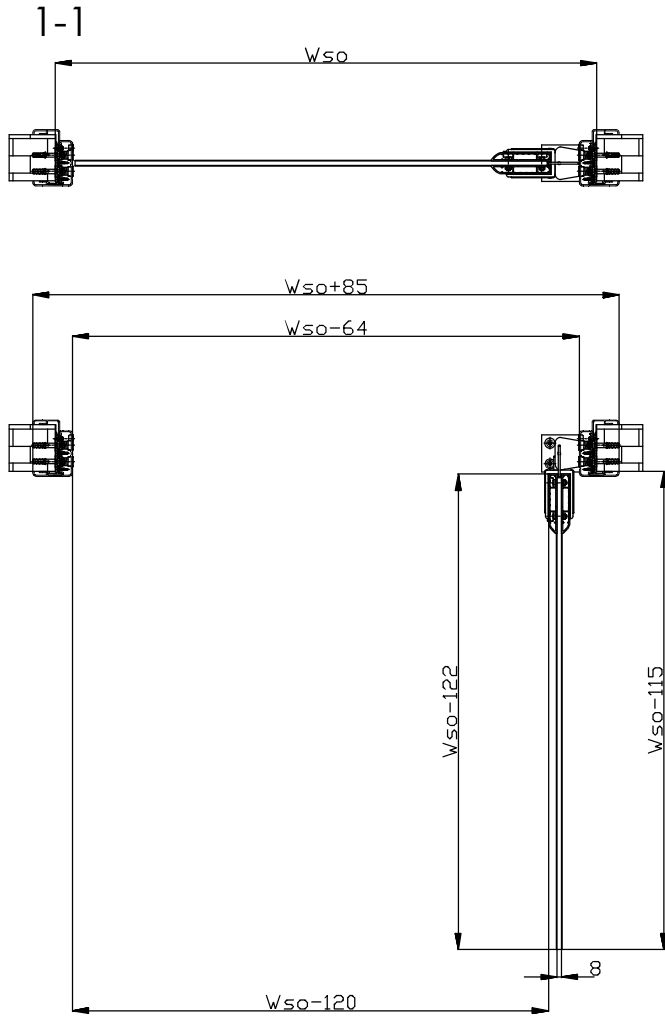
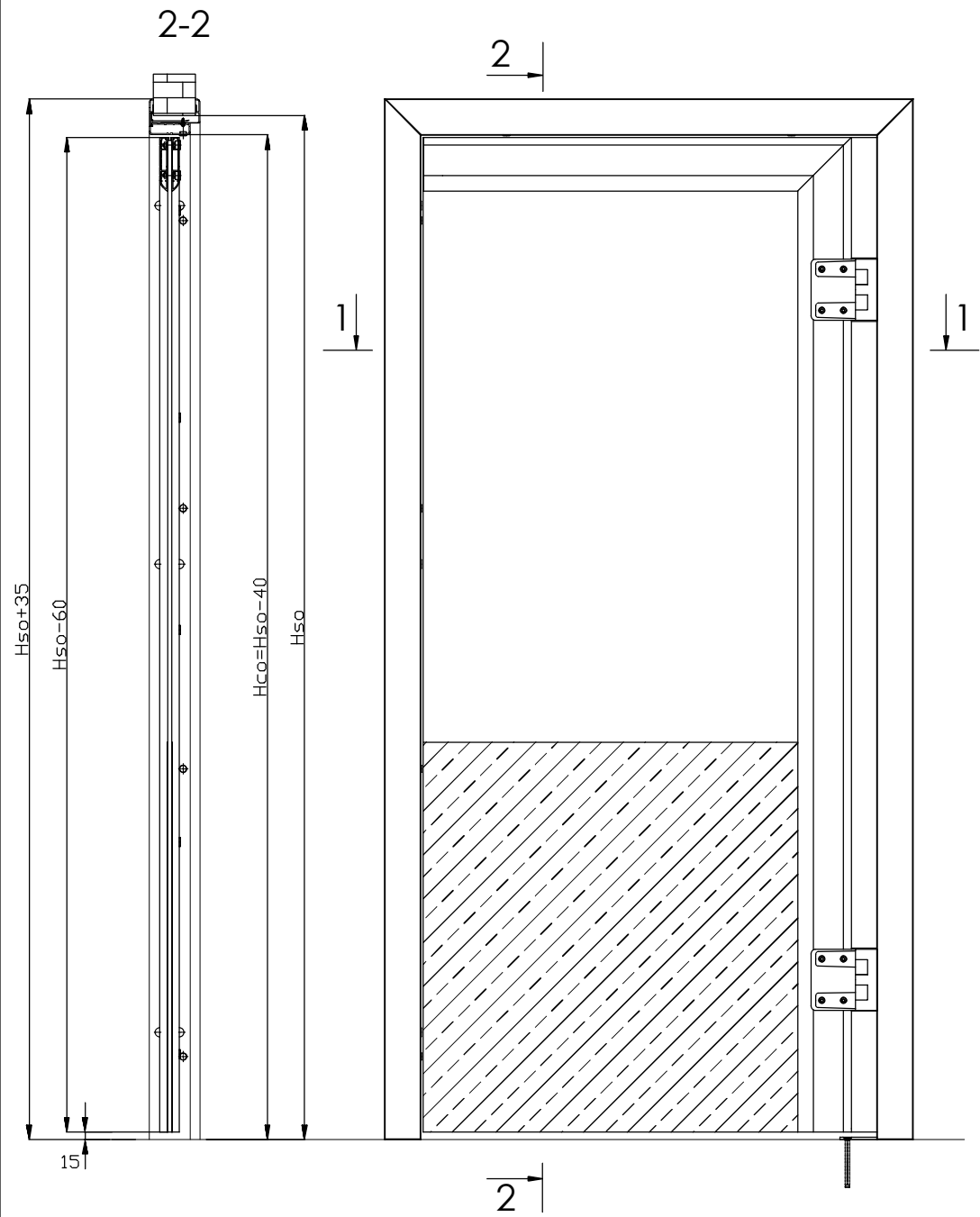
Date: 22-03-2012  
 Drawn by: P.Batura  
 Scale: 1:10

Drawing number:  
**050-013-00**

Print format: A3  
 Revision: 01

CHANGE HISTORY TABLE

No	Rev.	Modification description	Date	Initials
1.	01	Initial Release	22-03-2012	PB
2.				
3.				



Contact address:  
 THERMOD AB  
 Söderborgsvägen 32  
 SE-671 95 Klässbol, Sweden  
 tel. (0)570 72 74 70  
 fax. (0)570 72 74 71  
 info@thermod.se

Drawing name:  
**PDK, two sided cover (N2),  
 mounting for wall**

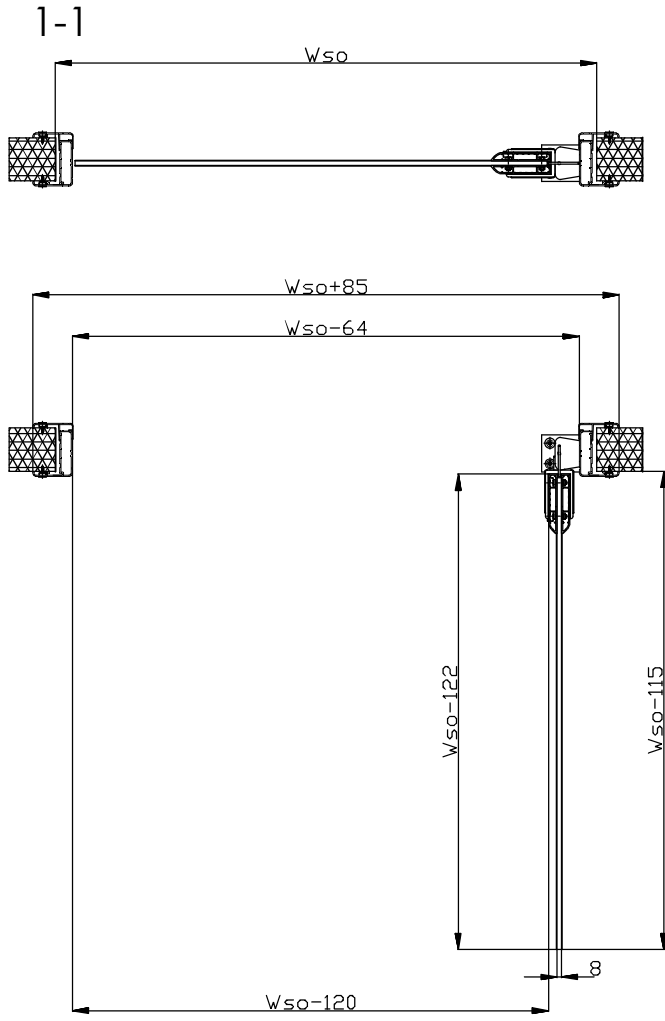
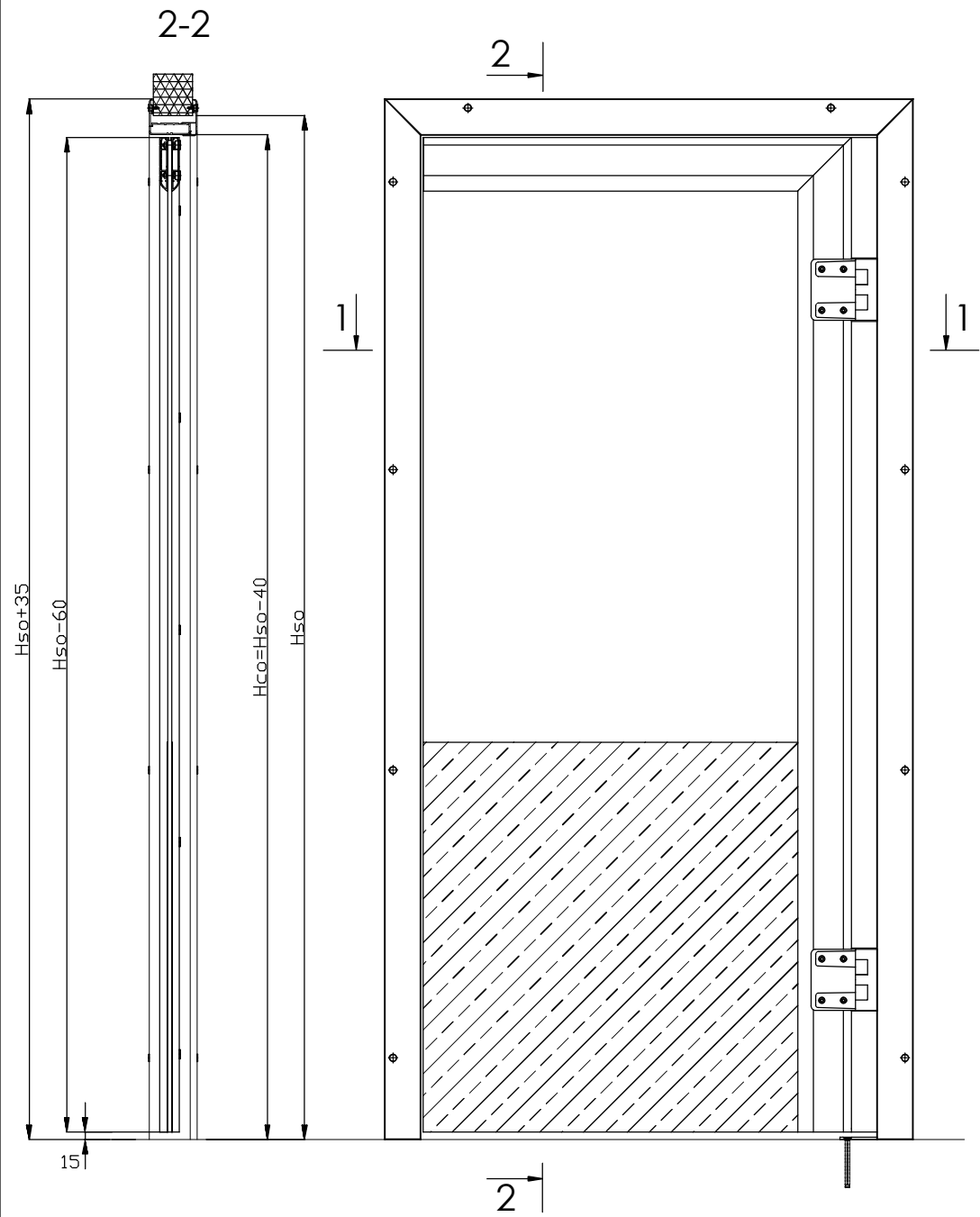
Date: 22-03-2012  
 Drawn by: P.Batura  
 Scale: 1:10

Drawing number:  
**050-011-00**

Print format: A3  
 Revision: 01

CHANGE HISTORY TABLE

No	Rev.	Modification description	Date	Initials
1.	01	Initial Release	22-03-2012	PB
2.				
3.				



Contact address:  
**THERMOD AB**  
 Söderborgsvägen 32  
 SE-671 95 Klässbol, Sweden  
 tel. (0)570 72 74 70  
 fax. (0)570 72 74 71  
 info@thermod.se

Drawing name:  
**PDK, two sided cover (N1),  
 mounting for panel 80mm**

Date: 22-03-2012  
 Drawn by: P.Batura  
 Scale: 1:10

Drawing number:  
**050-014-00**

Print format: A3  
 Revision: 01