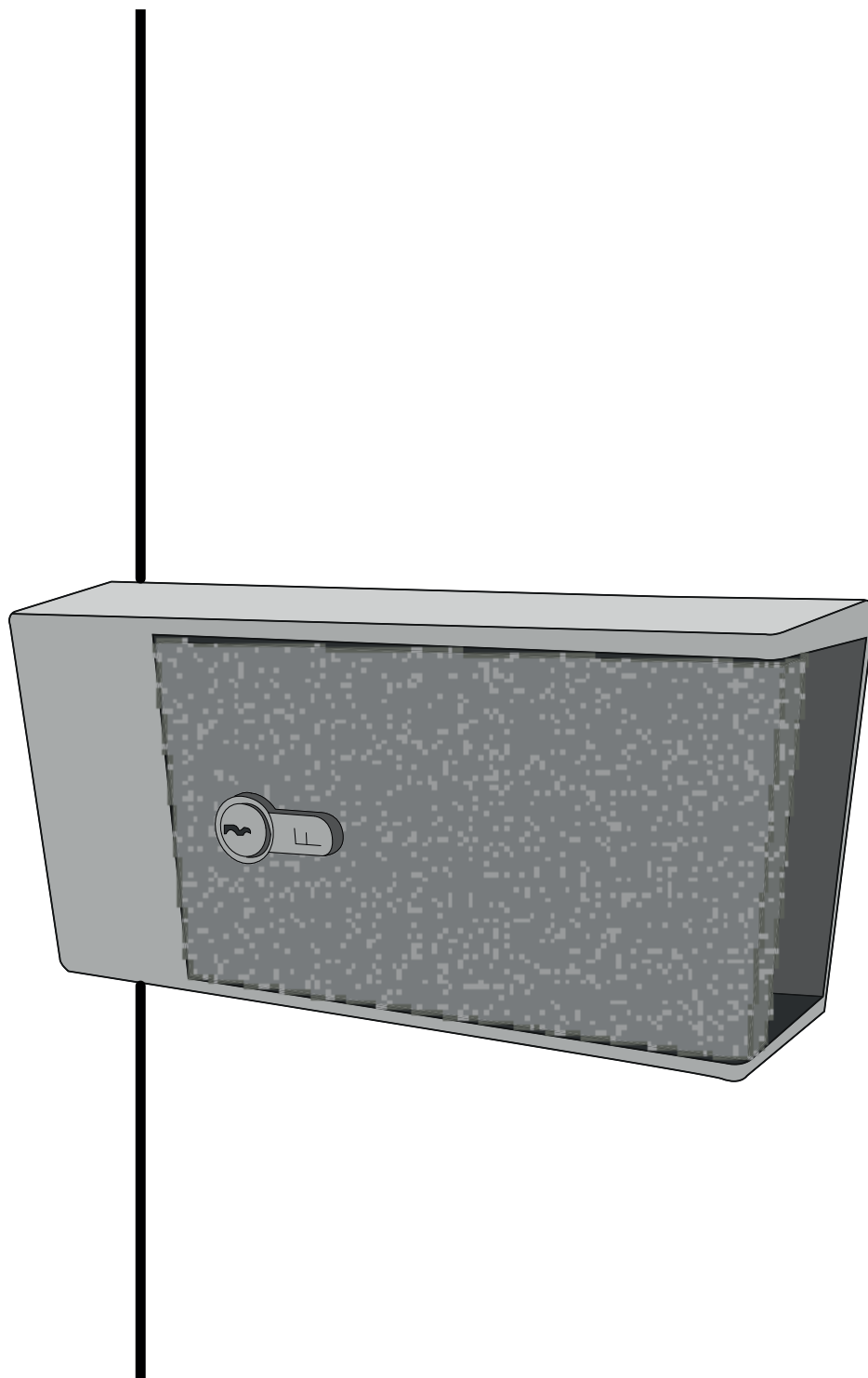
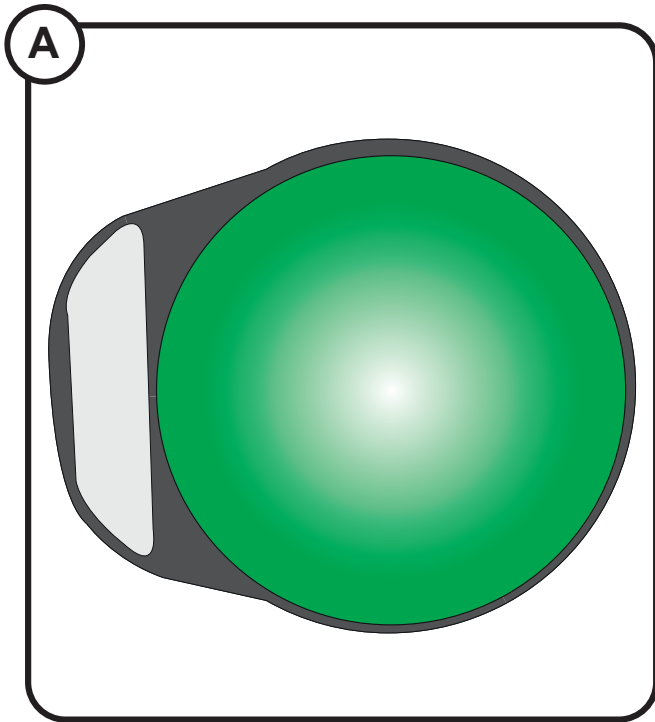


Replacement of lock cylinder in Fermod lock: - 621

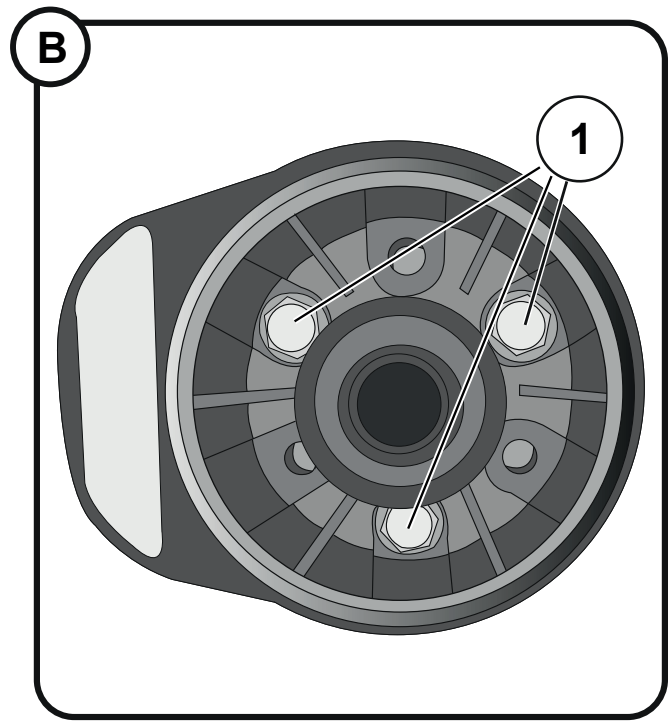


Thermod AB Main office
Söderborgsvägen 32
67195 Klässbol

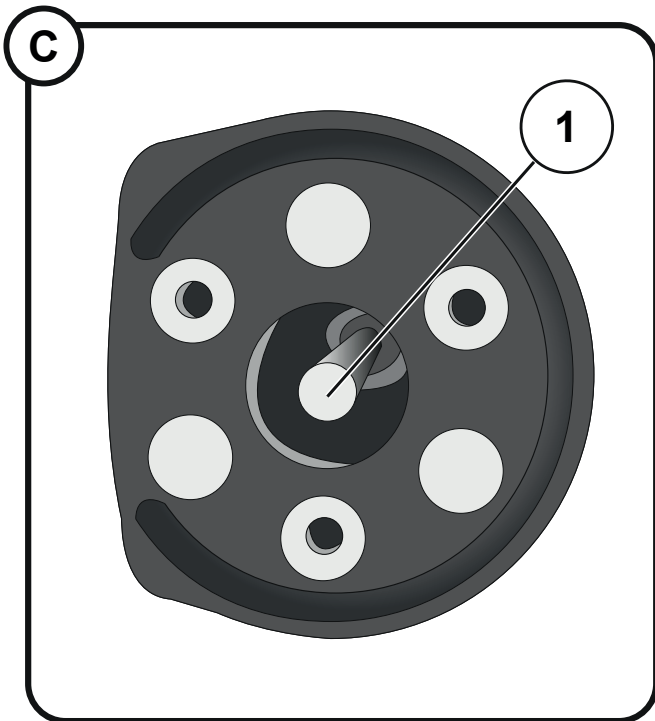
Phone: 0570-72 74 70
Fax: 0570-72 74 71
info@thermod.se



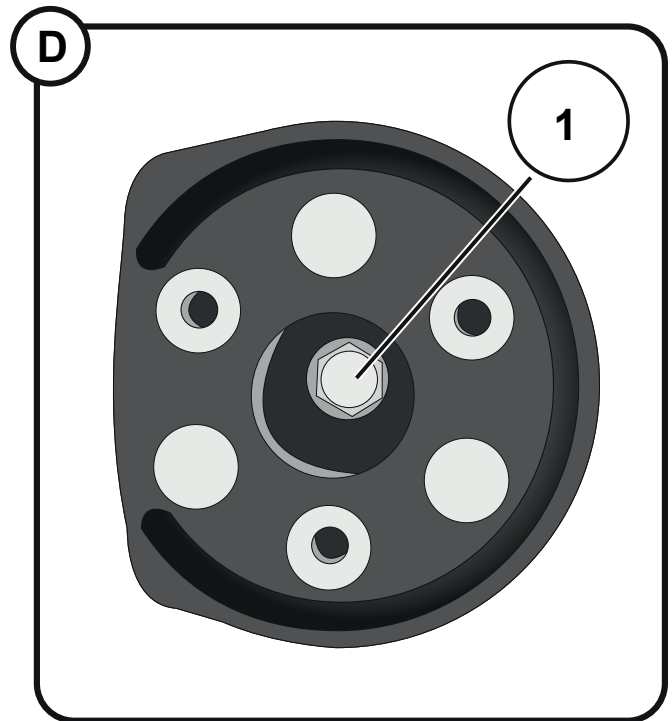
A
Loosen the green rubber cover.



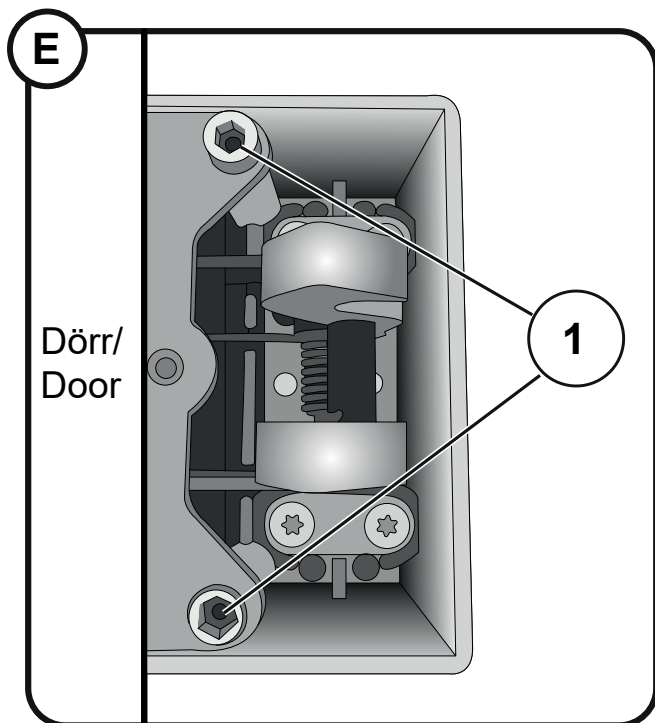
B
Unscrew the 3 screws (1) with socket 10 mm.



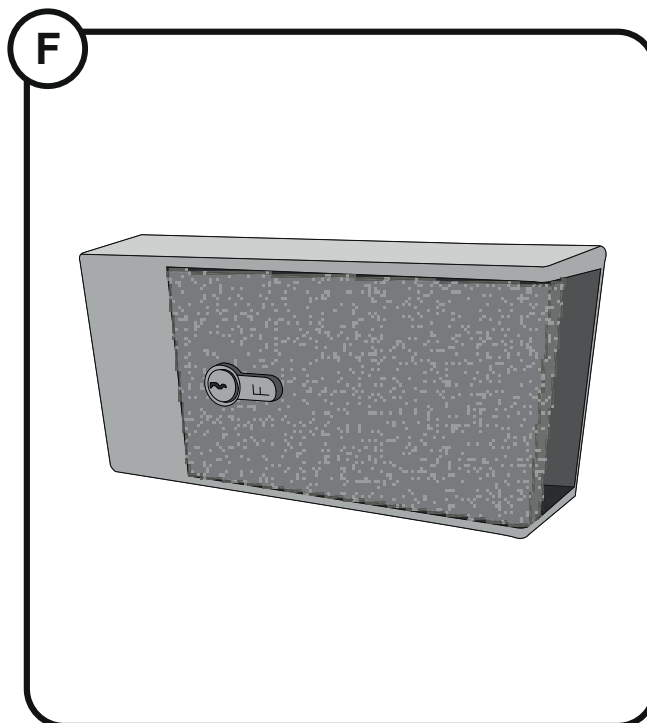
C
Remove the plastic stick (1).



D
Unscrew the screw (1) with socket 17 mm.



E
Unscrew the screws (1) with
5 mm hex key.



F
Mount the new lock on the door.