

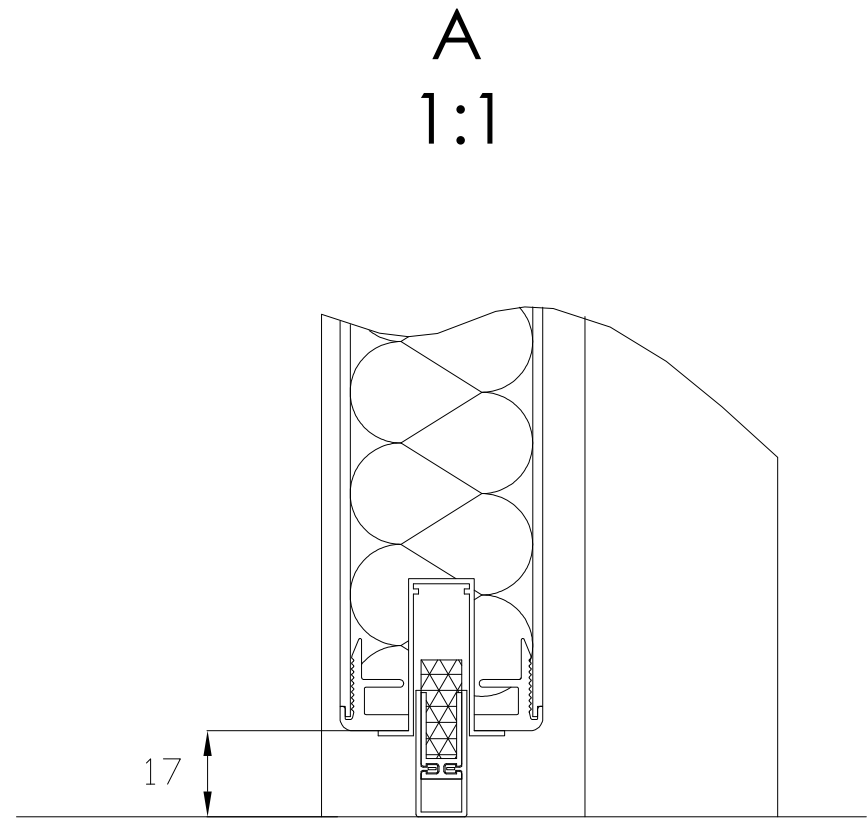
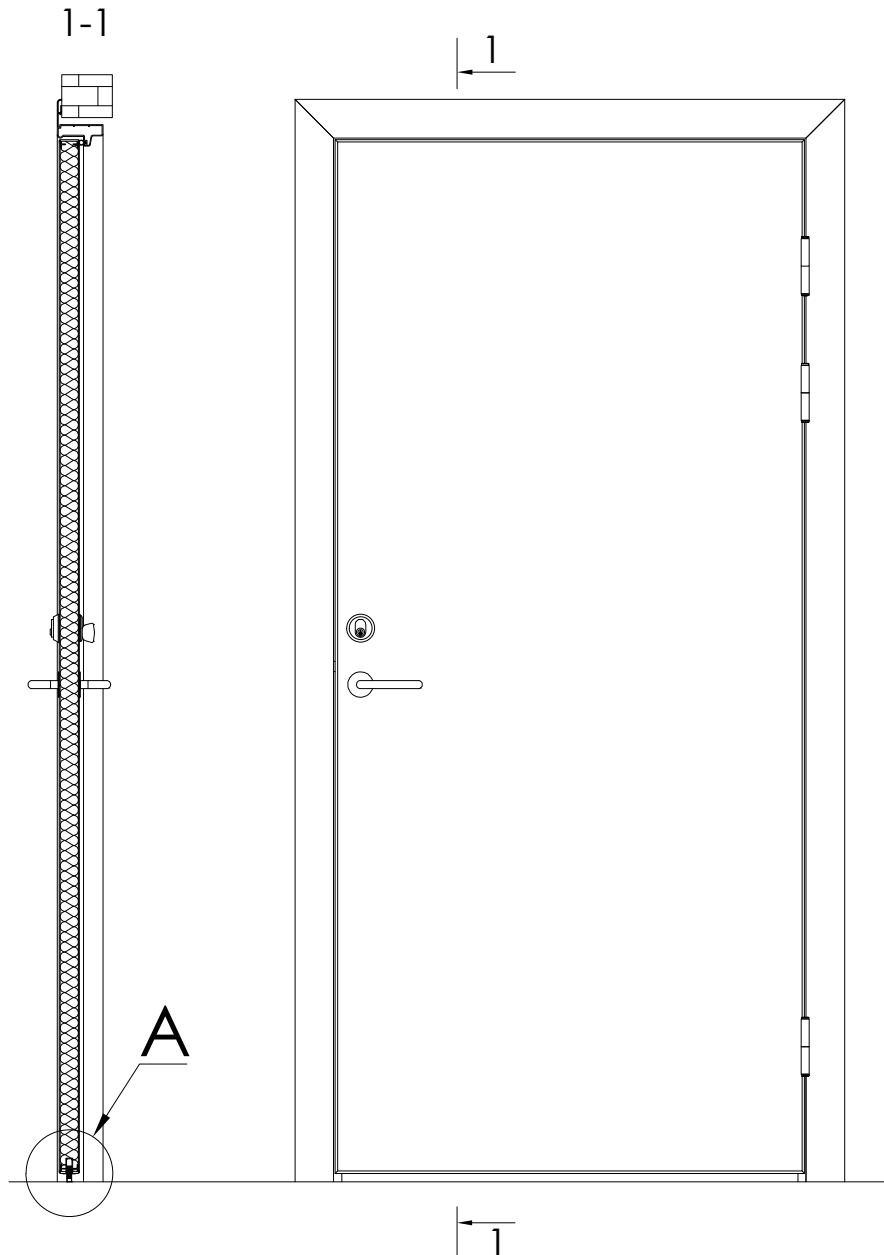
Contact address:
 THERMOD AB
 Söderborgsvägen 32
 SE-671 95 Klässbol, Sweden
 tel. (0)570 72 74 70
 fax. (0)570 72 74 71
 info@thermod.se

Drawing name:
 ID, Frame threshold

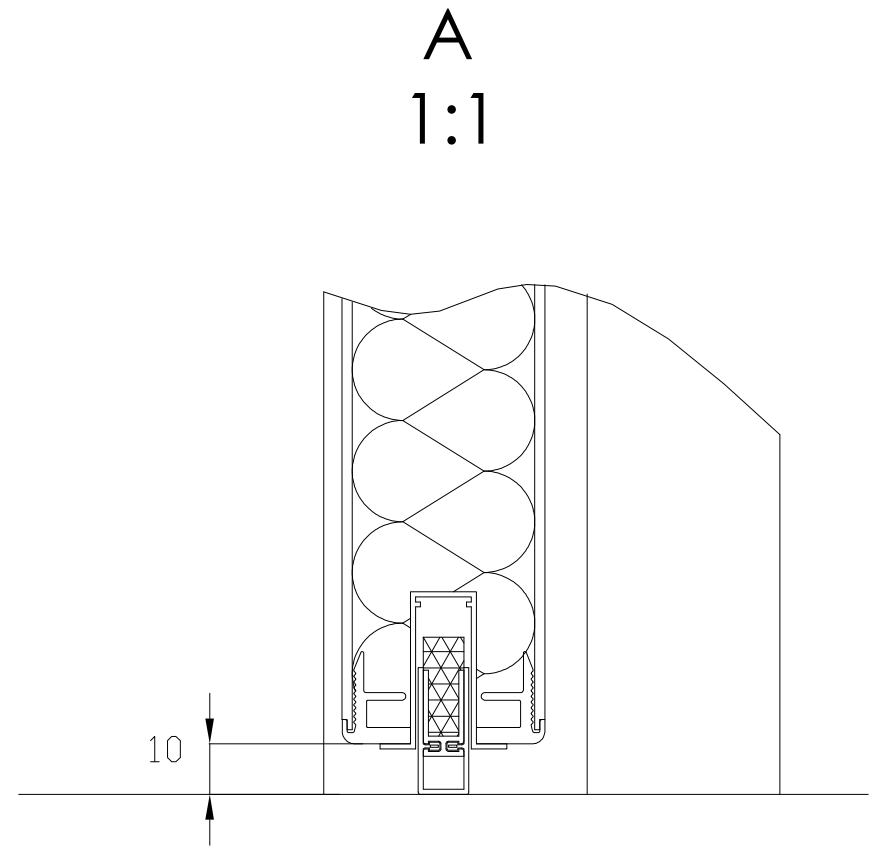
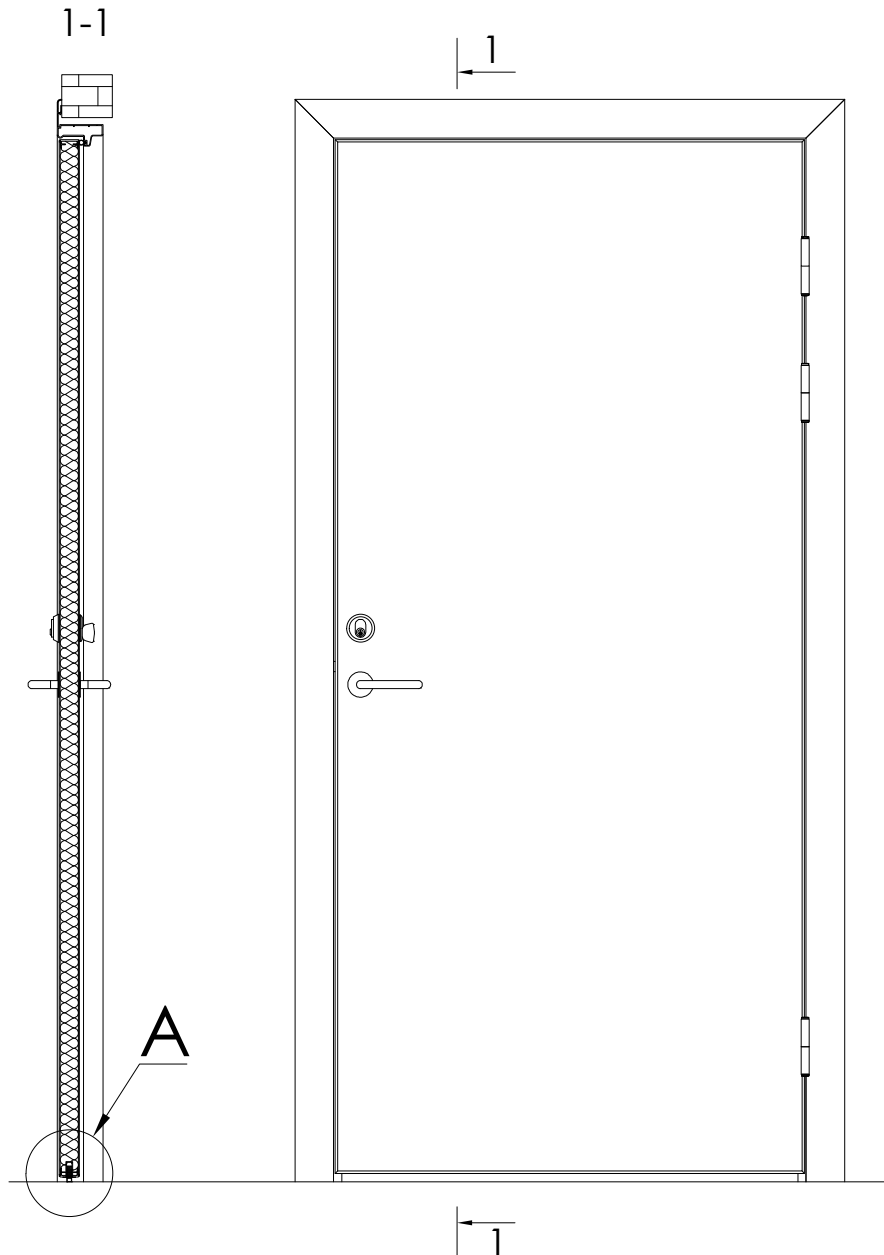
Date: 03-02-2016
 Drawn by: A.DZIEWIALTOWSKI
 Scale: 1:10

Drawing number:
 500-058-41

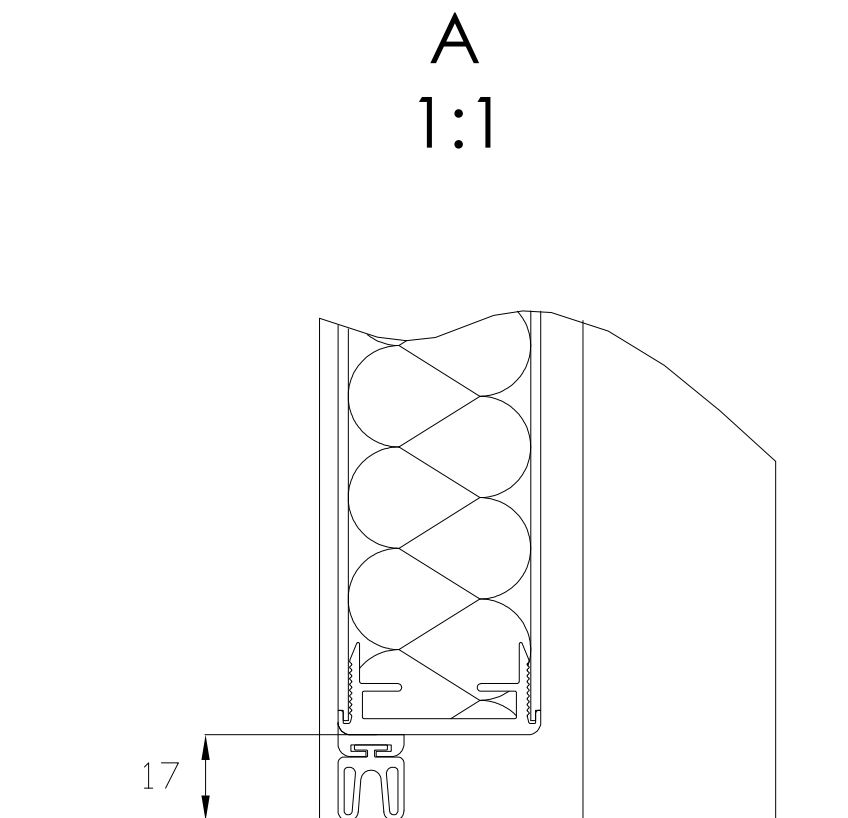
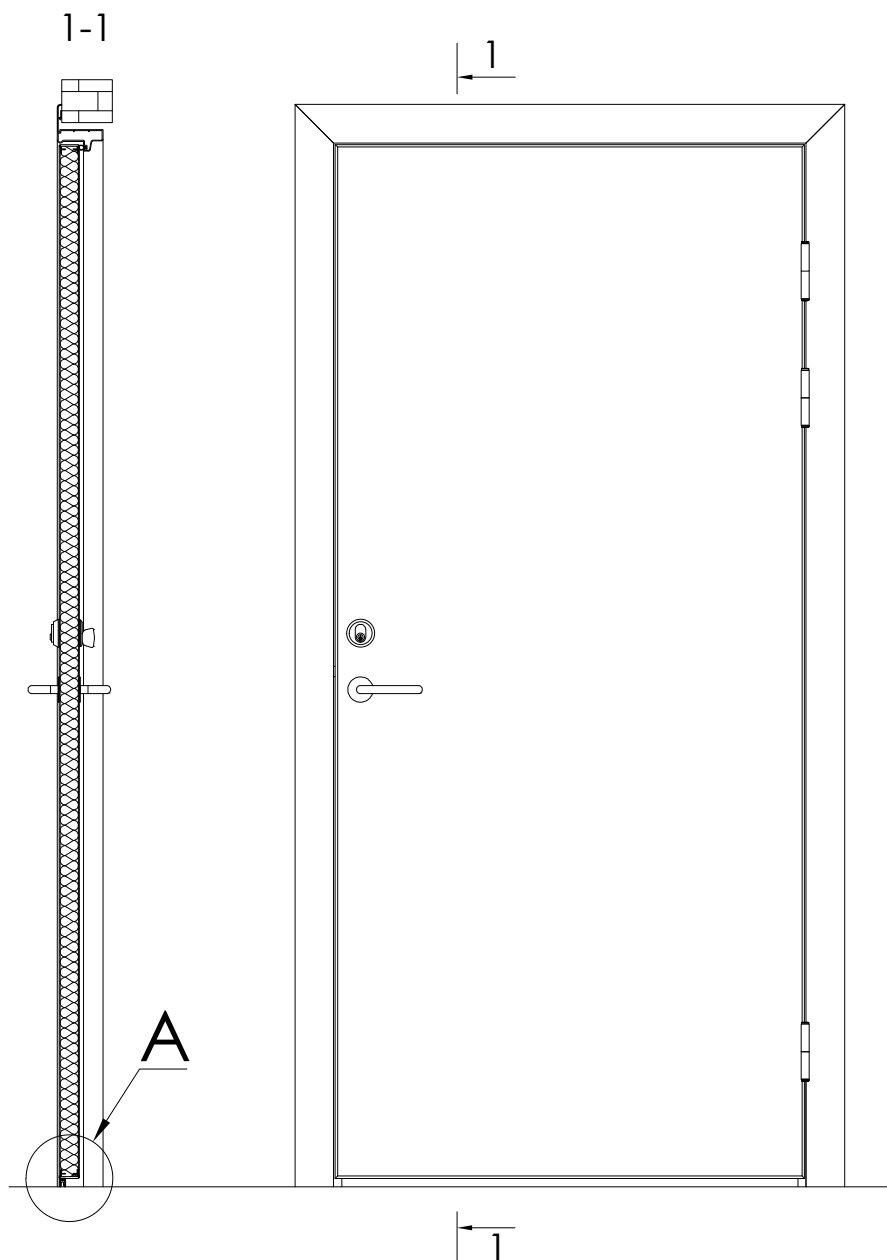
Print format: A3
 Revision: 00



	Contact address: THERMOD AB Söderborgsvägen 32 SE-671 95 Klässbol, Sweden tel. (0)570 72 74 70 fax. (0)570 72 74 71 info@thermod.se		Drawing name: ID, Planet FT automatic gasket, gap 17mm		Drawing number: 500-058-21	
	Date: 03-02-2016	Drawn by: A.DZIEWIALTOWSKI	Scale: 1:10	Print format: A3	Revision: 00	



	Contact address: THERMOD AB Söderborgsvägen 32 SE-671 95 Klässbol, Sweden tel. (0)570 72 74 70 fax. (0)570 72 74 71 info@thermod.se		Drawing name: ID, Planet FT automatic gasket, gap 10mm		Drawing number: 500-058-22	
	Date: 03-02-2016	Drawn by: A.DZIEWIALTOWSKI	Scale: 1:10	Print format: A3	Revision: 00	



Contact address:
 THERMOD AB
 Söderborgsvägen 32
 SE-671 95 Klässbol, Sweden
 tel. (0)570 72 74 70
 fax. (0)570 72 74 71
 info@thermod.se

Drawing name:
 ID, gap 17mm, S01-ID
 gasket

Date:
 03-02-2016

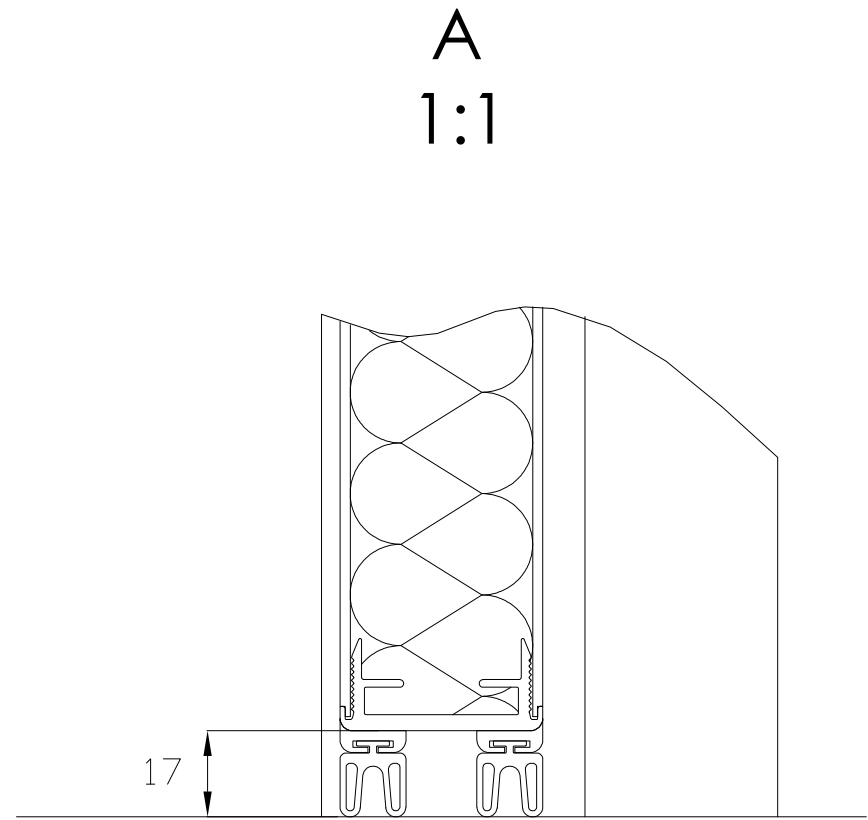
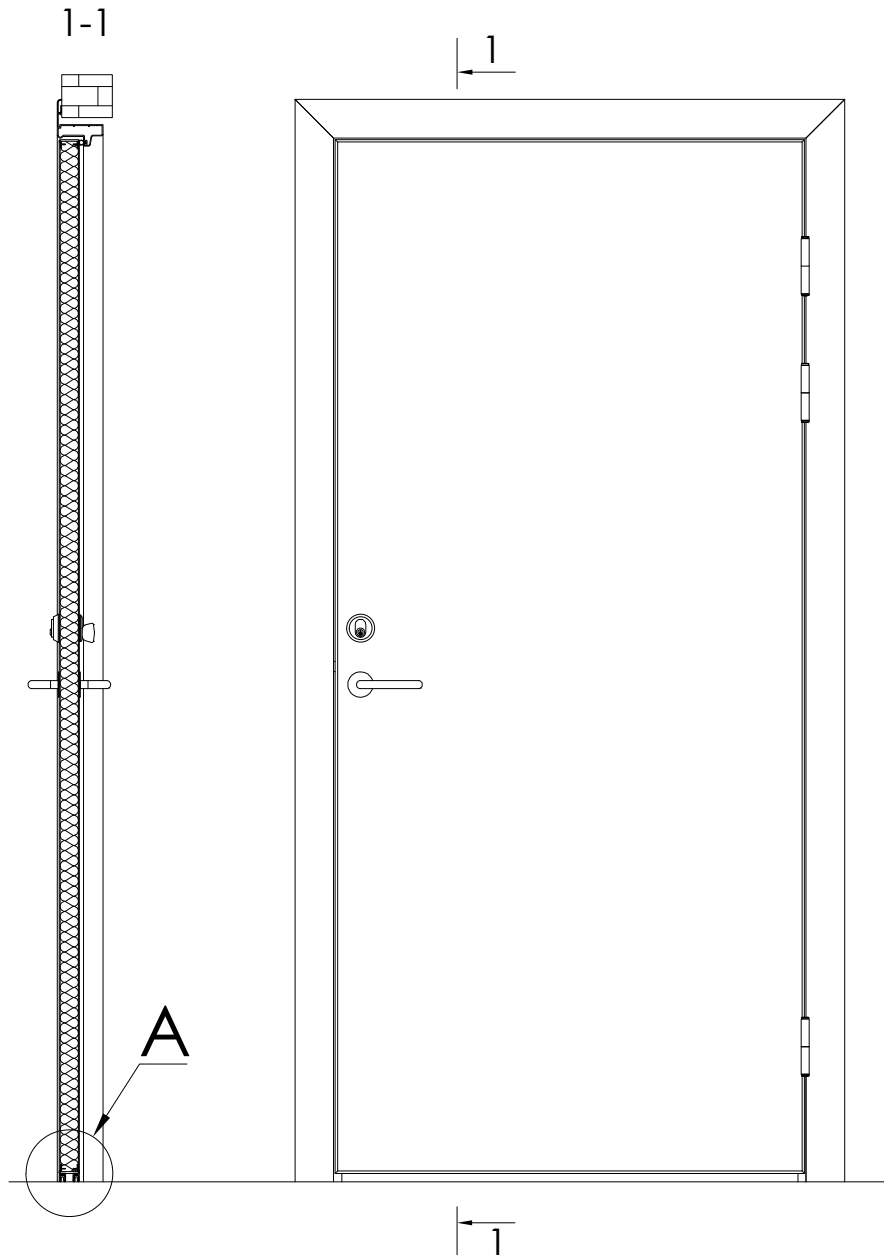
Drawn by:
 A.DZIEWIALTOWSKI


Scale:
 1:10

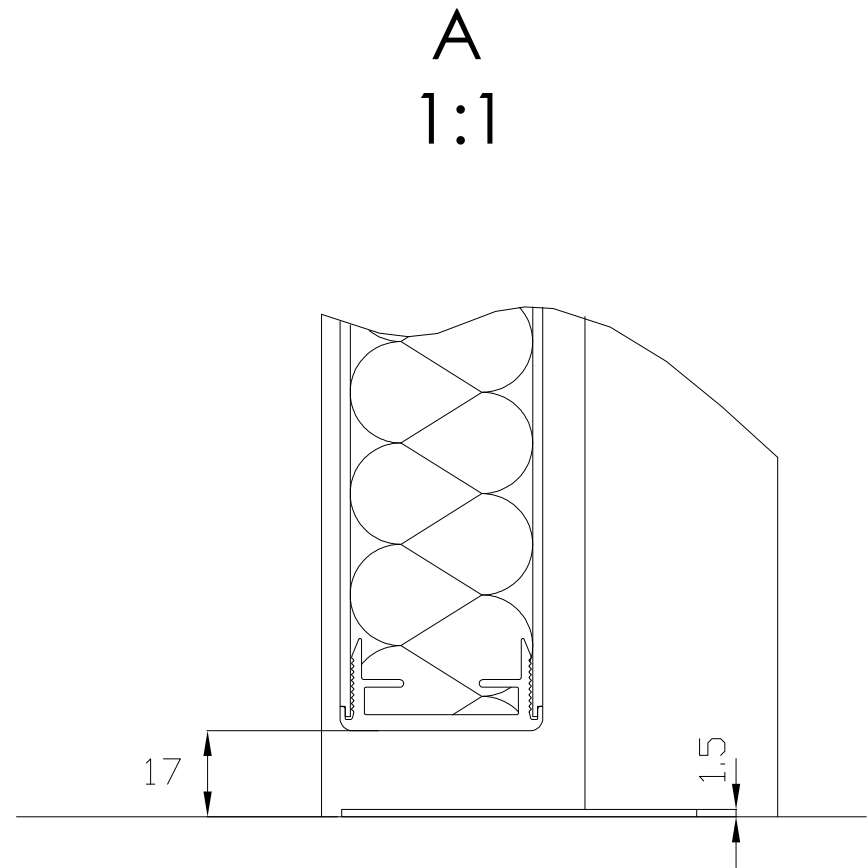
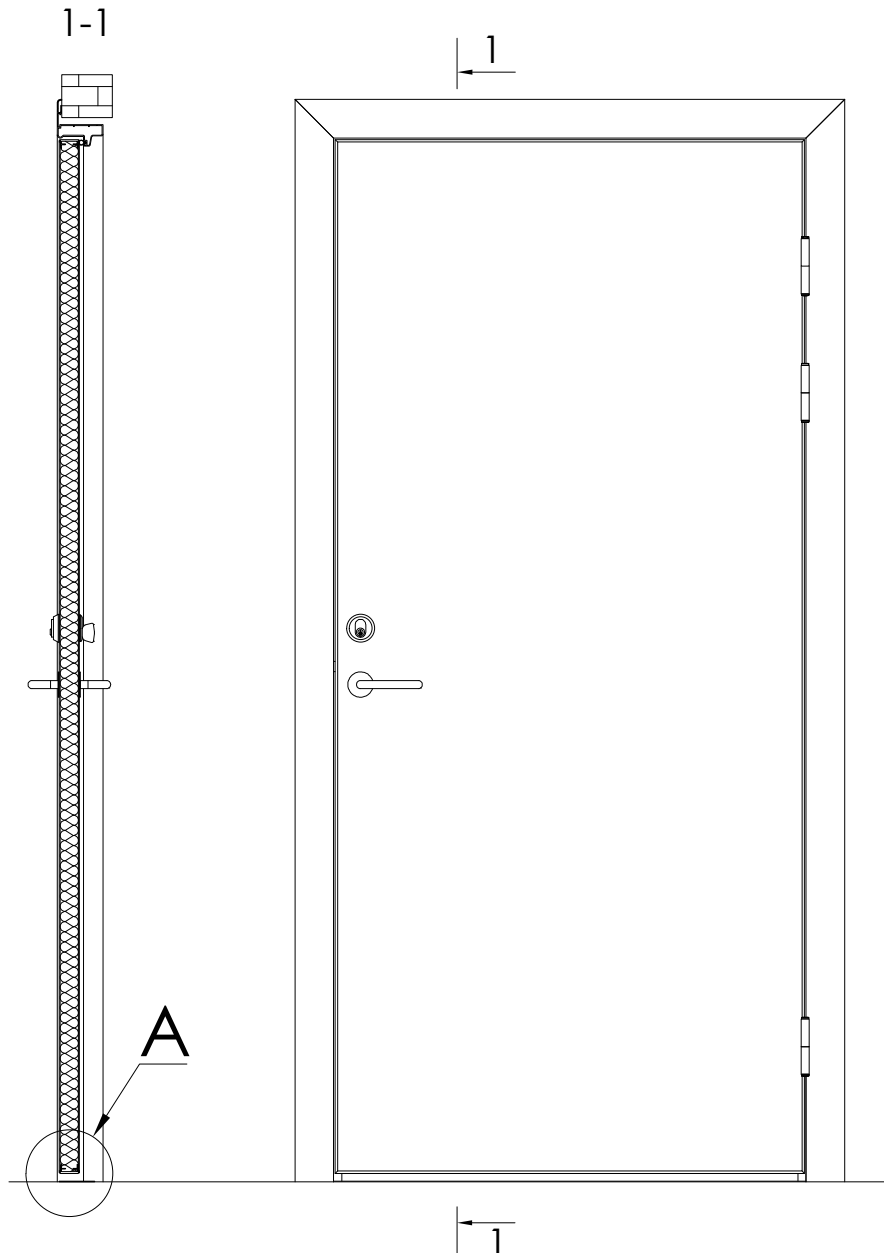
Drawing number:
 500-058-11


Print format:
 A3

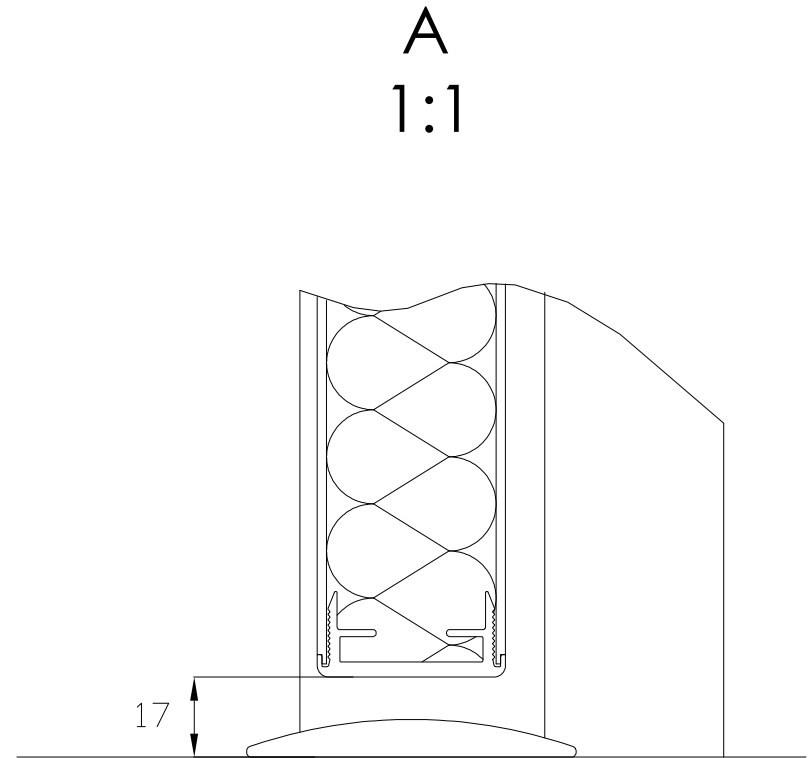
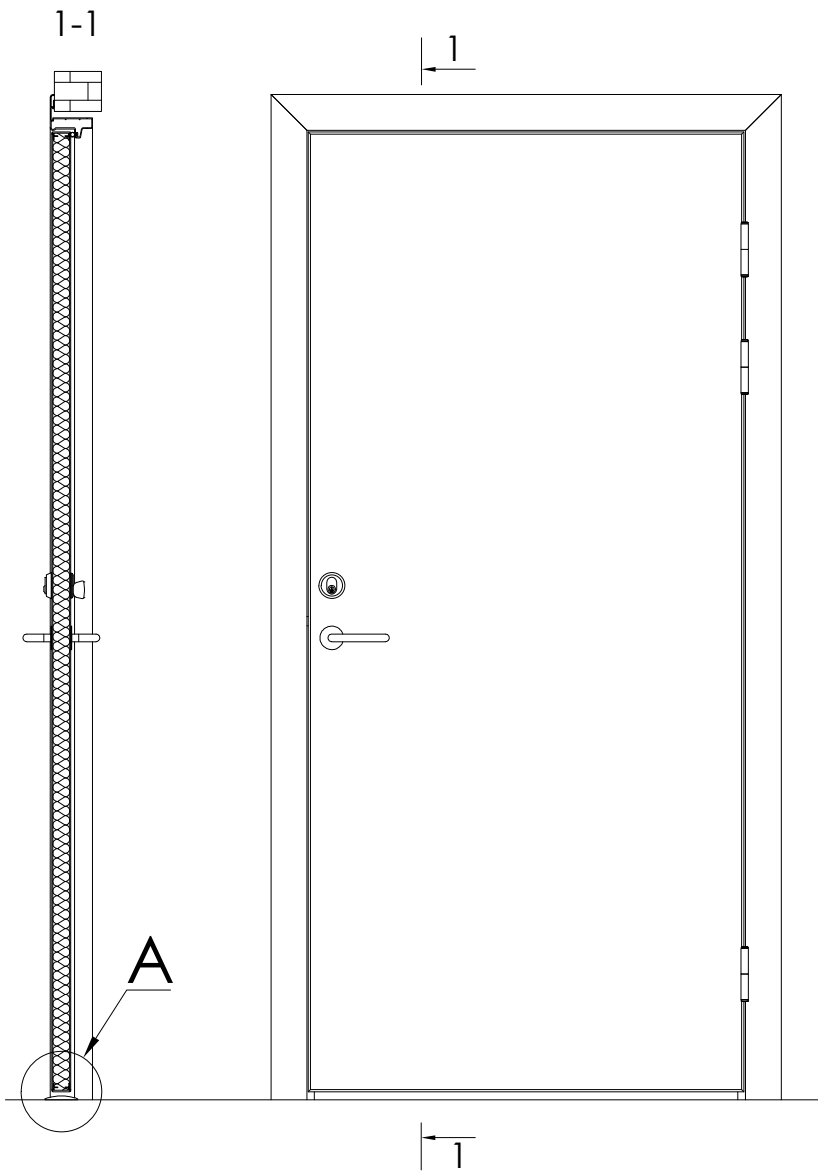
Revision:
 00




	Contact address: THERMOD AB Söderborgsvägen 32 SE-671 95 Klässbol, Sweden tel. (0)570 72 74 70 fax. (0)570 72 74 71 info@thermod.se		Drawing name: ID, gap 17mm, double S01-ID gasket		Drawing number: 500-058-12	
	Date: 03-02-2016	Drawn by: A.DZIEWIALTOWSKI	Scale: 1:10	Print format: A3	Revision: 00	



	Contact address: THERMOD AB Söderborgsvägen 32 SE-671 95 Klässbol, Sweden tel. (0)570 72 74 70 fax. (0)570 72 74 71 info@thermod.se		Drawing name: ID, Flat stainless threshold		Drawing number: 500-058-33	
	Date: 03-02-2016	Drawn by: A.DZIEWIALTOWSKI	Scale: 1:10	Print format: A3	Revision: 00	



	Contact address: THERMOD AB Söderborgsvägen 32 SE-671 95 Klässbol, Sweden tel. (0)570 72 74 70 fax. (0)570 72 74 71 info@thermod.se		Drawing name: ID, Rubber threshold		Drawing number: 500-058-51	
	Date: 03-02-2016	Drawn by: A.DZIEWIALTOWSKI	Scale: 1:10	Print format: A3	Revision: 00	