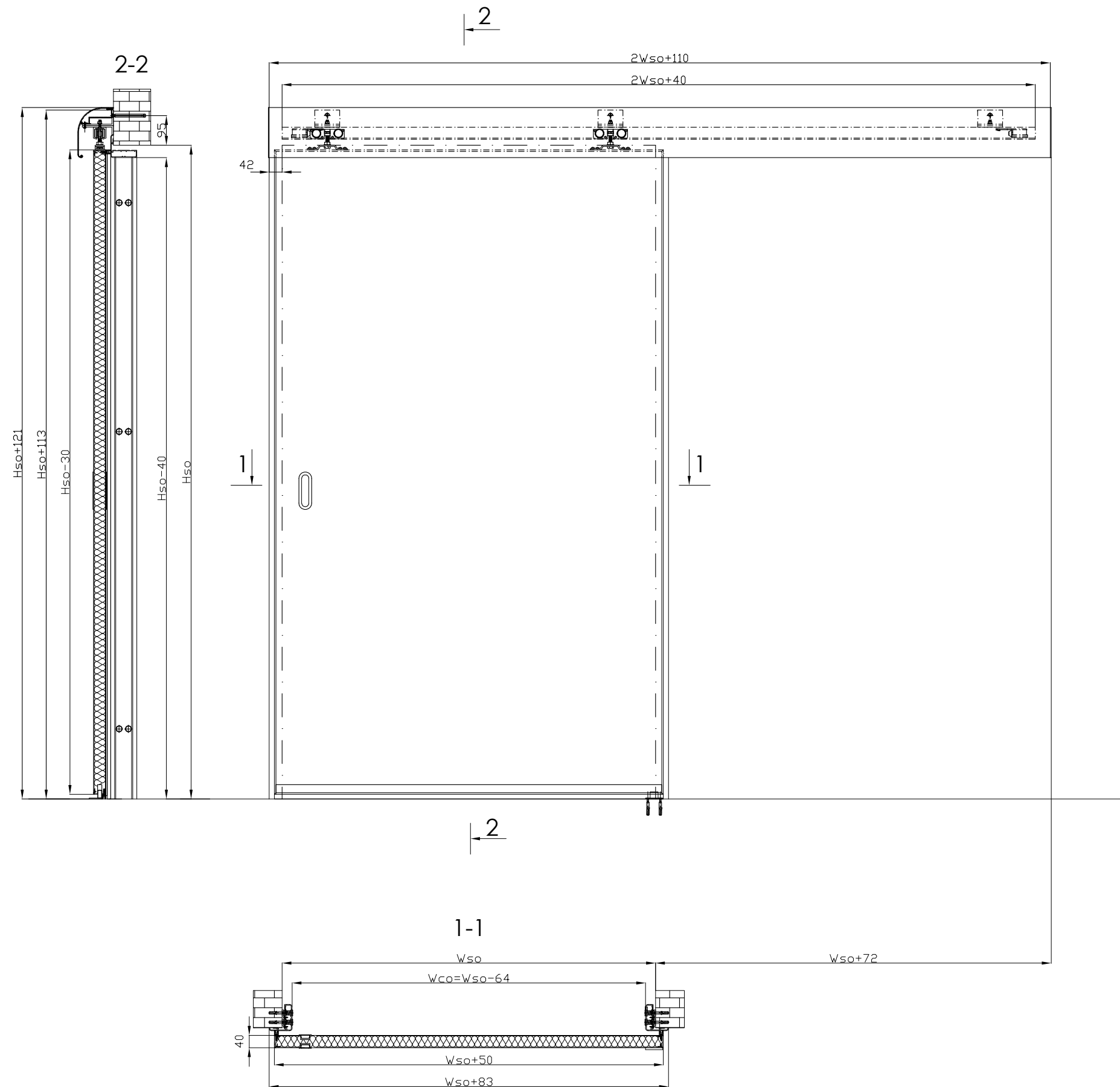


CHANGE HISTORY TABLE

No	Rev.	Modification description	Date	Initials
1.	01	Initial Release	29-02-2012	PB
2.	02	New guidance, new standard	20-11-2012	AD
3.	03	Handle standard changed, rail screws added	11-12-2012	AD
4.	04	New gasket, top cover, consoles dimension change	25-02-2015	SK



Contact address:
THERMOD AB
 Söderborgsvägen 32
 SE-671 95 Klässbol, Sweden
 tel. (0)570 72 74 70
 fax. (0)570 72 74 71
 info@thermod.se

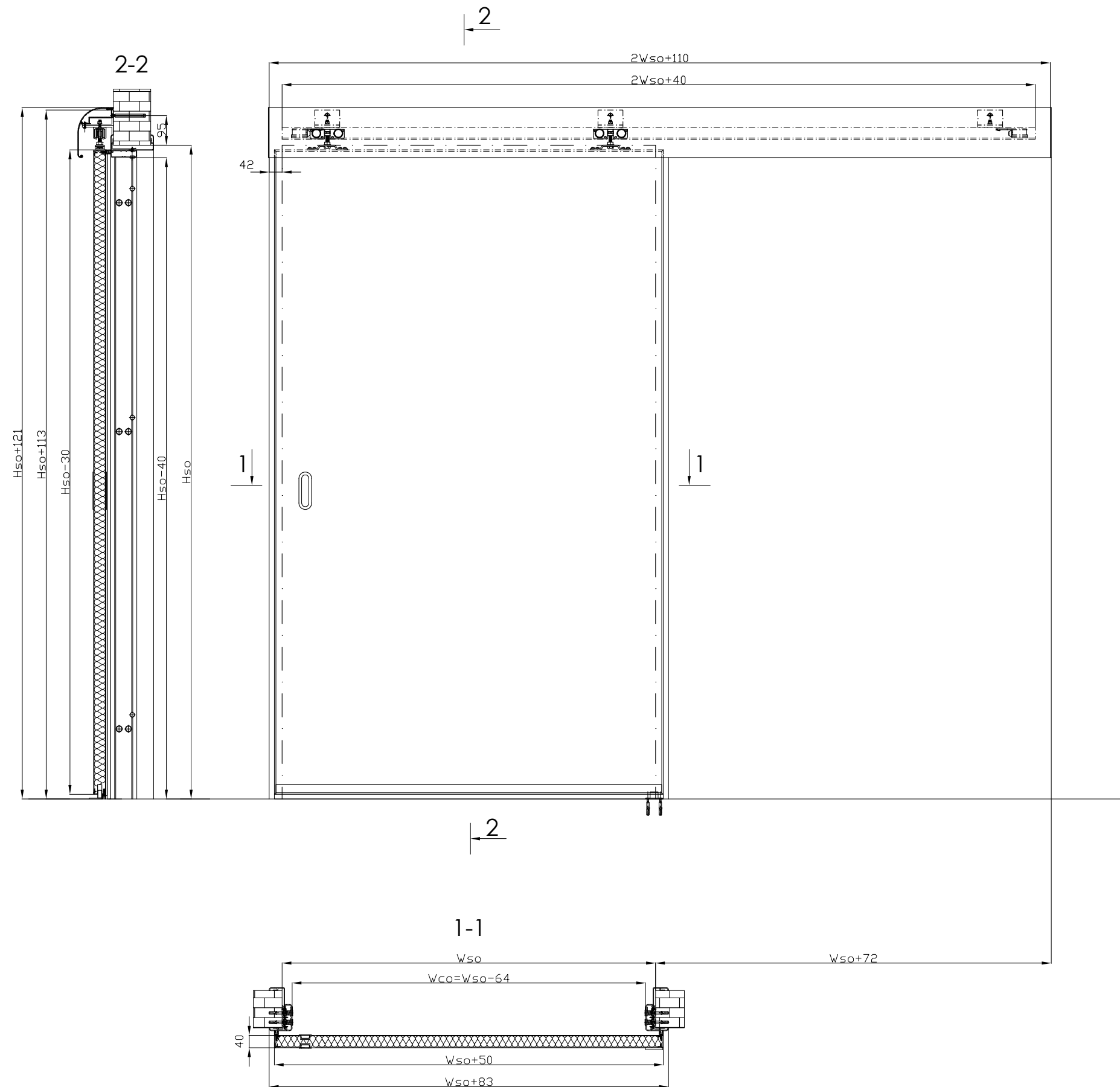
Drawing name:
 SDID, one sided cover,
 Ampol 2 bottom rail,
 mounting for wall

Drawing number:
080-012-01

Date: 25-02-2015	Drawn by: S.Kogut	Scale: 1:10	Print format: A2	Revision: 04
---------------------	----------------------	----------------	---------------------	-----------------

CHANGE HISTORY TABLE

No	Rev.	Modification description	Date	Initials
1.	01	Initial Release	29-02-2012	PB
2.	02	New guidance, new standard	20-11-2012	AD
3.	03	Handle standard changed, rail screws added	11-12-2012	AD
4.	04	New gasket, top cover, consoles dimension change	25-02-2015	SK



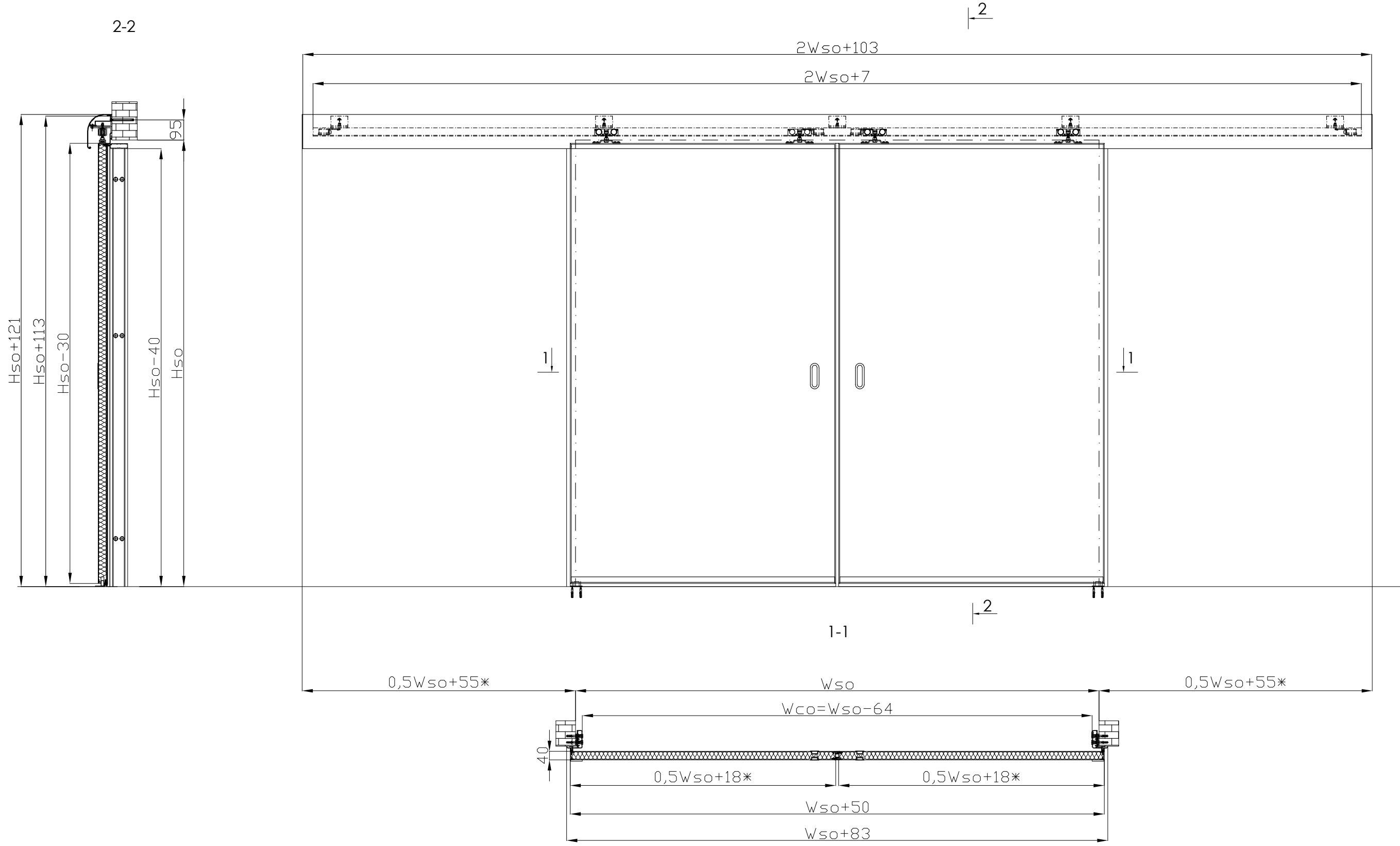
Contact address:
 THERMOD AB
 Söderborgsvägen 32
 SE-671 95 Klässbol, Sweden
 tel. (0)570 72 74 70
 fax. (0)570 72 74 71
 info@thermod.se

Drawing name:
 SDID, two sided cover,
 Ampol 2 bottom rail,
 mounting for wall


Drawing number:
 080-012-02

Date: 25-02-2015	Drawn by: S.Kogut	Scale: 1:10	Print format: A2	Revision: 04
---------------------	----------------------	----------------	---------------------	-----------------

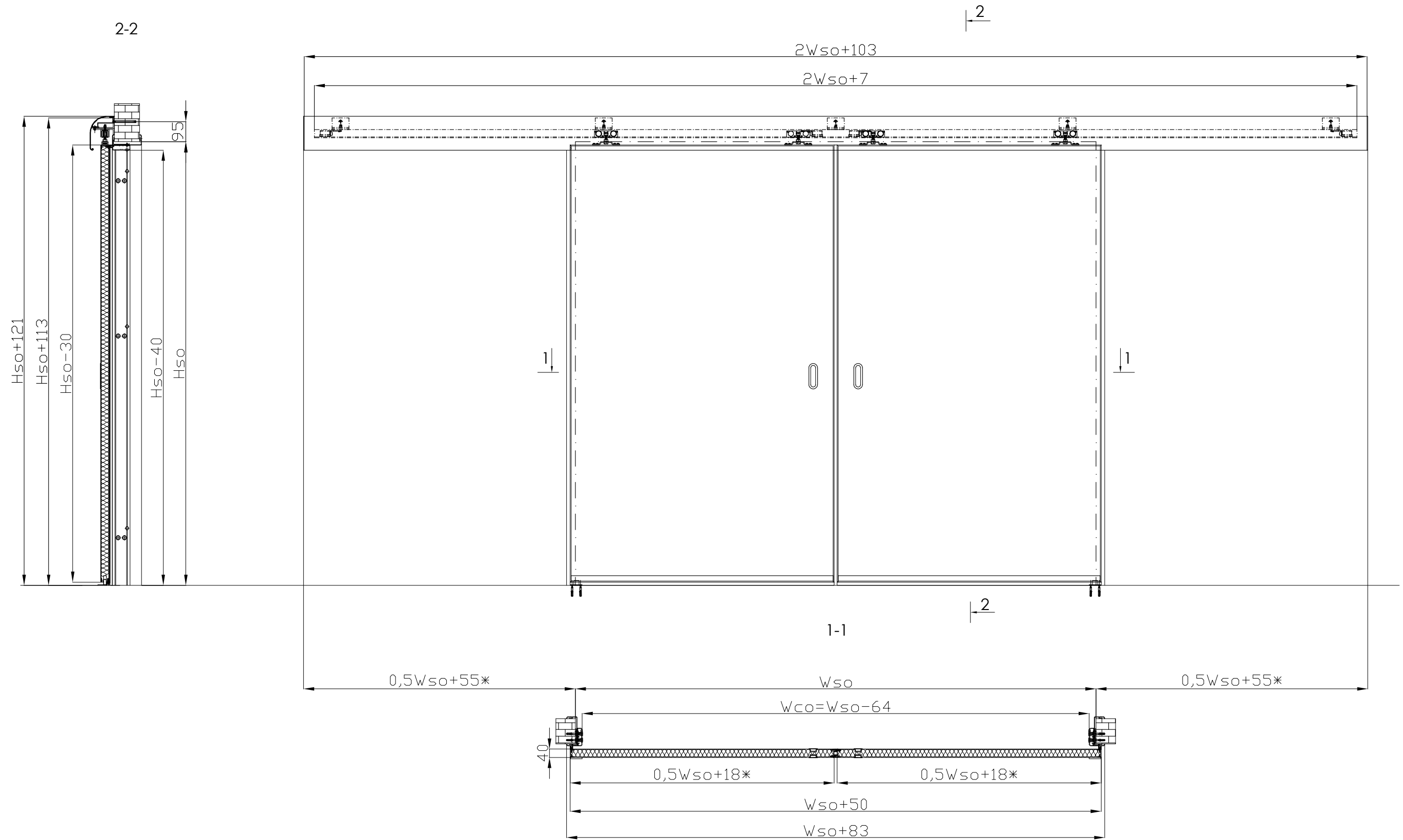
CHANGE HISTORY TABLE				
No	Rev.	Modification description	Date	Initials
1.	01	Initial Release	16-04-2015	SK
2.				
3.				
4.				



* formula valid only for symmetrical leaves

	Contact address: THERMOD AB Söderborgsvägen 32 SE-671 95 Klässbol, Sweden tel. (0)570 72 74 70 fax. (0)570 72 74 71 info@thermod.se	Drawing name: SDiD double, one sided cover, Ampol 2 bottom rail, mounting for wall	Drawing number: 080-022-01	
	Date: 16-04-2015	Drawn by: S.Kogut	Scale: 1:10	Print format: A2

CHANGE HISTORY TABLE				
No	Rev.	Modification description	Date	Initials
1.	01	Initial Release	16-04-2015	SK
2.				
3.				
4.				



* formula valid only for symmetrical leaves

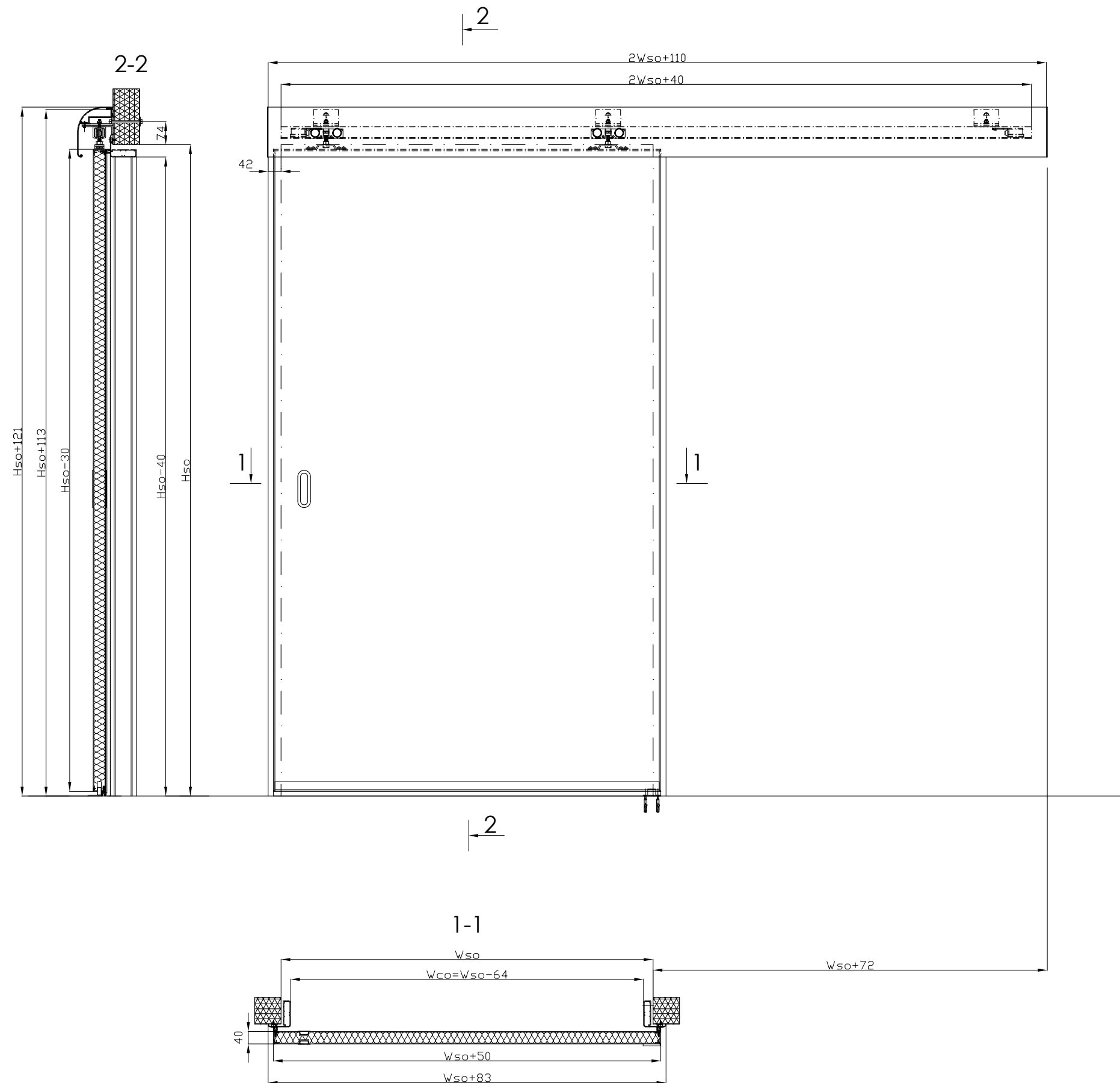


Contact address:
THERMOD AB
 Söderborgsvägen 32
 SE-671 95 Klässbol, Sweden
 tel. (0)570 72 74 70
 fax. (0)570 72 74 71
 info@thermod.se

Drawing name: SDID double, two sided cover, Ampol 2 bottom rail, mounting for wall		Drawing number: 080-022-02	
Date: 16-04-2015	Drawn by: S.Kogut	Scale: 1:10	Print format: A2
			Revision: 01

CHANGE HISTORY TABLE

No	Rev.	Modification description	Date	Initials
1.	01	Initial Release	25-02-2015	SK
2.				
3.				
4.				



Contact address:
 THERMOD AB
 Söderborgsvägen 32
 SE-671 95 Klässbol, Sweden
 tel. (0)570 72 74 70
 fax. (0)570 72 74 71
 info@thermod.se

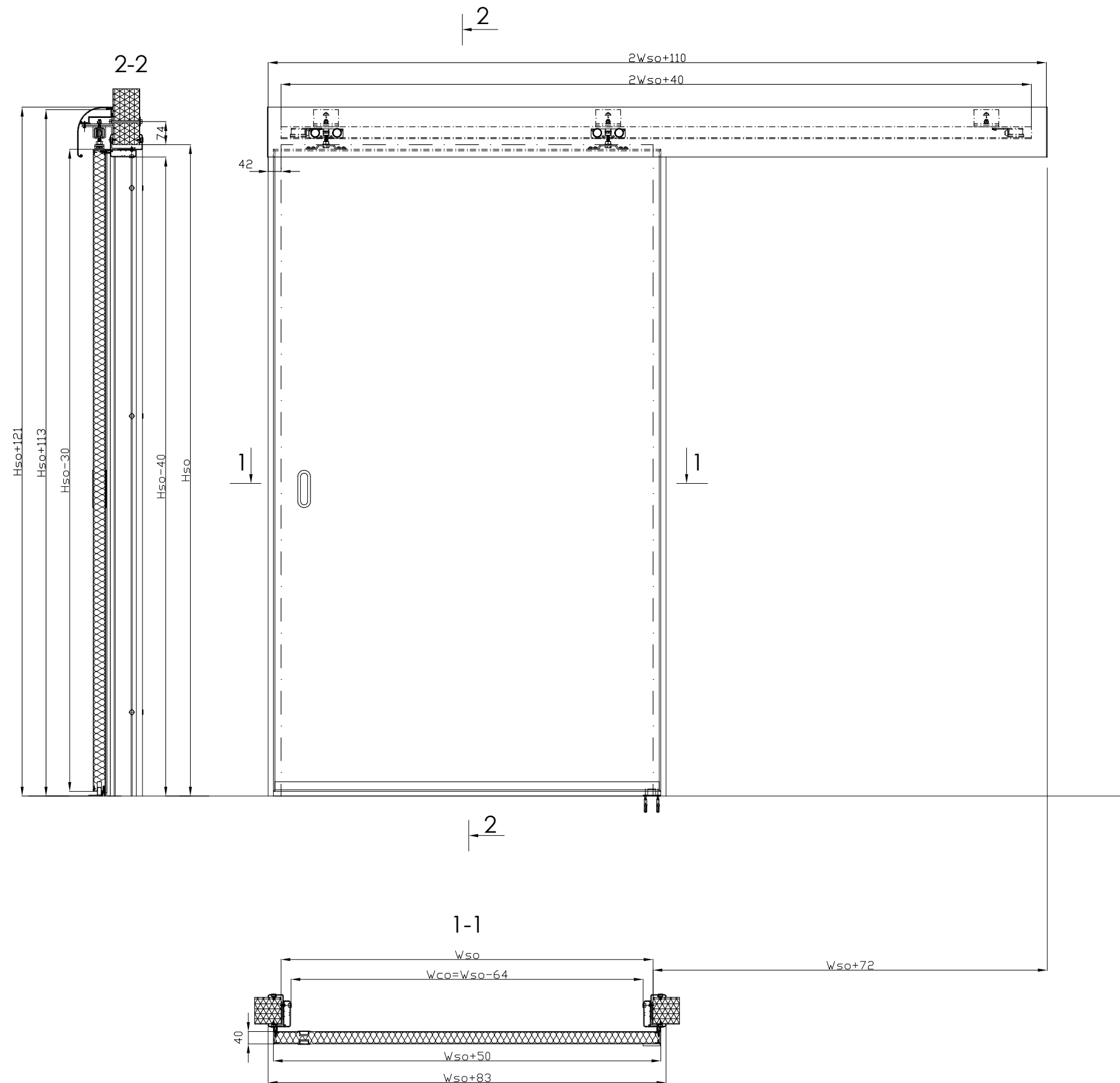
Drawing name:
 SDID, one sided cover,
 Ampol 2 bottom rail,
 mounting for panel

Drawing number:
 080-032-01

Date: 16-04-2015	Drawn by: S.Kogut	Scale: 1:10	Print format: A2	Revision: 01
---------------------	----------------------	----------------	---------------------	-----------------

CHANGE HISTORY TABLE

No	Rev.	Modification description	Date	Initials
1.	01	Initial Release	25-02-2015	SK
2.				
3.				
4.				



Contact address:
 THERMOD AB
 Söderborgsvägen 32
 SE-671 95 Klässbol, Sweden
 tel. (0)570 72 74 70
 fax. (0)570 72 74 71
 info@thermod.se

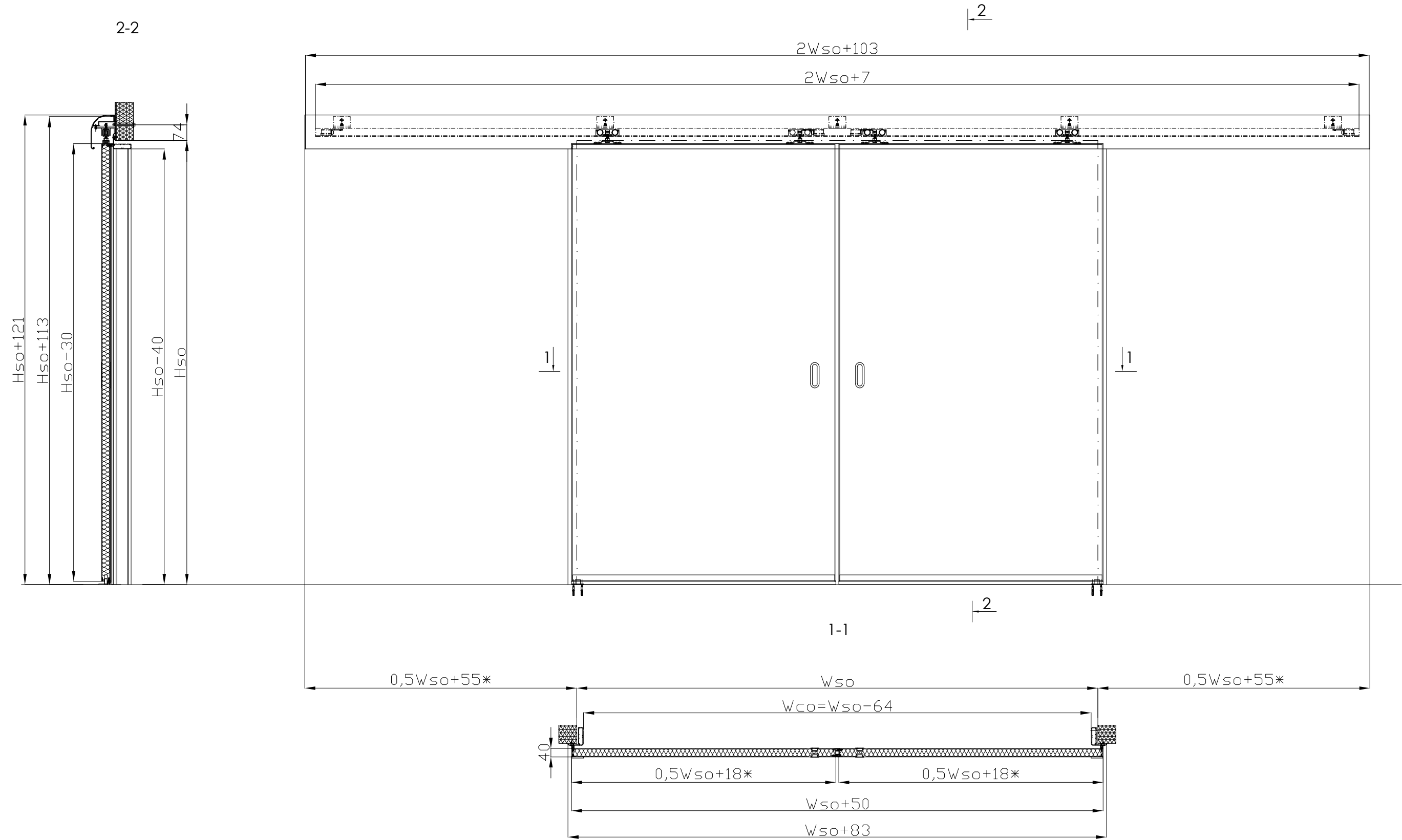
Drawing name:
 SDID, two sided cover,
 Ampol 2 bottom rail,
 mounting for panel

Drawing number:
 080-032-02

Date: 16-04-2015	Drawn by: S.Kogut	Scale: 1:10	Print format: A2	Revision: 01
---------------------	----------------------	----------------	---------------------	-----------------

CHANGE HISTORY TABLE

No	Rev.	Modification description	Date	Initials
1.	01	Initial Release	16-04-2015	SK
2.				
3.				
4.				



* formula valid only for symmetrical leaves



Contact address:
 THERMOD AB
 Söderborgsvägen 32
 SE-671 95 Klässbol, Sweden
 tel. (0)570 72 74 70
 fax. (0)570 72 74 71
 info@thermod.se

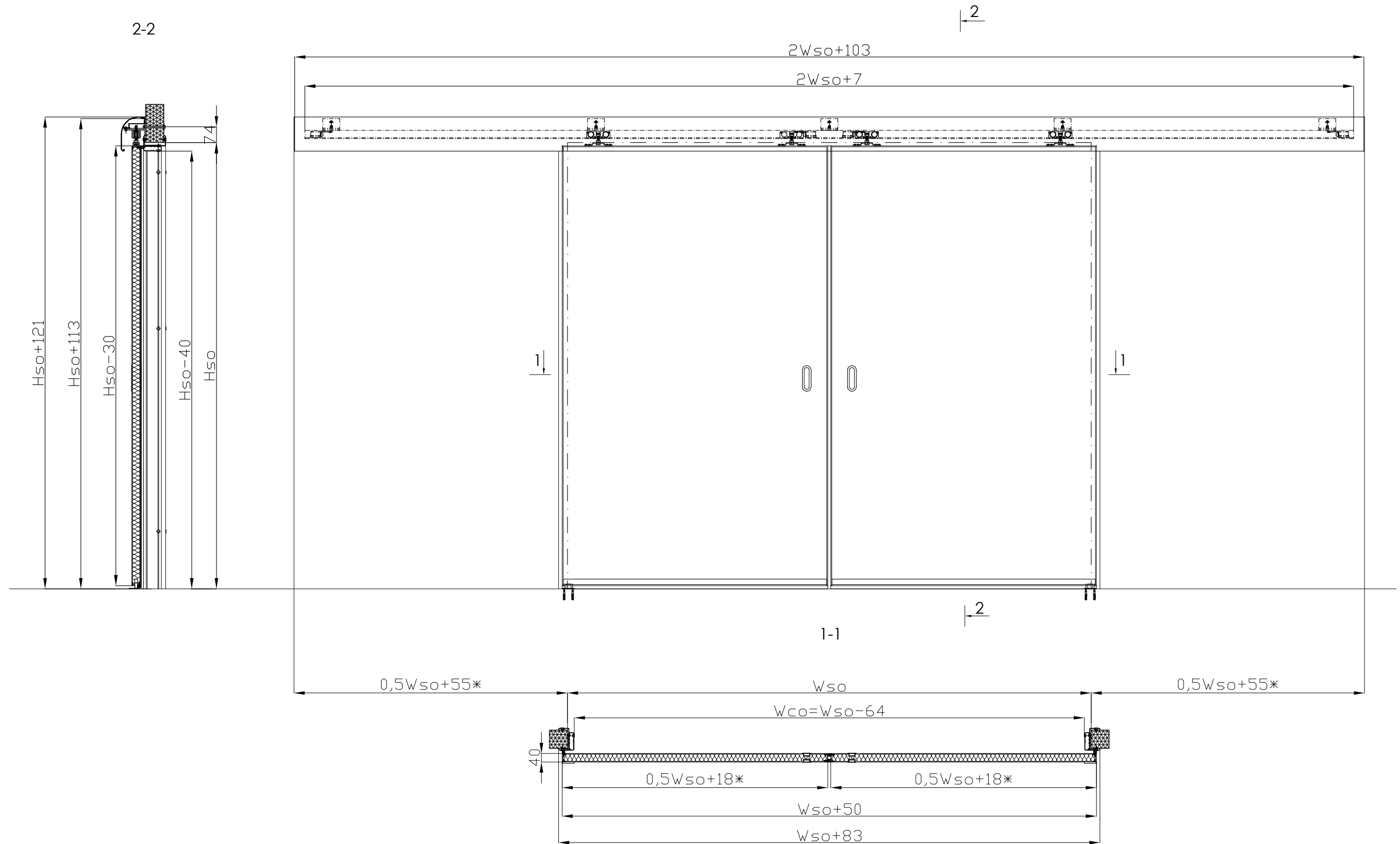
Drawing name:
 SDID double, one sided cover,
 Ampco 2 bottom rail,
 mounting for panel

Drawing number:
 080-042-01

Date: 16-04-2015
 Drawn by: S.Kogut
 Scale: 1:10
 Print format: A2
 Revision: 01

CHANGE HISTORY TABLE

No	Rev.	Modification description	Date	Initials
1.	01	Initial Release	16-04-2015	SK
2.				
3.				
4.				



* formula valid only for symmetrical leaves



Contact address:
 THERMOD AB
 Söderborgsvägen 32
 SE-671 95 Klässbol, Sweden
 tel. (0)570 72 74 70
 fax. (0)570 72 74 71
 info@thermod.se

Drawing name: SDID double, two sided cover, Ampol 2 bottom rail, mounting for panel		Drawing number: 080-042-02	
Date: 16-04-2015	Drawn by: S.Kogut	Scale: 1:10	Print format: A2
			Revision: 01