

Contact address:  
 THERMOD AB  
 Söderborgsvägen 32  
 SE-671 95 Klässbol, Sweden  
 tel. (0)570 72 74 70  
 fax. (0)570 72 74 71  
 info@thermod.se

Drawing name:  
 ID, Frame threshold

Date:  
 03-02-2016

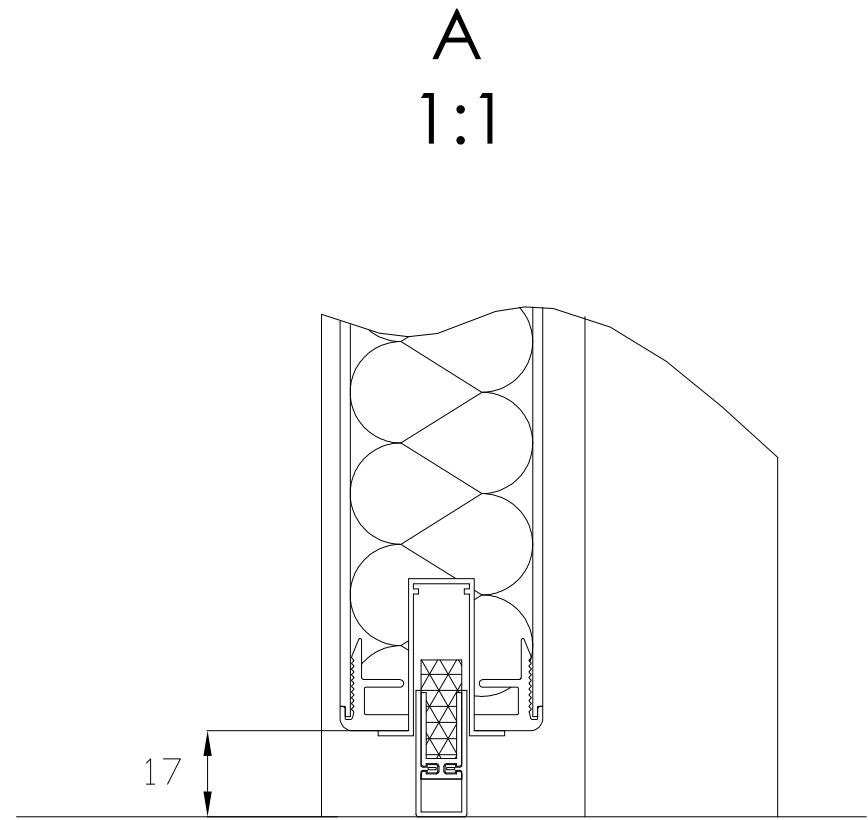
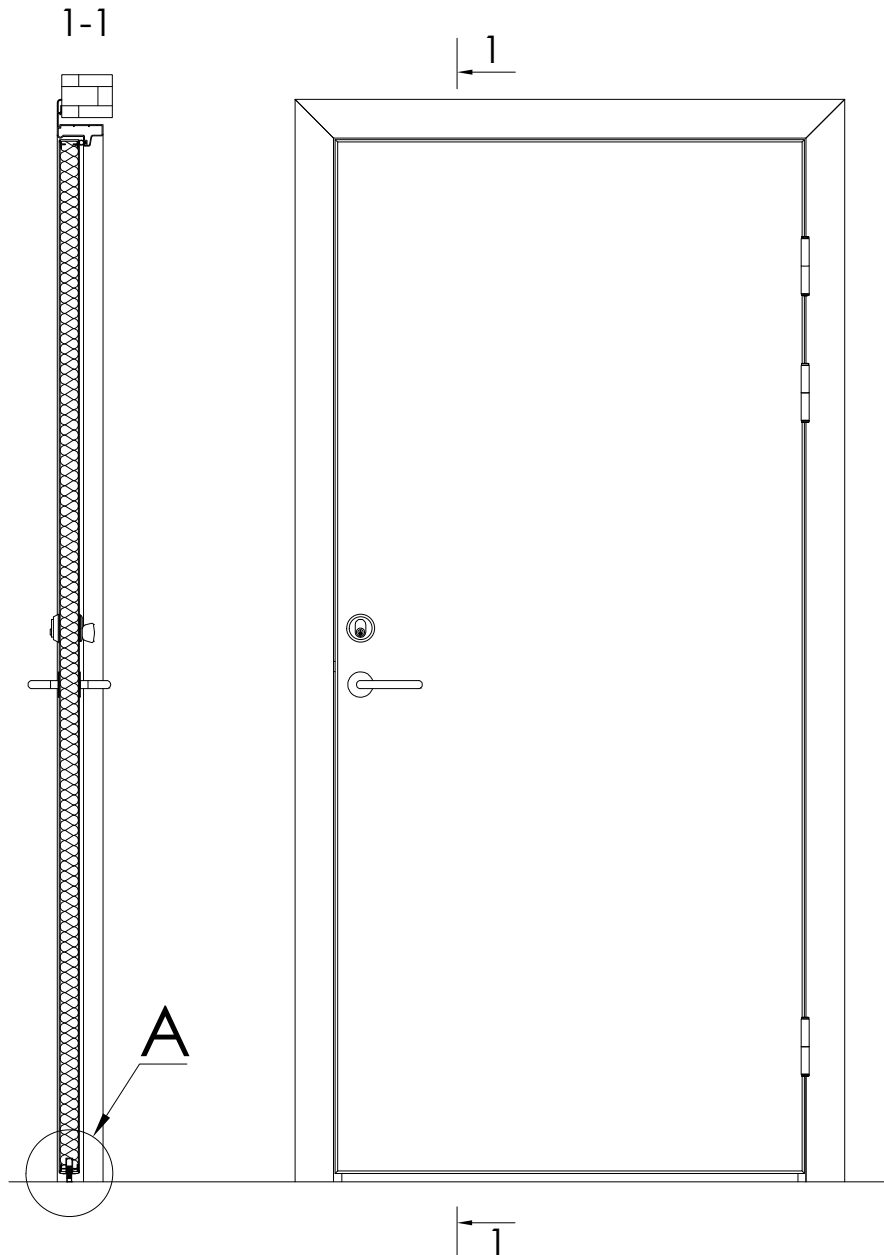
Drawn by:  
 A.DZIEWIALTOWSKI

Scale:  
 1:10

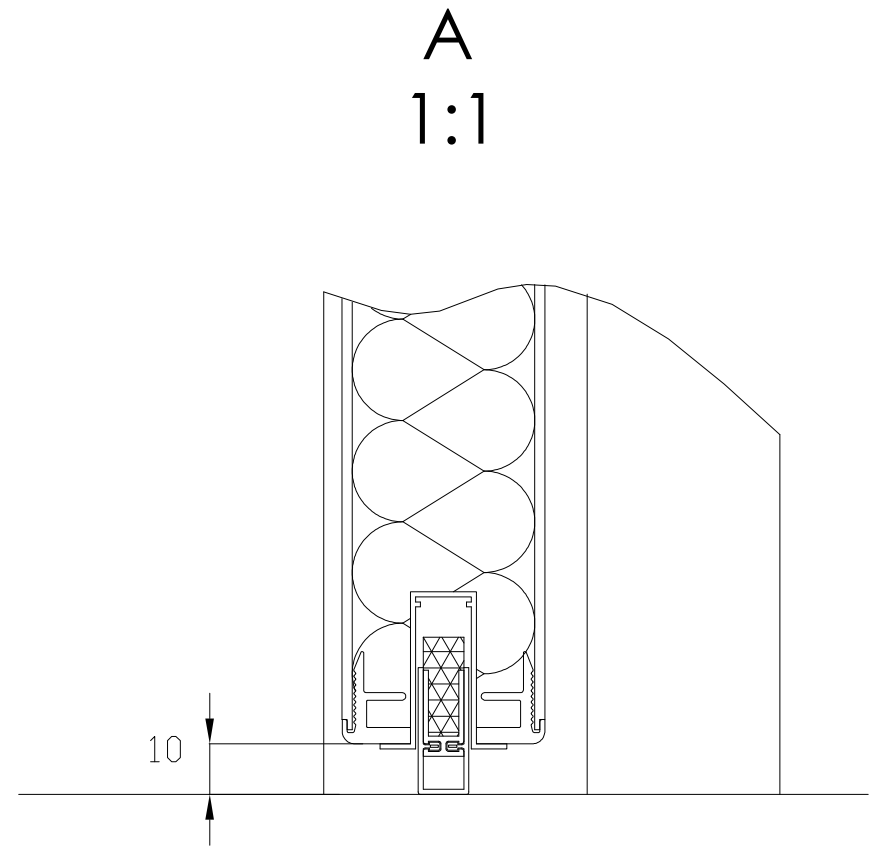
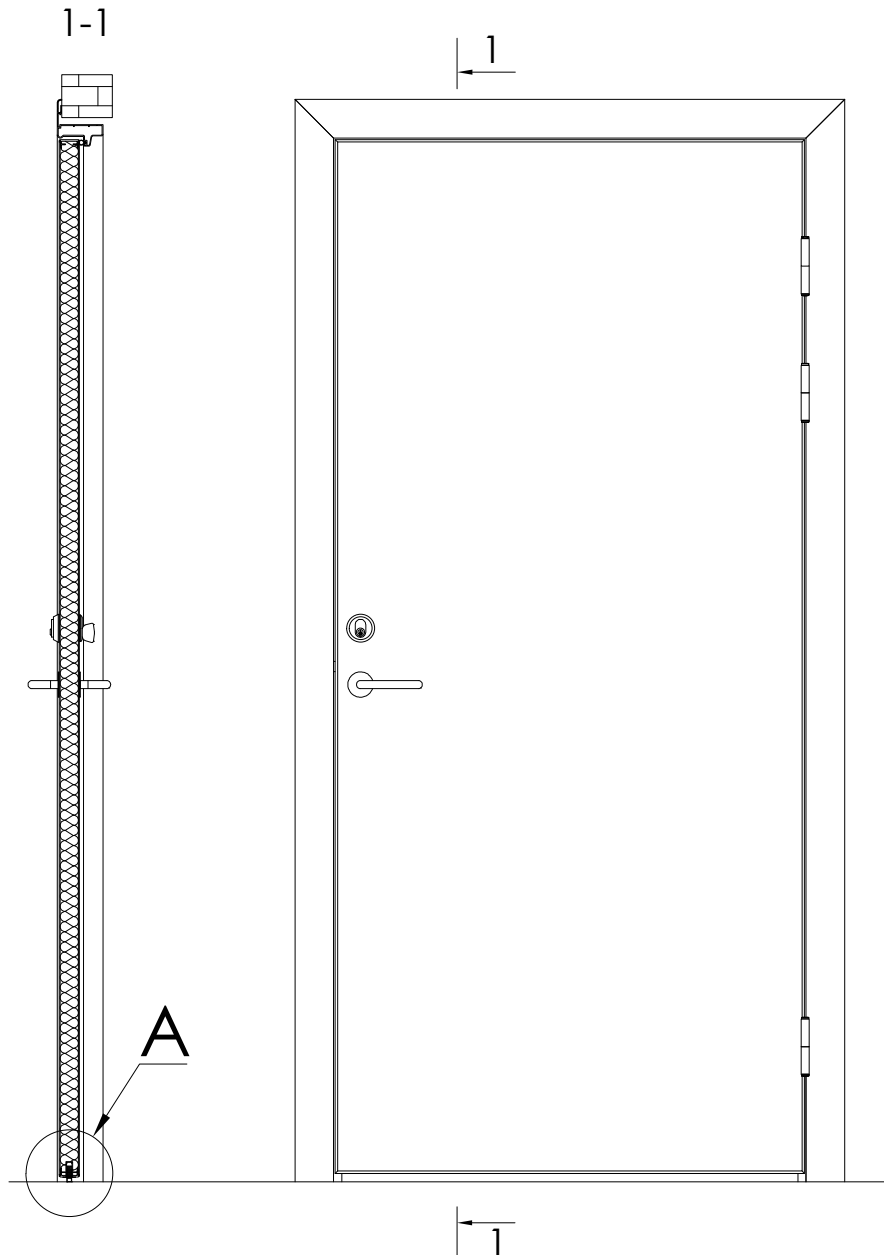
Drawing number:  
 500-058-41

Print format:  
 A3

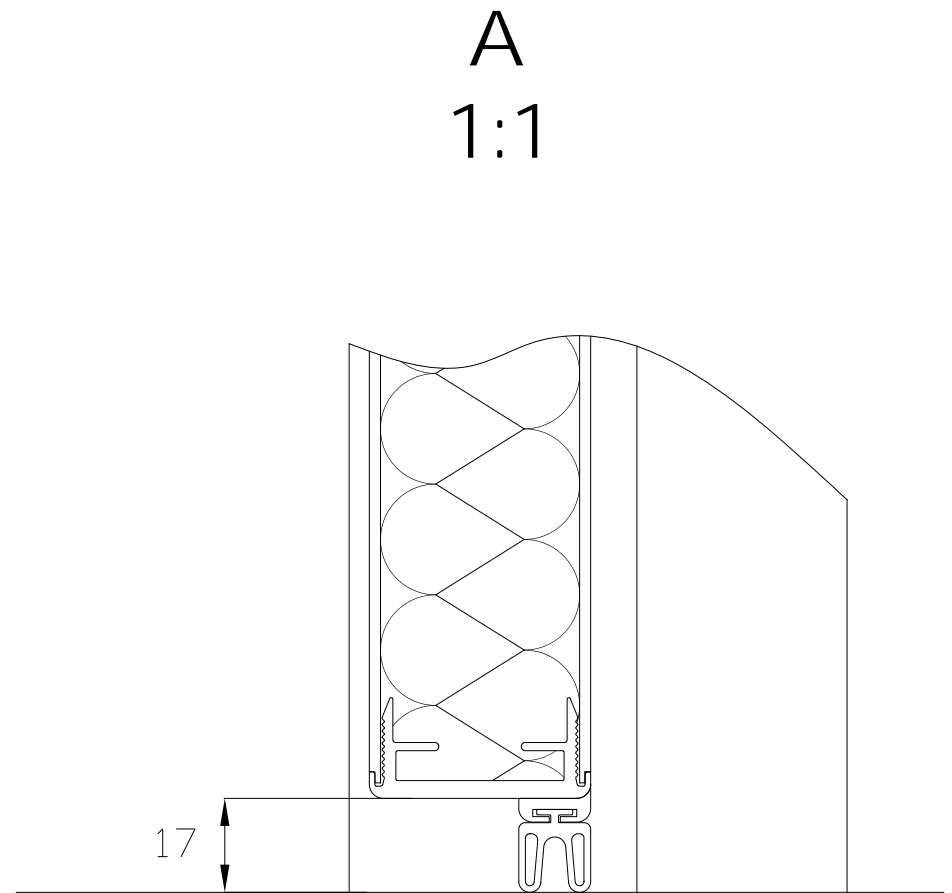
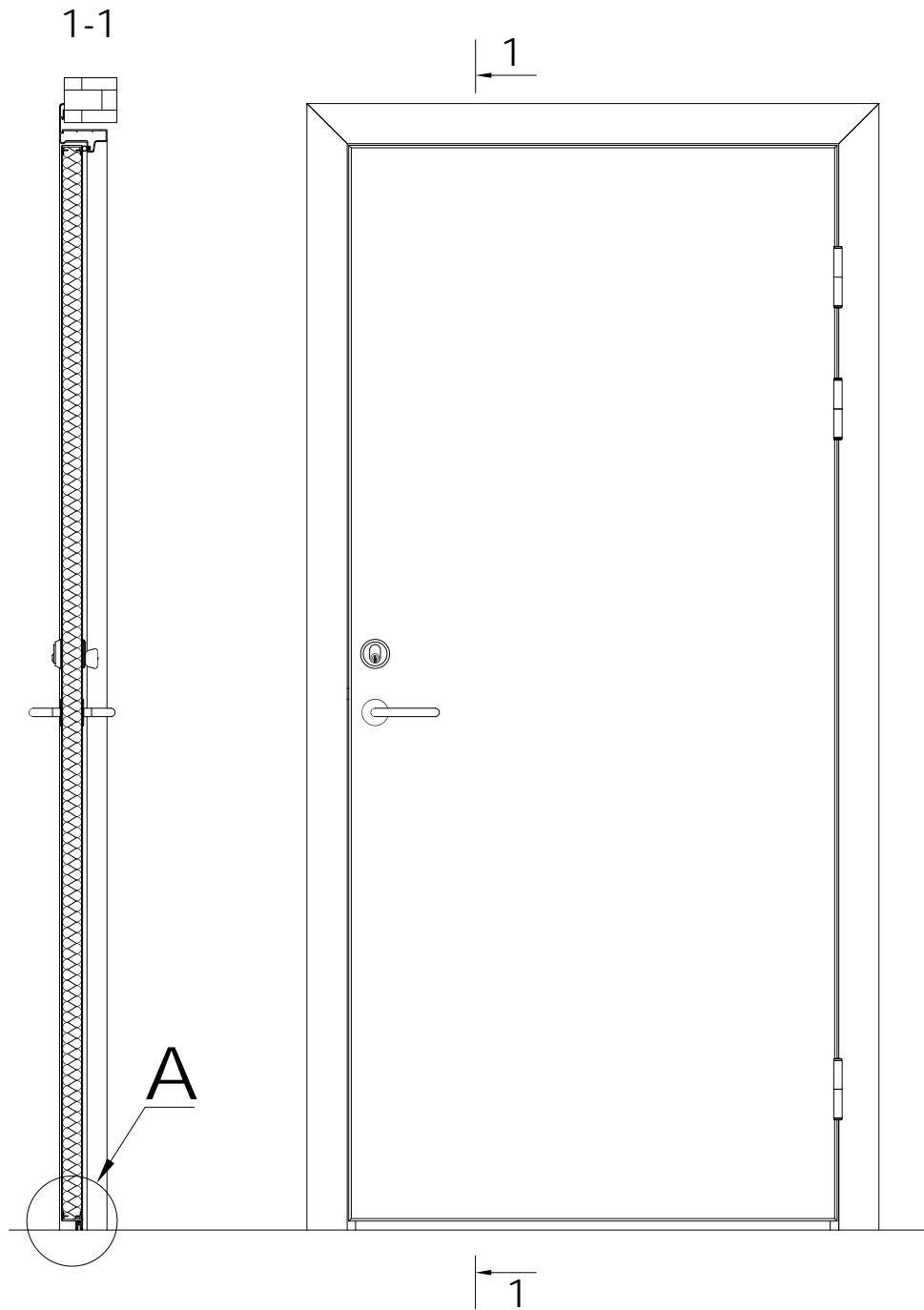
Revision:  
 00



	Contact address: THERMOD AB Söderborgsvägen 32 SE-671 95 Klässbol, Sweden tel. (0)570 72 74 70 fax. (0)570 72 74 71 info@thermod.se		Drawing name: ID, Planet FT automatic gasket, gap 17mm		Drawing number: 500-058-21	
	Date: 03-02-2016	Drawn by: A.DZIEWIALTOWSKI	Scale: 1:10	Print format: A3	Revision: 00	



	Contact address: THERMOD AB Söderborgsvägen 32 SE-671 95 Klässbol, Sweden tel. (0)570 72 74 70 fax. (0)570 72 74 71 info@thermod.se		Drawing name: ID, Planet FT automatic gasket, gap 10mm		Drawing number: 500-058-22	
	Date: 03-02-2016	Drawn by: A.DZIEWIALTOWSKI	Scale: 1:10	Print format: A3	Revision: 00	



Contact address:  
 THERMOD AB  
 Söderborgsvägen 32  
 SE-671 95 Klässbol, Sweden  
 tel. (0)570 72 74 70  
 fax. (0)570 72 74 71  
 info@thermod.se

Drawing name:  
 ID, gap 17mm, S01-ID  
 gasket on the inner side

Date:  
 16-04-2018

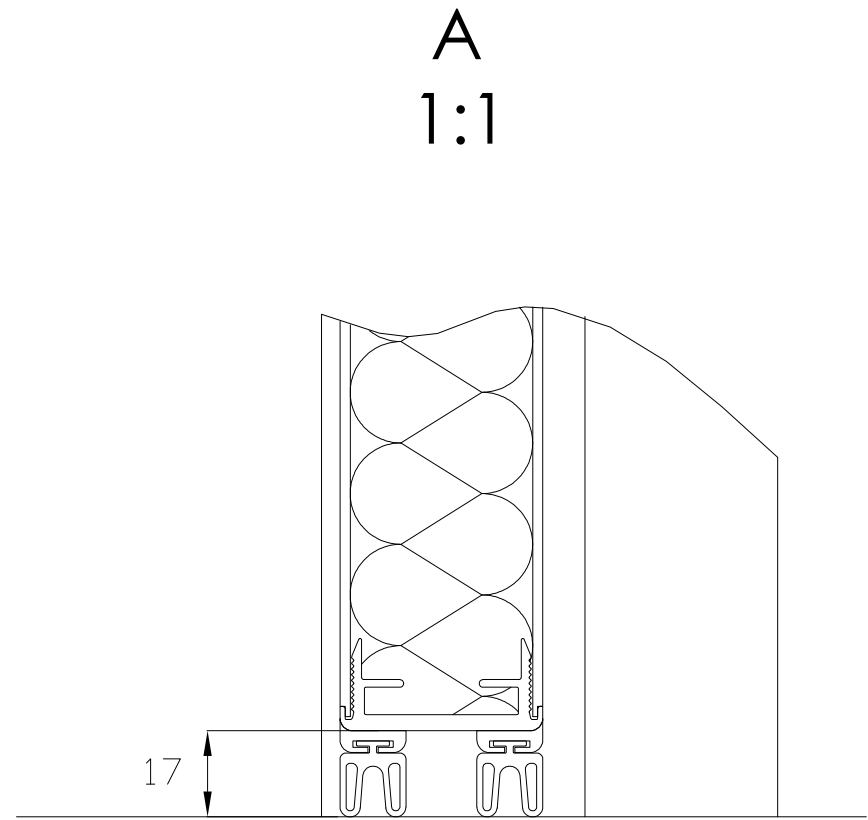
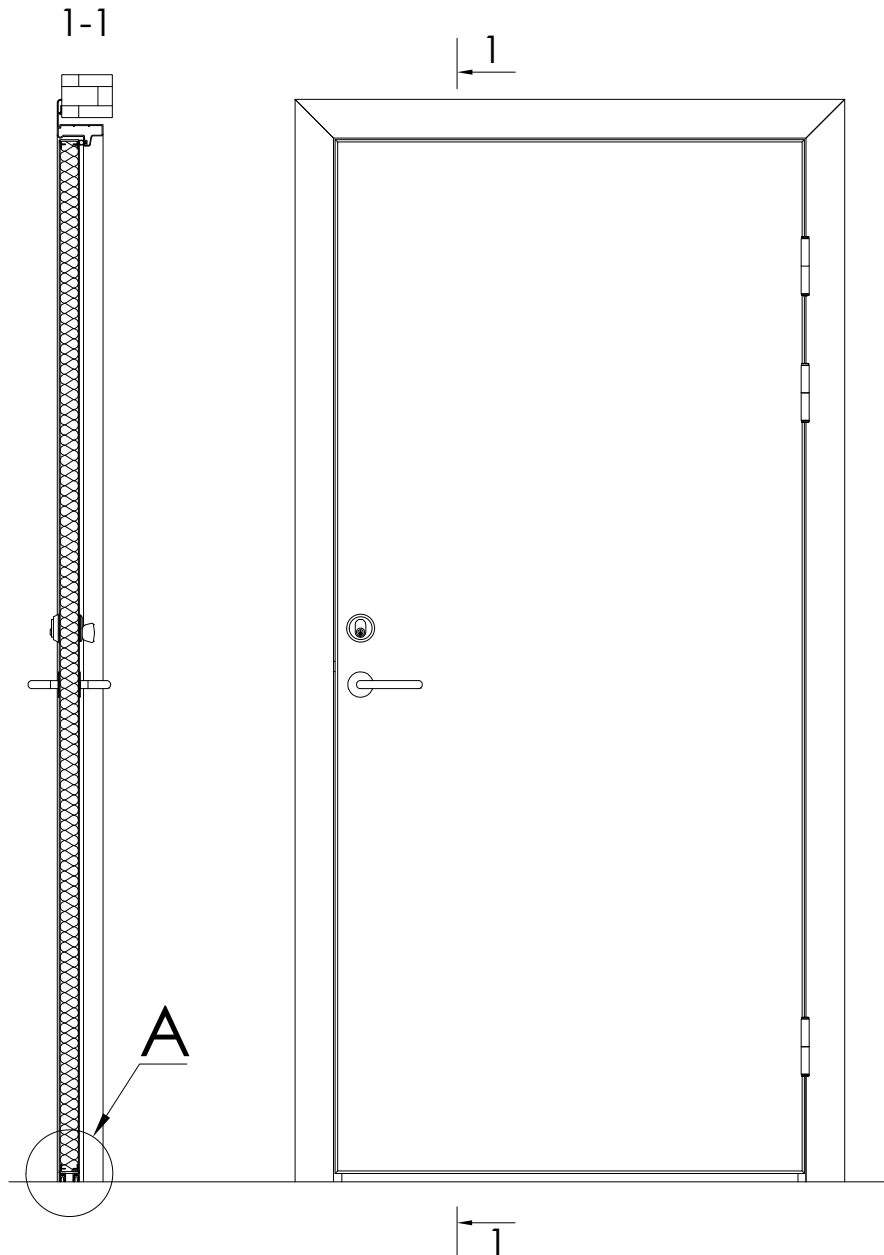
Drawn by:  
 A.DZIEWIALTOWSKI


Scale:  
 1:10

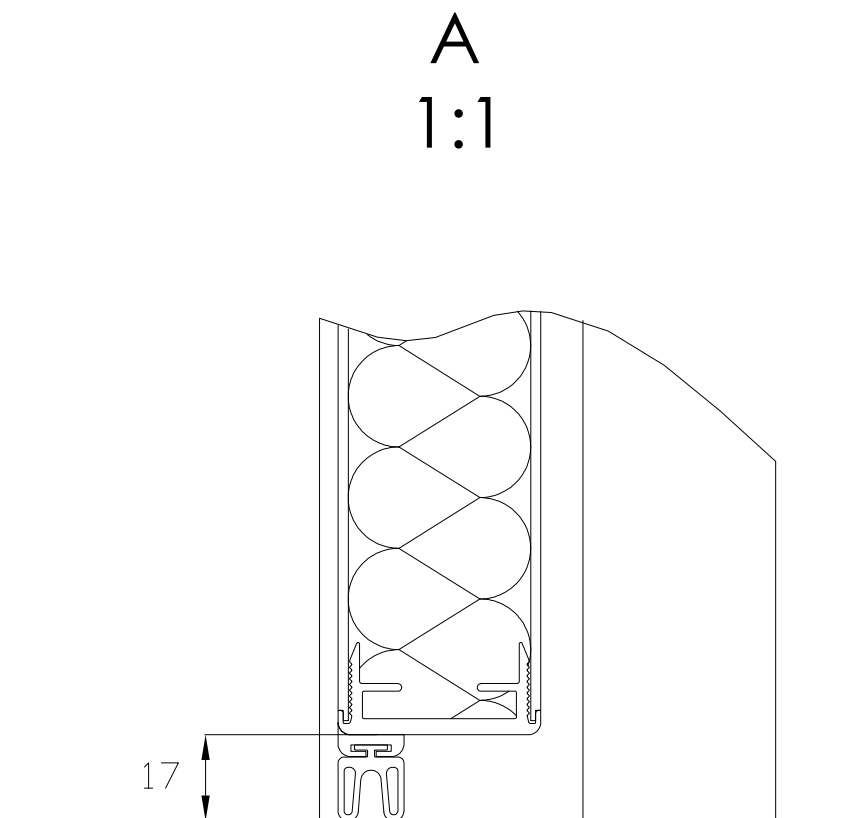
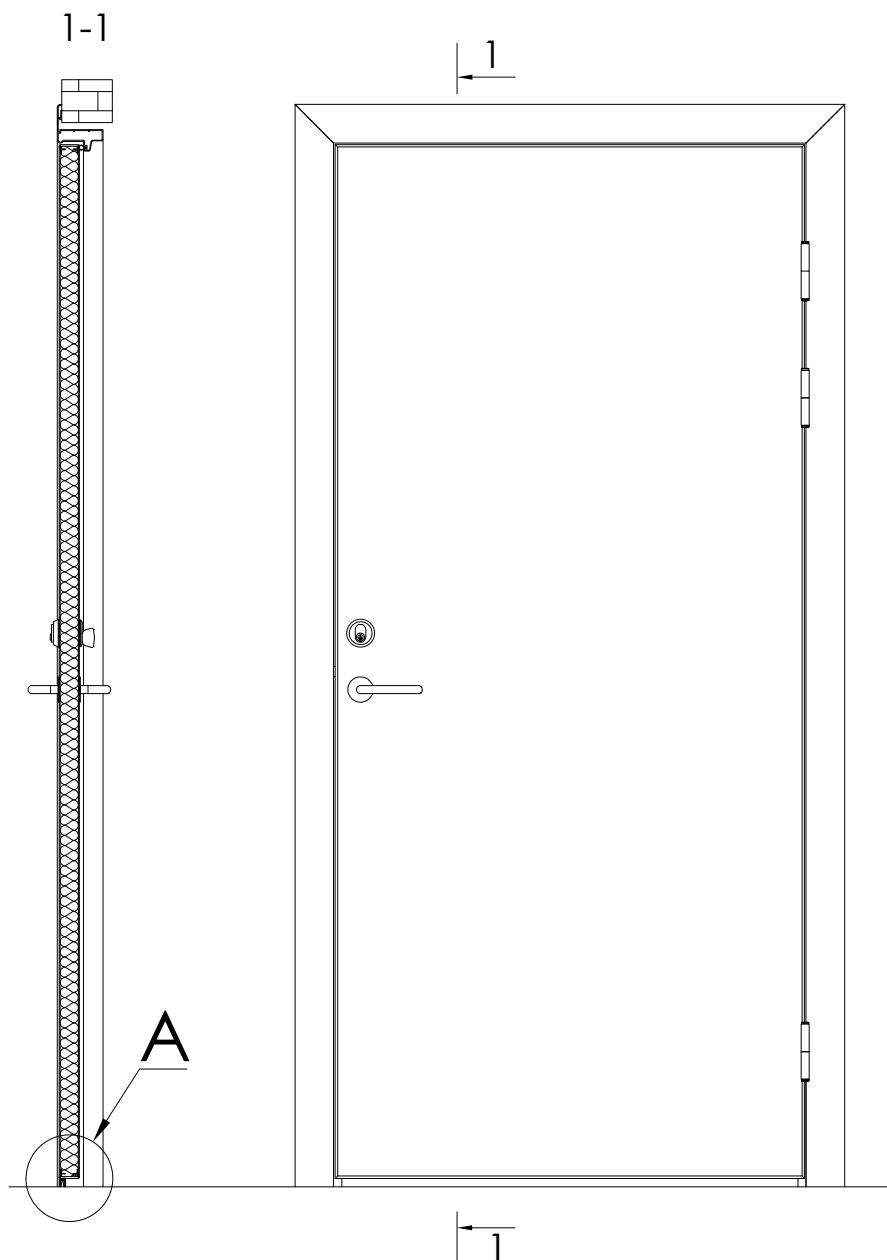
Drawing number:  
 500-058-13

Print format:  
 A3

Revision:  
 00



	Contact address: THERMOD AB Söderborgsvägen 32 SE-671 95 Klässbol, Sweden tel. (0)570 72 74 70 fax. (0)570 72 74 71 info@thermod.se		Drawing name: ID, gap 17mm, double S01-ID gasket		Drawing number: 500-058-12	
	Date: 03-02-2016	Drawn by: A.DZIEWIALTOWSKI	Scale: 1:10	Print format: A3	Revision: 00	



Contact address:  
 THERMOD AB  
 Söderborgsvägen 32  
 SE-671 95 Klässbol, Sweden  
 tel. (0)570 72 74 70  
 fax. (0)570 72 74 71  
 info@thermod.se

Drawing name:  
 ID, gap 17mm, S01-ID  
 gasket

Date:  
 03-02-2016

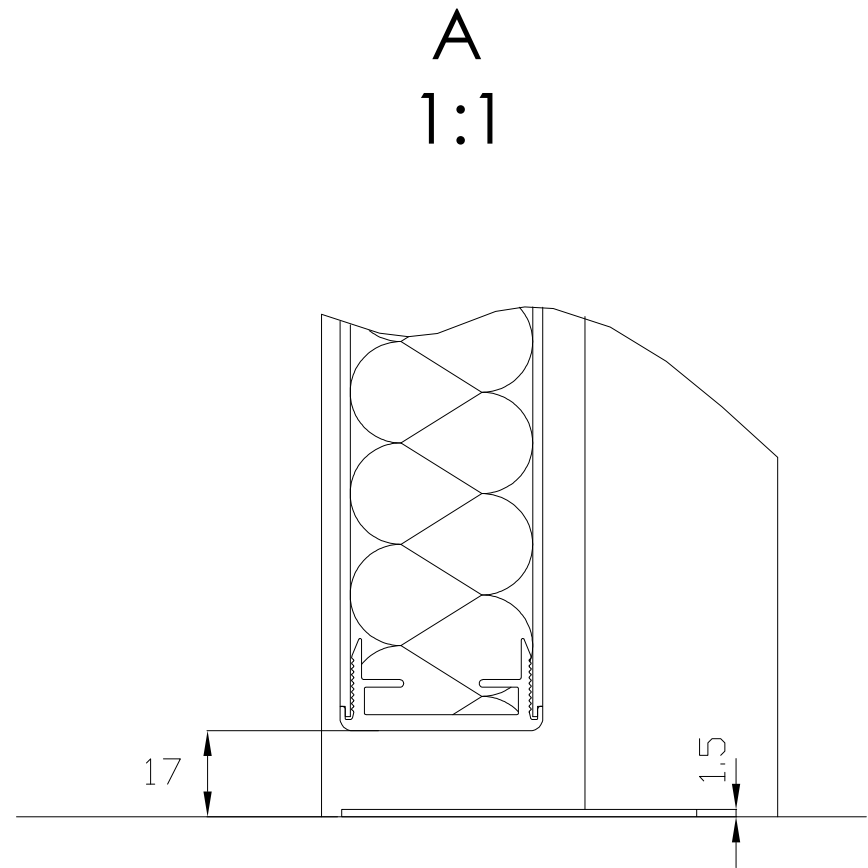
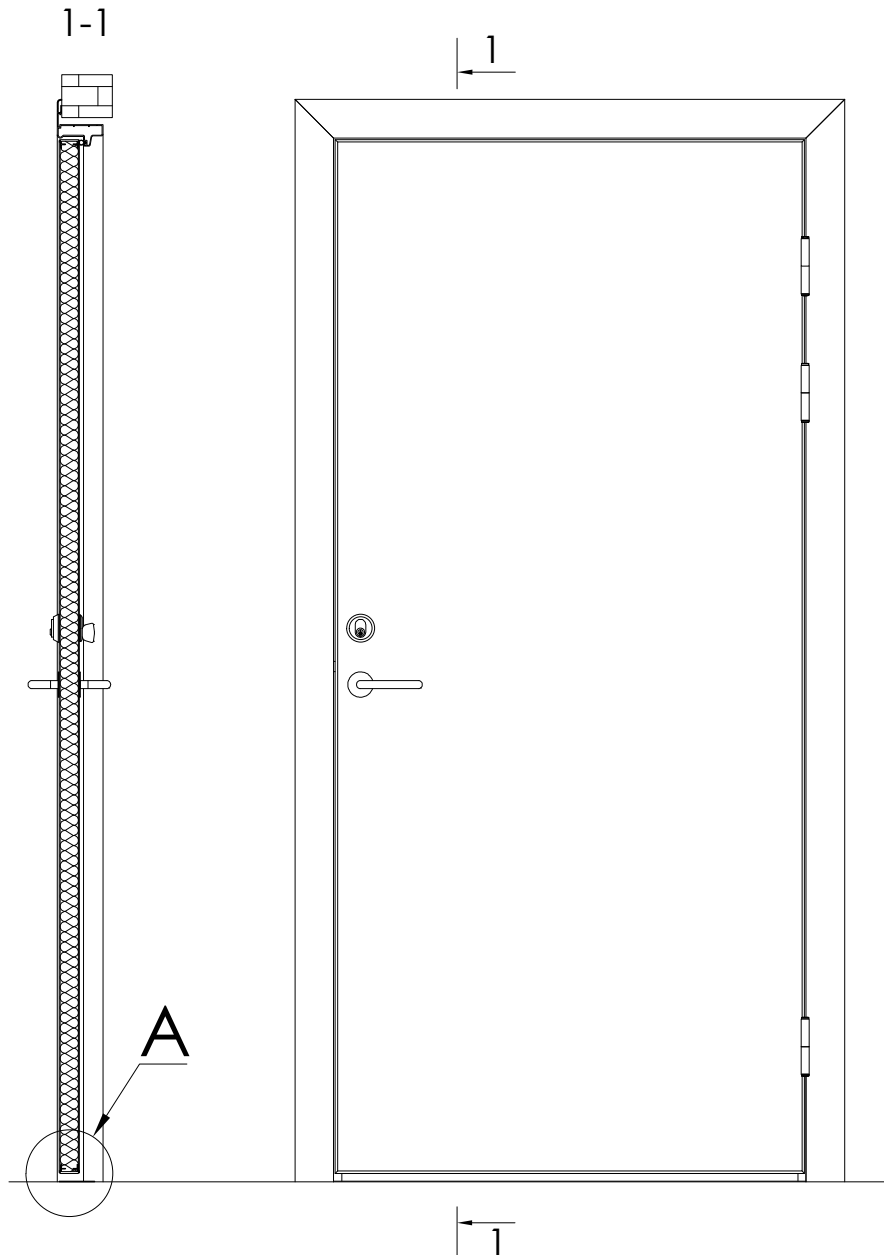
Drawn by:  
 A.DZIEWIALTOWSKI


Scale:  
 1:10

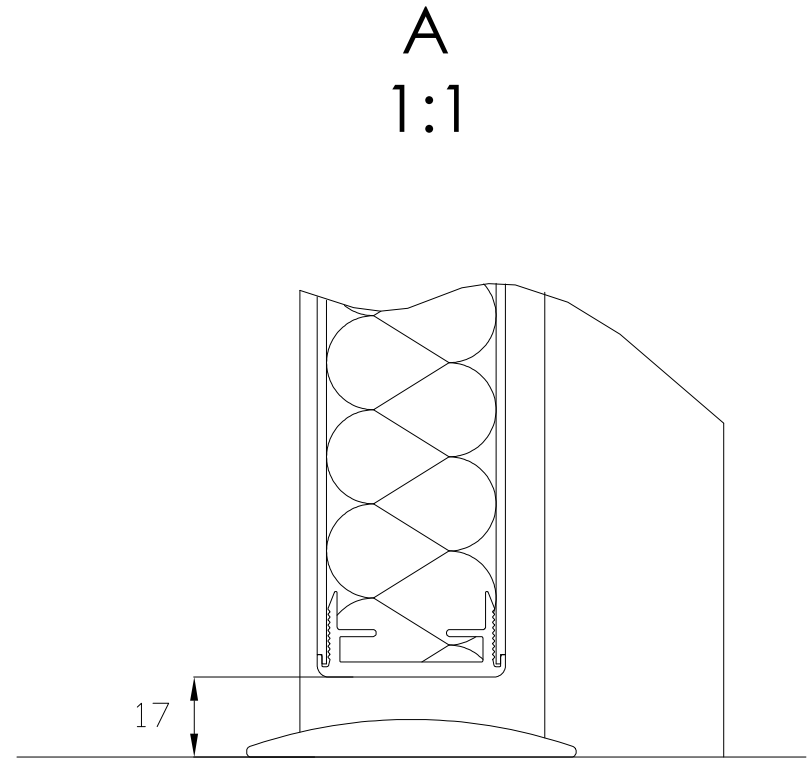
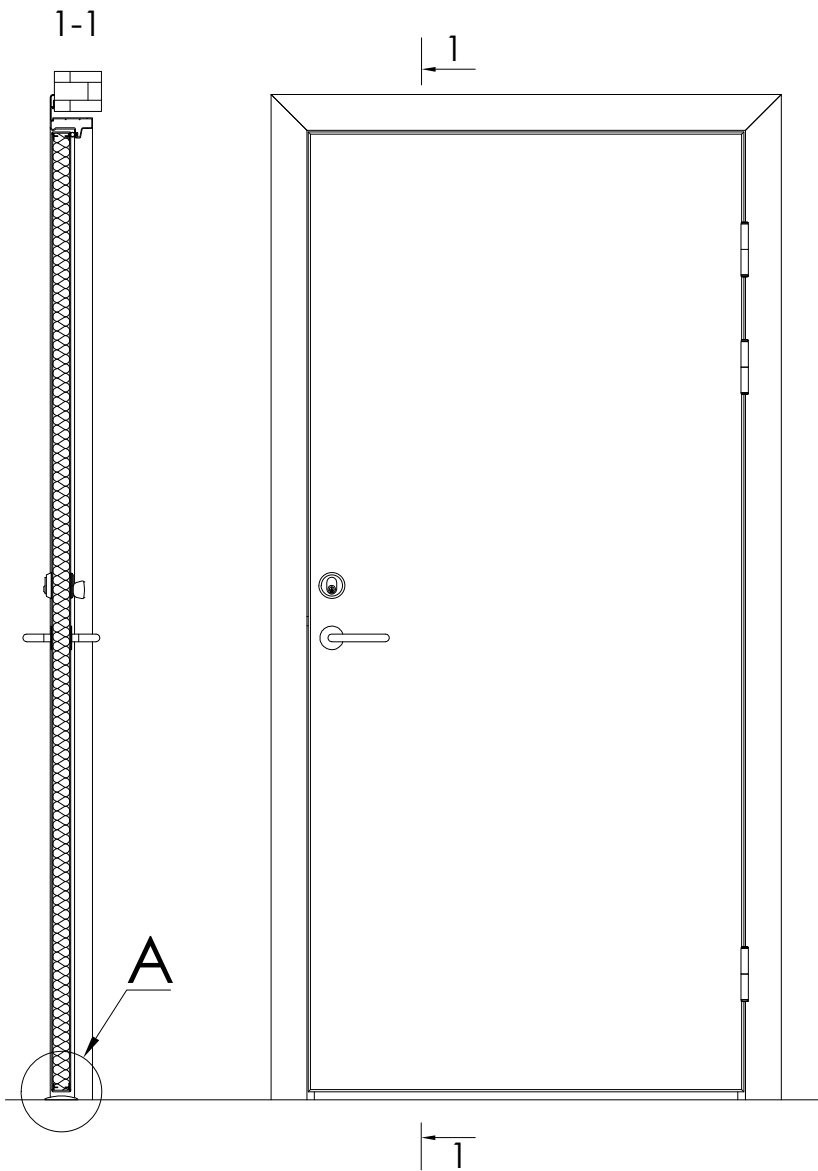
Print format:  
 A3


Revision:  
 00

Drawing number:  
 500-058-11

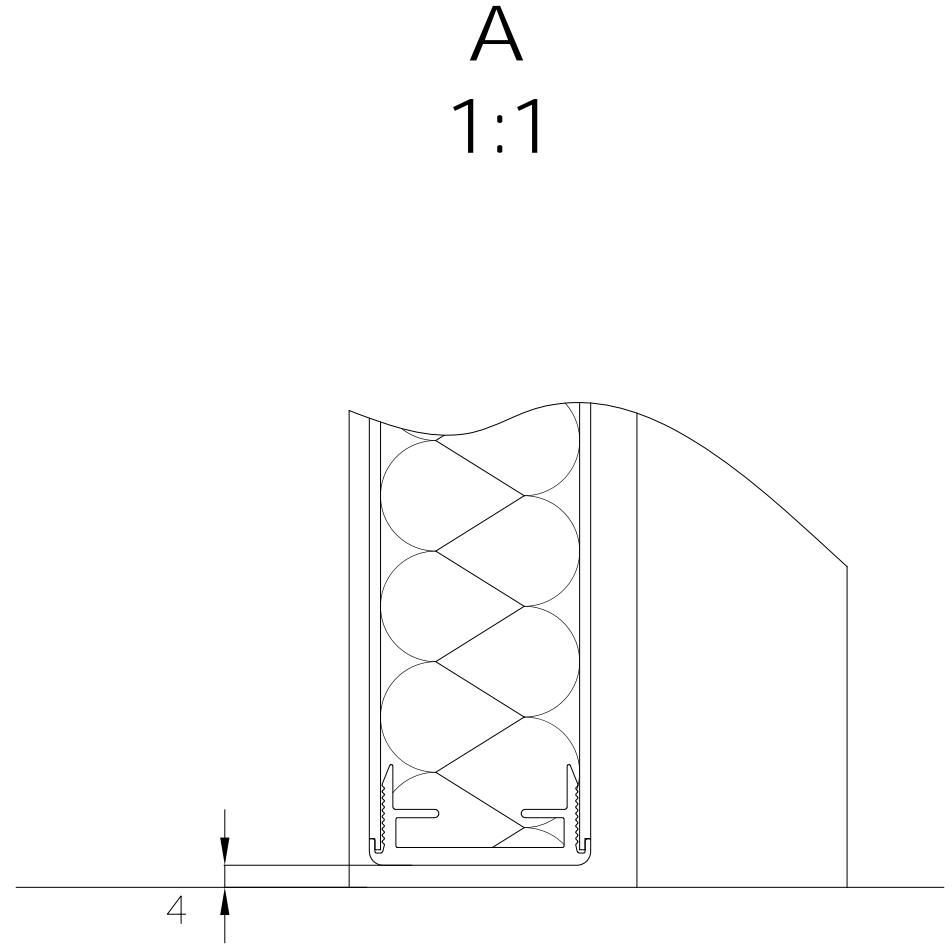
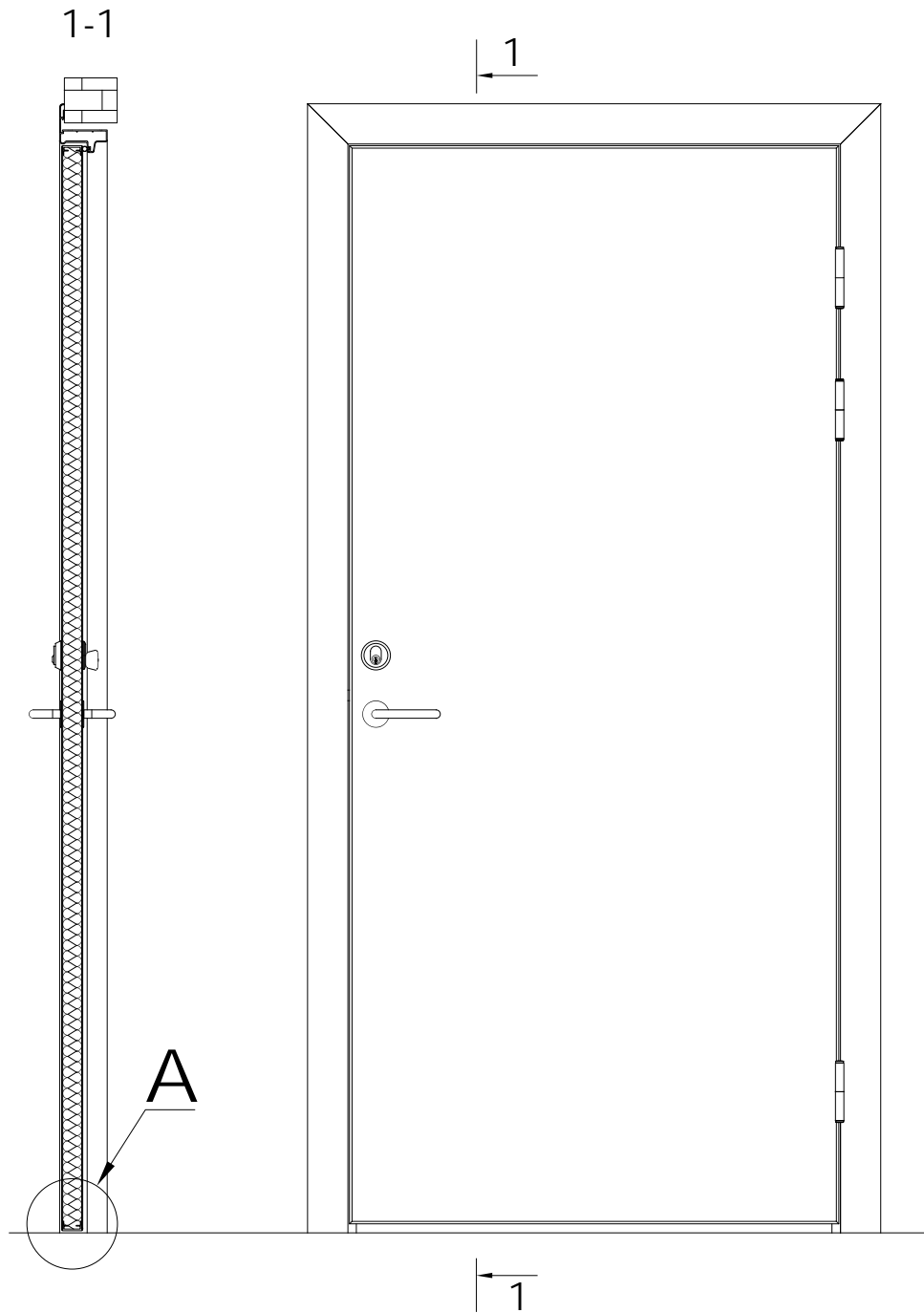


	Contact address: THERMOD AB Söderborgsvägen 32 SE-671 95 Klässbol, Sweden tel. (0)570 72 74 70 fax. (0)570 72 74 71 info@thermod.se		Drawing name: <b>ID, Flat stainless threshold</b>		Drawing number: <b>500-058-33</b>	
	Date: <b>03-02-2016</b>	Drawn by: A.DZIEWIALTOWSKI	Scale: <b>1:10</b>	Print format: <b>A3</b>	Revision: <b>00</b>	



	Contact address: THERMOD AB Söderborgsvägen 32 SE-671 95 Klässbol, Sweden tel. (0)570 72 74 70 fax. (0)570 72 74 71 info@thermod.se		Drawing name: <b>ID, Rubber threshold</b>		Drawing number: <b>500-058-51</b>	
	Date: <b>03-02-2016</b>	Drawn by: A.DZIEWIALTOWSKI	Scale: <b>1:10</b>	Print format: <b>A3</b>	Revision: <b>00</b>	





Contact address:  
 THERMOD AB  
 Söderborgsvägen 32  
 SE-671 95 Klässbol, Sweden  
 tel. (0)570 72 74 70  
 fax. (0)570 72 74 71  
 info@thermod.se

Drawing name:  
 ID, gap 4m

Date:  
 03-02-2016

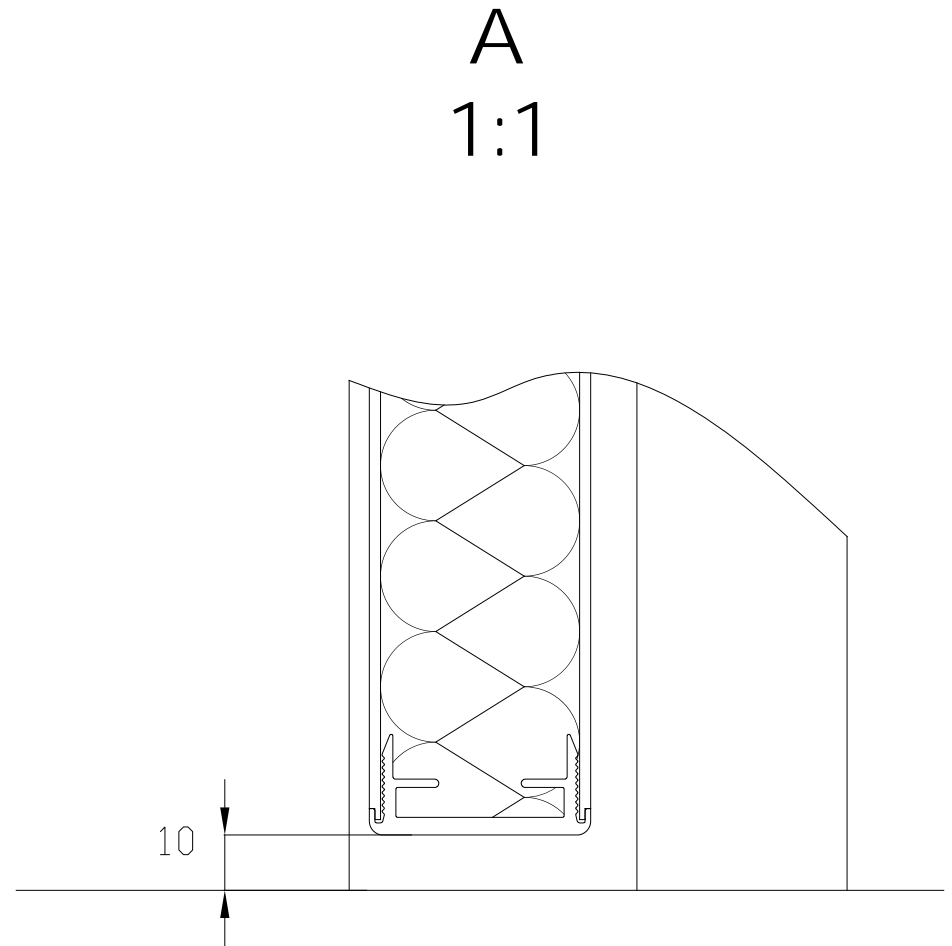
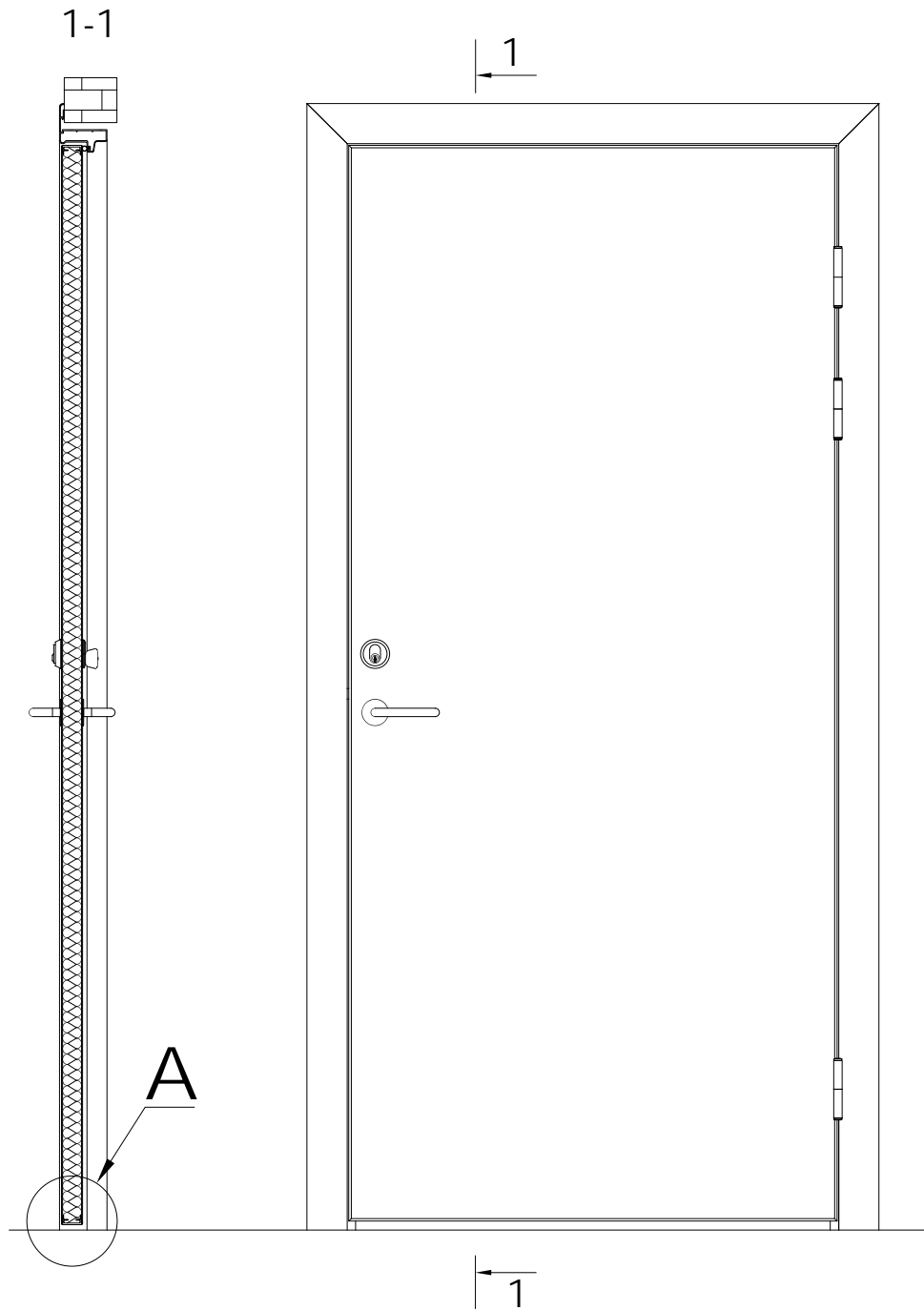
Drawn by:  
 A.DZIEWIALTOWSKI

Scale:  
 1:10

Drawing number:  
 500-058-03

Print format:  
 A3

Revision:  
 00



Contact address:  
 THERMOD AB  
 Söderborgsvägen 32  
 SE-671 95 Klässbol, Sweden  
 tel. (0)570 72 74 70  
 fax. (0)570 72 74 71  
 info@thermod.se

Drawing name:  
 ID, gap 10mm

Drawing number:  
 500-058-02

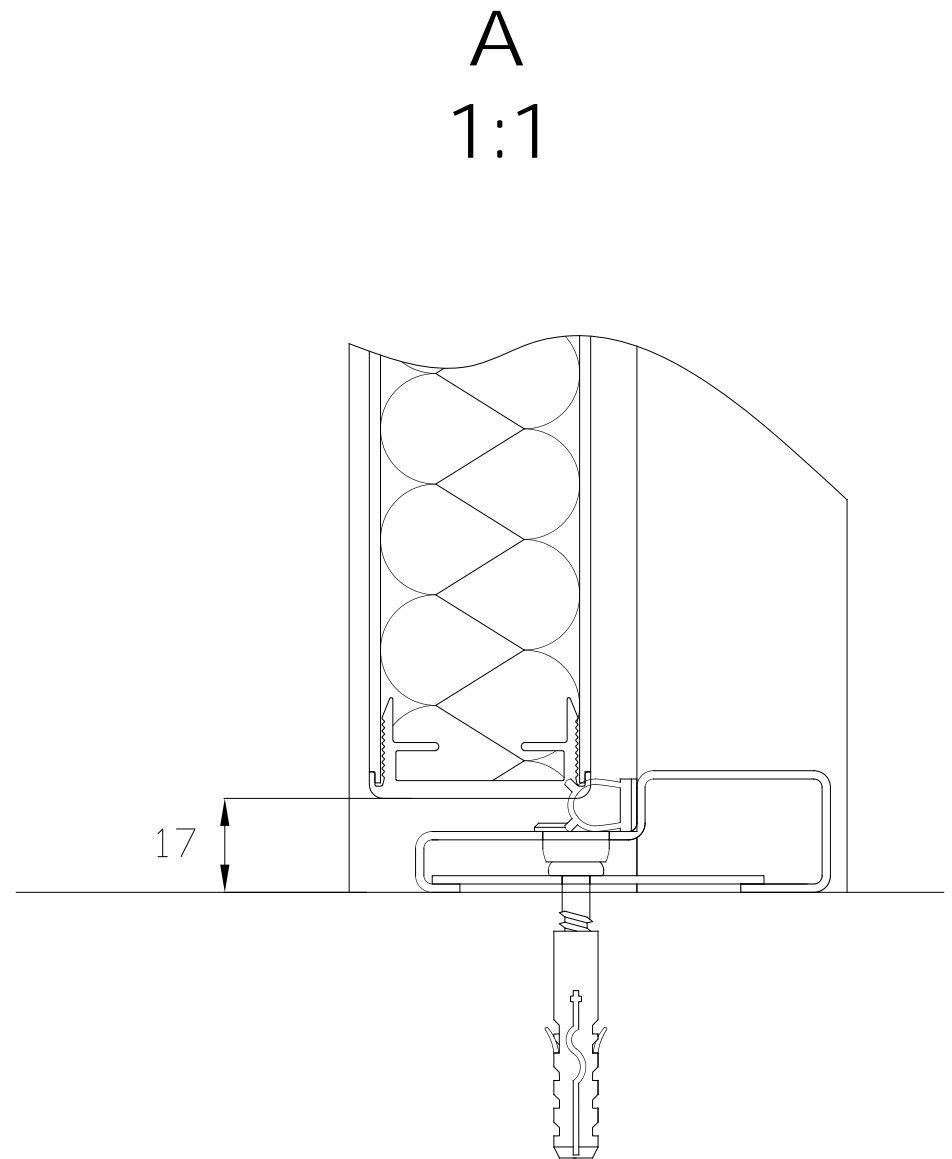
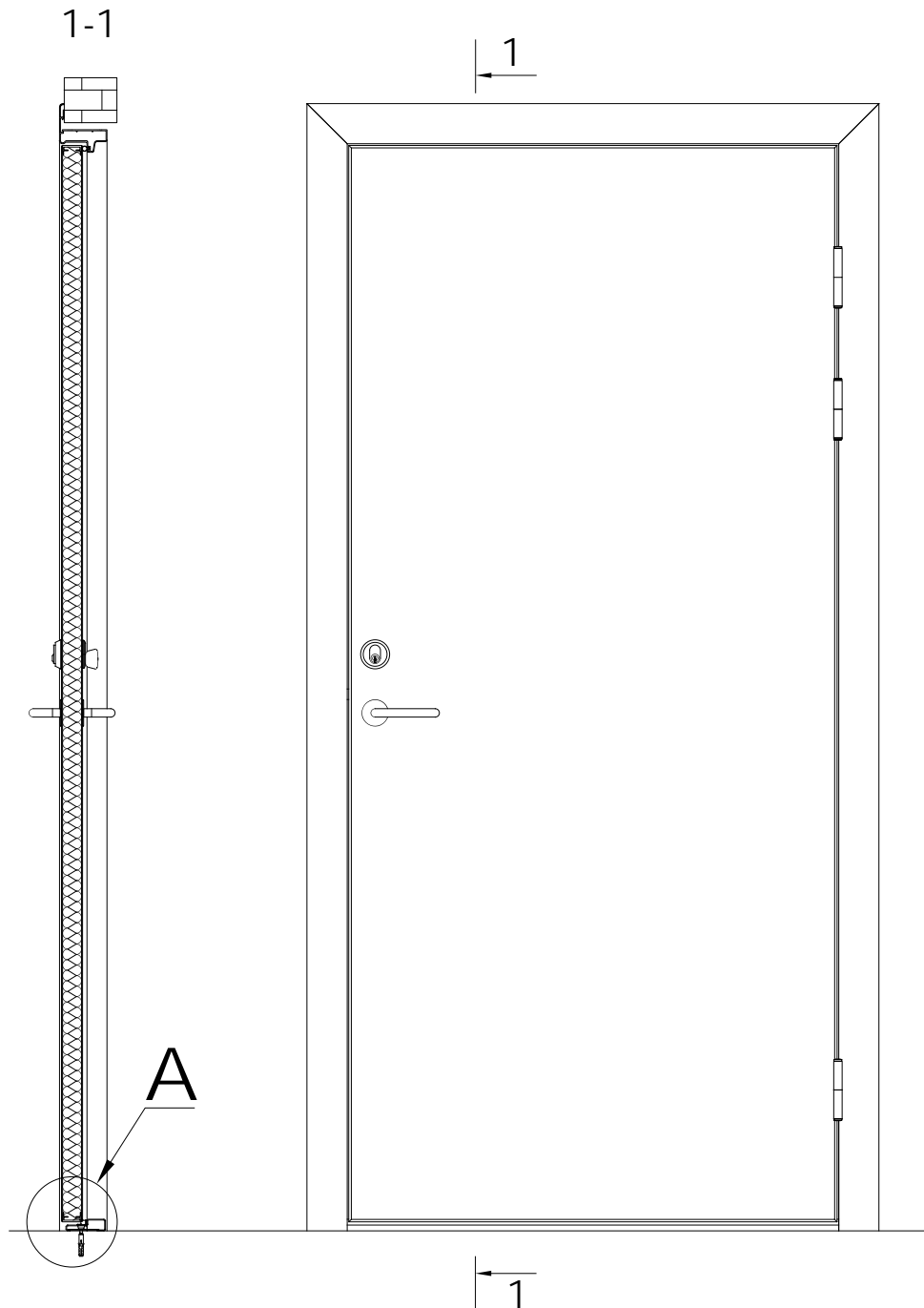
Date:  
 03-02-2016

Drawn by:  
 A.DZIEWIALTOWSKI

Scale:  
 1:10

Print format:  
 A3

Revision:  
 00



Contact address:  
**THERMOD AB**  
 Söderborgsvägen 32  
 SE-671 95 Klässbol, Sweden  
 tel. (0)570 72 74 70  
 fax. (0)570 72 74 71  
 info@thermod.se

Drawing name:  
**ID, Stainless steel threshold**

Drawing number:  
**500-058-32**

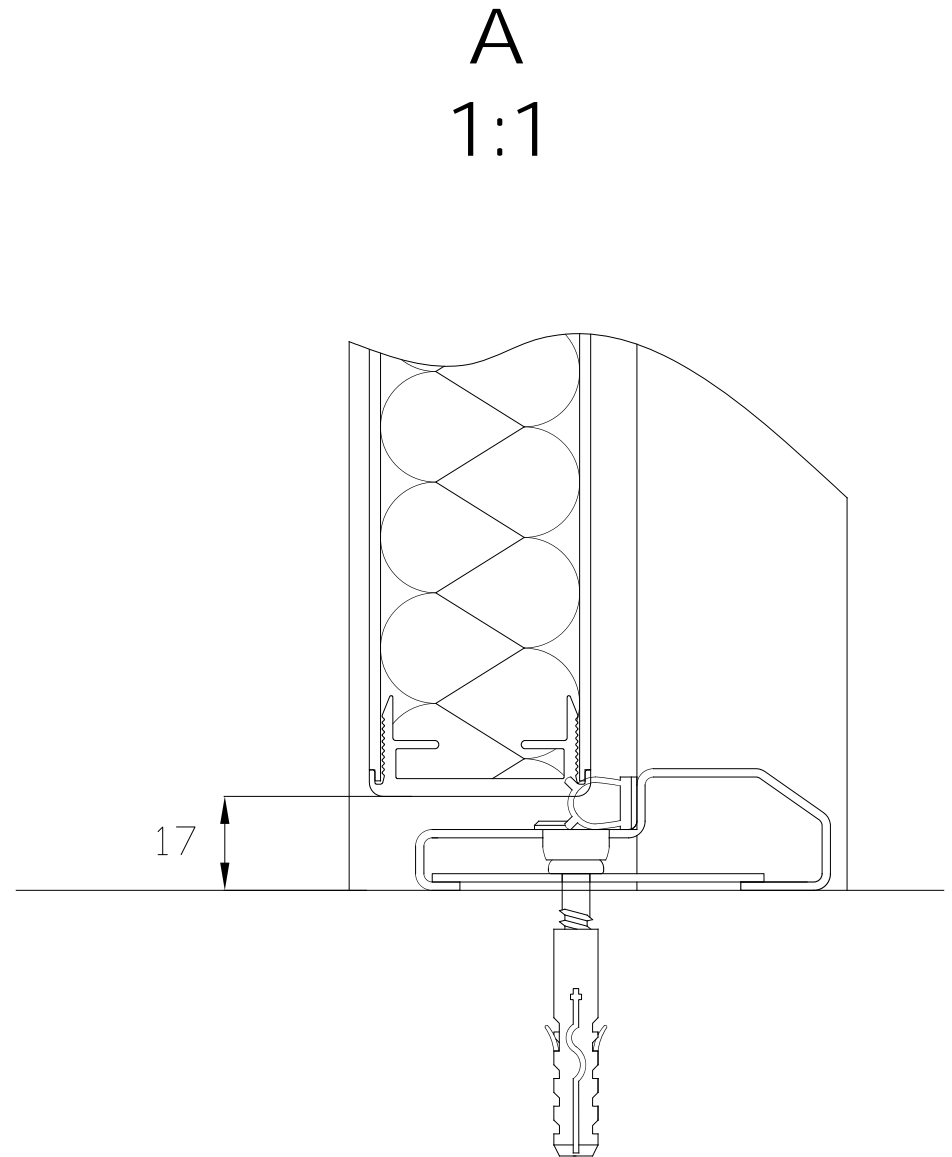
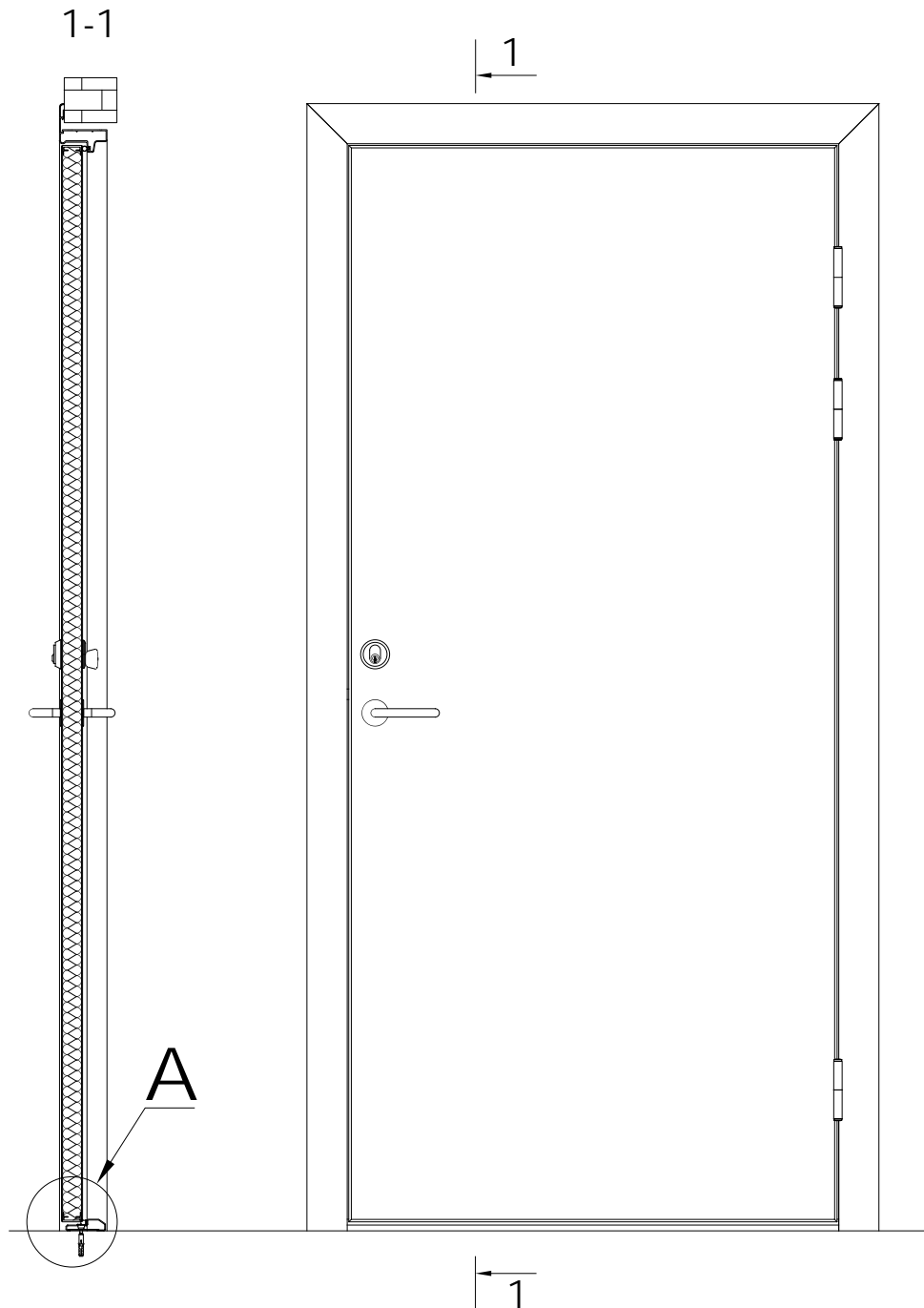
Date:  
**21-06-2016**

Drawn by:  
 E.Malczak

Scale:  
**1:10**

Print format:  
**A3**

Revision:  
**01**



Contact address:  
**THERMOD AB**  
 Söderborgsvägen 32  
 SE-671 95 Klässbol, Sweden  
 tel. (0)570 72 74 70  
 fax. (0)570 72 74 71  
 info@thermod.se

Drawing name:  
**ID, HWC threshold**

Drawing number:  
**500-058-31**

Date:  
**21-06-2016**

Drawn by:  
 E.Malczak

Scale:  
**1:10**

Print format:  
**A3**

Revision:  
**01**